



NER GROUP CO.,LIMITED

Yantai Bonway Manufacturer Co.,Ltd



F Series Parallel Shaft Geared Motor

Parameter

Size: F37~F157

Ratio: 3.9~18609

Input power(KW): 0.12~160kw

Main applied for

- ◆ Harbor and shipping
- ◆ Hoist and transport
- ◆ Electric power
- ◆ Coal mining
- ◆ Cement and construction
- ◆ Paper and light industry



K Series Helical-bevel Geared Motor

Parameter

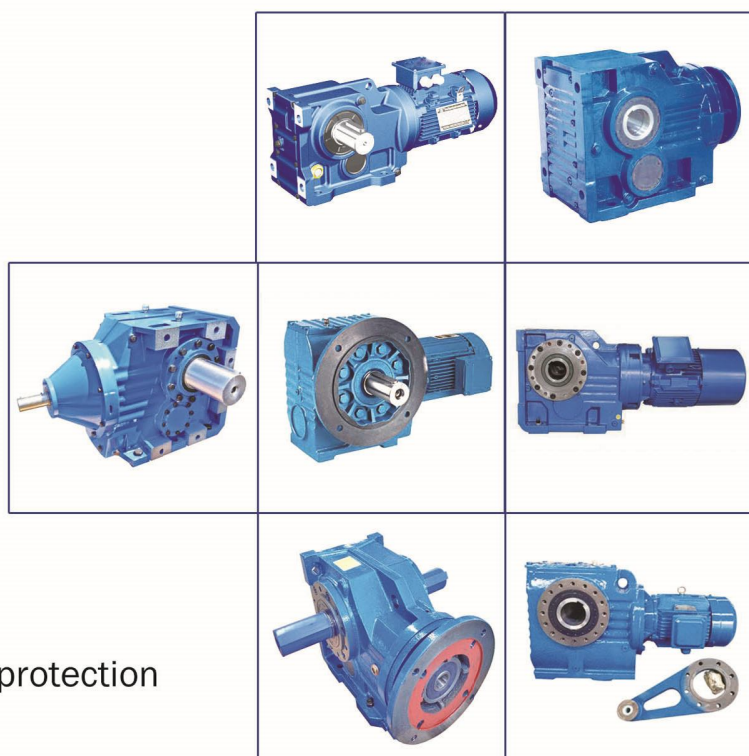
Size: K37~K187

Ratio: 7.6~14901

Input power(KW): 0.12~200kw

Main applied for

- ◆ Harbor and shipping
- ◆ Hoist and transport
- ◆ Electric power
- ◆ Coal mining
- ◆ Cement and construction
- ◆ Paper and light industry
- ◆ Chemical industry and environmental protection



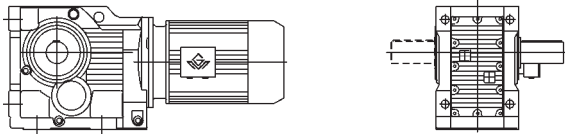
结构型式说明 Dimensional Description

GK 系列输出轴垂直于输入轴,由两级斜齿轮和一级弧齿锥齿轮构成。

Output shafts of GK series geared motors are vertical to input shafts. Each units consist of two stages helical gears and one stage bevel gears.

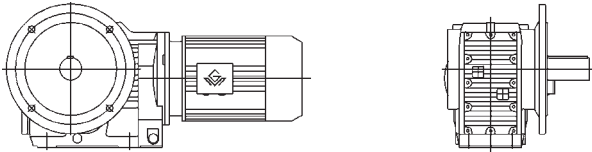
1、GK 型:底脚安装,输出轴为实心轴。

Type GK: Foot mounted Solid output shaft.



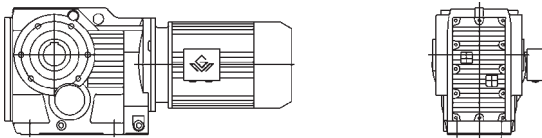
2、GKF 型:B5 法兰安装,输出轴为实心轴。

Type GKF: B5 flange mounted Solid output shaft.



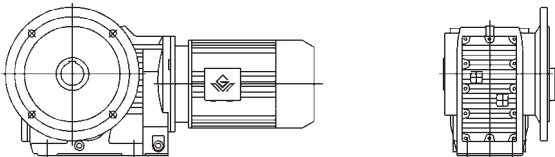
3、GKA 型:轴装式,输出轴为空心轴。

Type GKA: Shaft mounted. Hollow output shaft.



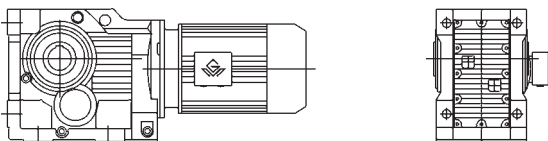
4、GKAF 型:B5 法兰安装,输出轴为空心轴。

Type GKAF: B5 flange mounted. Hollow output shaft.



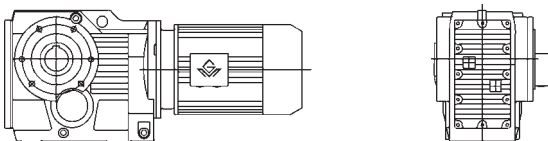
5、GKAB/GKHB 型:用 GK 型箱体,输出轴为空心轴。

Type GKAB/GKHB: Housings of type GK are used. Hollow output shaft.



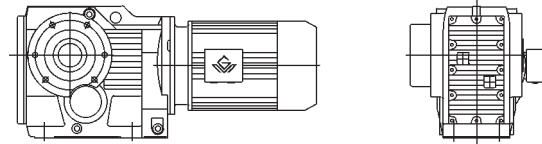
6、GKAZ 型:B14 法兰空心轴安装。

Type GKAZ: B14 flange mounted version with hollow shaft.



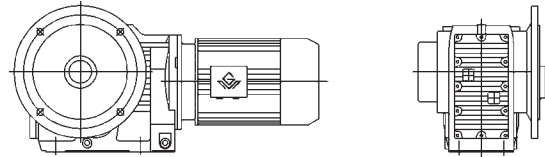
7、GKH 型:空心轴锁紧盘安装。

Type GKH: Hollow shaft and shrink disk.



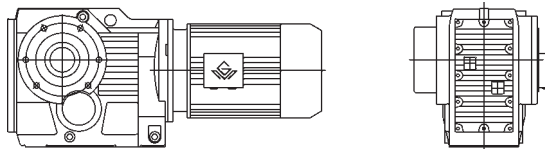
8、GKHF 型:B5 法兰空心轴锁紧盘安装。

Type GKHF: B5 flange-mounted version with hollow shaft and shrink disk.



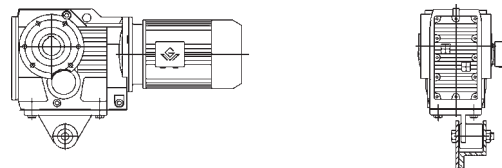
9、GKHZ 型:B14 法兰空心轴锁紧盘安装。

Type GKHZ: B14 flange-mounted version with hollow shaft and shrink disk.



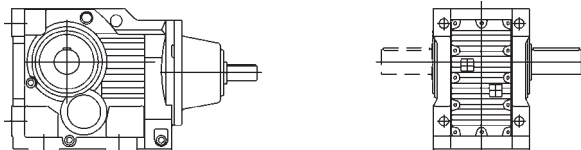
10、GKAT/GKHT 型:即在 GKA/GKH 型上增加防转臂等附件后的派生型。

Type GKAT/GKHT: As altered type from type GKA/GKH, this type is added torque arm and other accessories. Basically, accessories except spring washer do not belong to our standard supply.



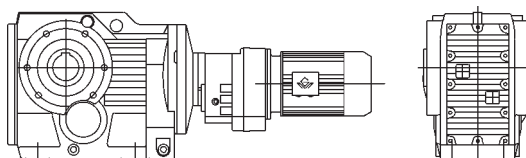
11、GK..SZ..AD..型:输入轴型。

Type GK..SZ..AD..: Input shaft types.

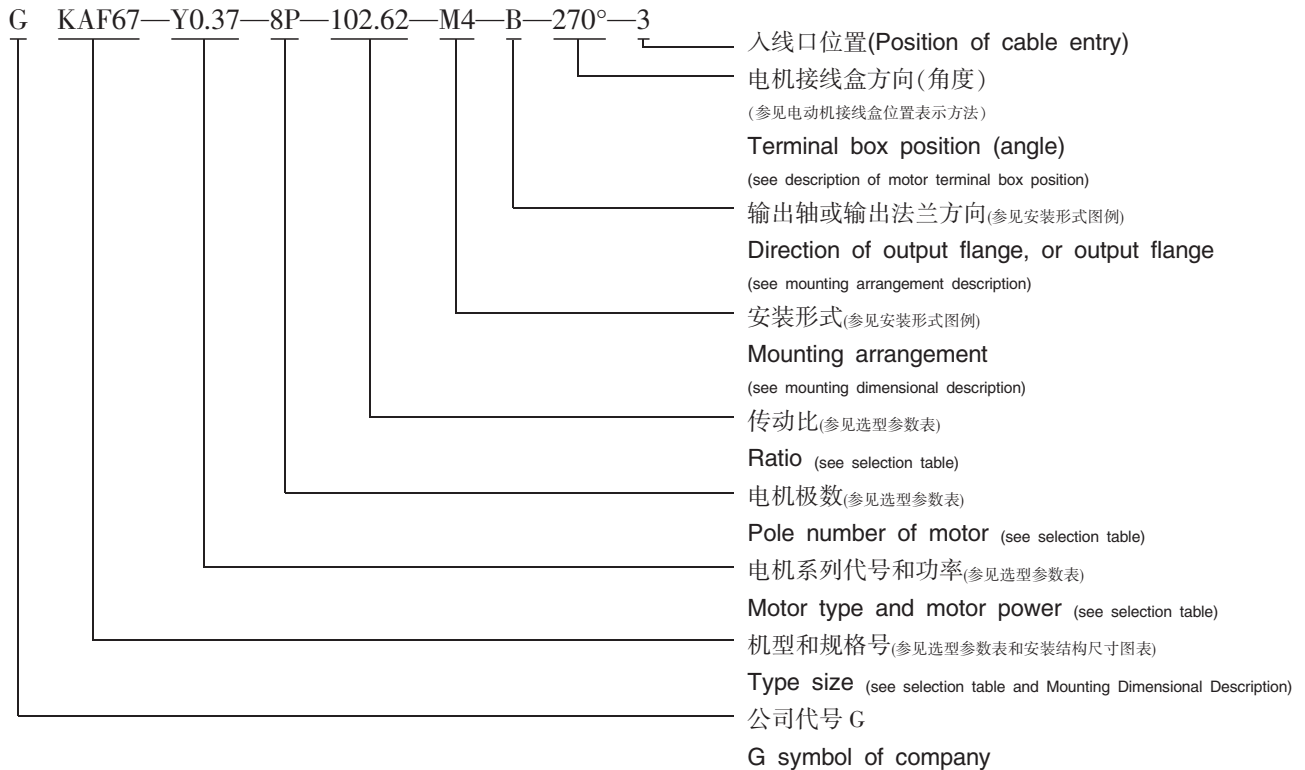


12、GK...R 型:GK 系列和 GR 系列的组合。

Type GK...R: Combined types of type GK and type GR.



GK系列机型号表示方法 Type Expression of GK Series



注:1、需带联接法兰时请注明

2、输入轴型没有电动机各项内容。

3、不注明接线盒方向时,则默认为安装形式中的 0 度位置。不注明入线口位置时,则默认为 X 位置。

4、对输出轴旋转方向和输入轴旋转方向有特别要求的用户,请与技术部联系,并在订货时用简图或文字说明。

Note: 1、Please make a note, if it needs connecting flange.

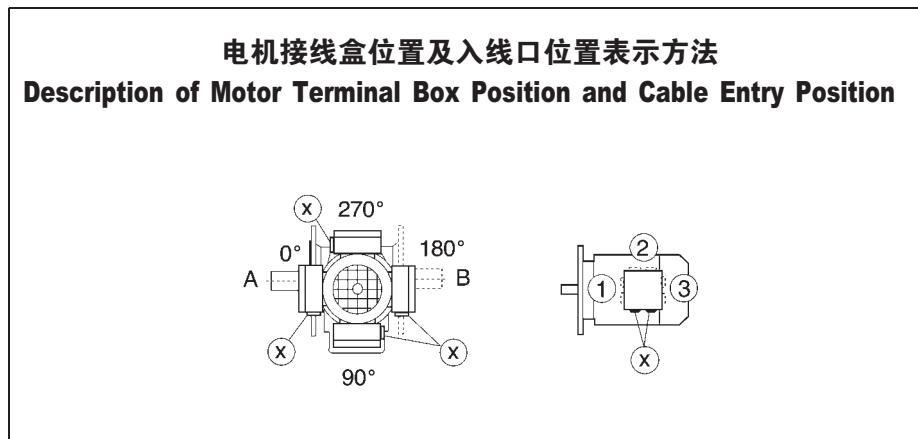
2、Contents of motors for input shaft types are not listed.

3、Degree=0°, if terminal box position is not mentioned. It is X, if cable entry position is not mentioned.

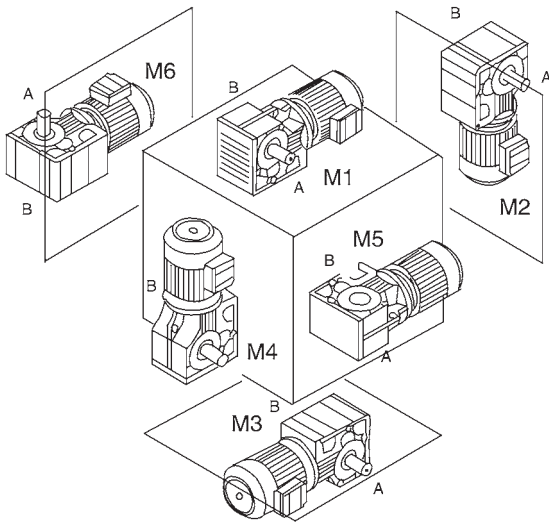
4、If specific rotation directions of output shaft or/and input shaft are specially requested, please contact our technology department, and make detailed description while placing order.

电机接线盒位置及入线口位置表示方法

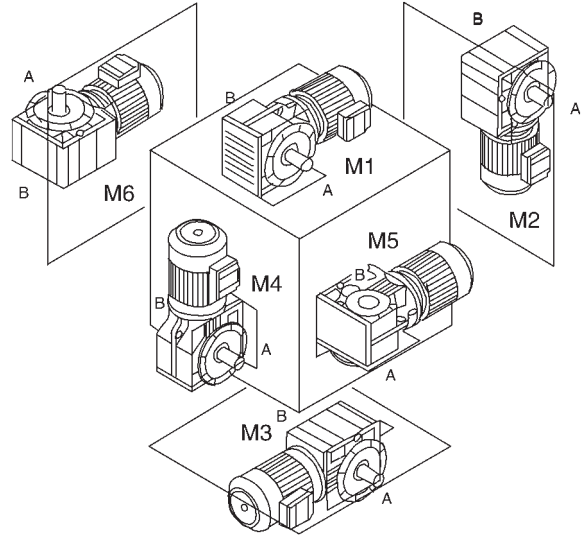
Description of Motor Terminal Box Position and Cable Entry Position



安装形式图例



Mounting Arrangements Description



各种安装形式定义为:

- M1—电机水平放置;减速机底脚朝下。
- M2—电机居下。
- M3—电机水平放置;减速机底脚朝上。
- M4—电机居上。
- M5—电机水平放置;当减速机在 M1 安装位置时,从电机方向看,减速机的左面旋转下方位置。
- M6—电机水平放置;当减速机在 M1 安装位置时,从电机方向看,减速机的左面旋转上方位置。

Different kinds of mounting arrangements are defined as following:

- M1—horizontally mounted motor, unit base is at bottom.
- M2—motor is vertically mounted downwards.
- M3—horizontally mounted motor, unit base is top.
- M4—motor is vertically mounted upwards.
- M5—horizontally mounted motor, if placed on M1 position, left side of unit turns to bottom (view point: towards from motor side).
- M6—horizontally mounted motor, if placed on M1 position, left side of unit turns to top (view point: towards from motor side).

减速机重量 (Gear unit weight)

规格 Size	GK37	GK47	GK57	GK67	GK77	GK87	GK97	GK107	GK127	GK157	GK167	GK187
重量(kg) Weight	14	21	28	32	54	93	153	270	403	630	1122	1630

注:重量为平均值,不包括电机,仅供参考。

(Note: The weights mean values, without the motor, only for reference.)

选型表注释 (Description of selection table)

恒功率 Constant power

n_a [r/min]	M_a [Nm]	i	F_{ra} [kN]	f_b	机型号 Type size	极数 Pole
↓	↓	↓	↓	↓	↓	↓
输出转速 Output speed	输出转矩 Output torque	减速机速比 Gear unit ratio	许用径向载荷 Permissible radial load	使用系数 Service factor		

恒转矩 Constant torque

M_{max} [Nm]	n_a [r/min]	i	F_{ra} [kN]	机型号 Type size	P
↓	↓	↓	↓	↓	↓
最大输出转矩 Max. output torque	输出转速 Output speed	减速机速比 Gear unit ratio	许用径向载荷 Permissible radial load		电机功率 Motor power

选型参数表
(恒功率)
Selection Table
(Constant Power)

n_a [r/min]	Ma [Nm]	i	F_{ra} [kN]	f_B	机型号 Type size	极数 PoLe	n_a [r/min]	Ma [Nm]	i	F_{ra} [kN]	f_B	机型号 Type size	极数 Pole	
0.12kW							0.12kW							
0.08	13734	17396	76	1.00			1.42	730	925	19	2.25	GK77R37	4P	
0.08	12521	15859	76	1.10			1.60	645	817	19	2.55	GKF77R37		
0.09	11719	14843	77	1.20	GK127R77		1.85	561	710	19	2.95	GKA77R37		
0.11	9736	12331	77	1.40	GKF127R77	4P	2.10	492	623	19	3.35	GKAF77R37		
0.12	8542	10819	78	1.60	GKA127R77		0.97	1067	1351	8.8	0.80			
0.13	7738	9801	78	1.80	GKAF127R77		1.1	925	1171	10	0.95			
0.16	6605	8366	78	2.10			1.3	816	1034	11	1.05			
0.18	5786	7329	78	2.40			1.5	713	903	11	1.20			
0.09	11299	14311	62	0.80			1.7	626	793	12	1.40			
0.11	9641	12211	62	0.90			1.9	550	697	12	1.60	GK67R37	4P	
0.12	8430	10678	62	1.00			2.1	484	613	12	1.80	GKF67R37		
0.14	7519	9524	62	1.15	GK107R77		2.4	428	542	12	2.05	GKA67R37		
0.16	6575	8328	62	1.30	GKF107R77	4P	2.8	372	471	12	2.35	GKAF67R37		
0.18	5739	7269	62	1.45	GKA107R77		3.1	332	420	12	2.60			
0.21	4882	6184	62	1.75	GKAF107R77		3.6	285	361	12	3.05			
0.23	4470	5662	62	1.90			4.1	255	323	12	3.40			
0.25	4057	5138	62	2.10			4.7	220	279	12	3.95			
0.30	3442	4360	62	2.50			5.3	194	246	12	4.50			
0.16	6360	8055	38	0.80			6.0	171	217	12	5.10			
0.19	5502	6969	38	0.85			1.4	715	906	7.4	0.90			
0.22	4758	6027	38	0.95	GK97R57		1.6	636	806	7.8	1.00			
0.24	4257	5392	38	1.05	GKF97R57		1.9	552	699	8.3	1.15			
0.28	3686	4669	38	1.25	GKA97R57	4P	2.1	486	615	8.5	1.30			
0.32	3222	4081	38	1.40	GKAF97R57		2.4	429	544	8.7	1.50			
0.37	2829	3583	38	1.60			2.8	373	473	8.8	1.70	GK57R37	4P	
0.42	2454	3108	38	1.85			3.1	332	421	8.9	1.90	GKF57R37		
0.48	2176	2756	38	2.10			3.6	286	362	9.0	2.25	GKA57R37		
0.54	1910	2419	38	2.50			4.1	252	319	9.1	2.55	GKAF57R37		
0.62	1676	2123	38	2.70	GK97R57		4.7	221	280	9.2	2.90			
0.71	1465	1856	38	3.10	GKF97R57		5.3	194	246	9.3	3.30			
0.81	1283	1625	38	3.55	GKA97R57	4P	6.1	170	215	9.3	3.75			
0.92	1129	1430	38	4.05	GKAF97R57		6.8	152	192	9.4	4.20			
1.04	996	1261	38	4.60			2.1	505	639	2.4	0.85			
1.19	870	1102	38	5.25			2.4	436	552	6.0	0.95	GK47R37	4P	
0.25	4136	5239	25	0.80			2.6	391	495	6.6	1.10	GKF47R37		
0.29	3602	4562	26	0.80	GK87R57		3.1	336	426	6.9	1.25	GKA47R37		
0.32	3187	4037	26	0.90	GKF87R57	4P	3.5	296	375	7.2	1.45	GKAF47R37		
0.36	2849	3609	26	1.00	GKA87R57		4.0	257	326	7.3	1.65			
0.42	2452	3106	27	1.15	GKAF87R57		4.5	228	289	7.4	1.85			
0.48	2154	2728	27	1.35			3.8	273	346	4.6	0.80			
0.55	1872	2371	27	1.55			4.3	240	304	5.4	0.90			
0.63	1647	2086	27	1.75			4.9	211	267	5.5	1.00	GK37R17	4P	
0.71	1464	1854	27	1.95			5.6	185	234	5.8	1.15	GKF37R17		
0.79	1309	1658	27	2.20	GK87R57		6.4	162	205	5.9	1.30	GKA37R17		
0.93	1117	1415	27	2.55	GKF87R57		7.2	143	181	6.0	1.50	GKAF37R17		
1.07	970	1229	27	2.95	GKA87R57	4P	8.2	126	160	6.1	1.70			
1.22	851	1078	27	3.35	GKAF87R57		9.6	107	136	6.2	2.00			
1.38	751	951	28	3.80								GK67		6P*
1.57	661	837	28	4.35			5.9	185	144.79	12	4.40	GKF67		
1.80	573	726	28	5.00								GKA67		
0.48	2148	2721	13	0.80	GK77R37							GKAF67		
					GKF77R37	4P	5.9	186	145.15	9.2	3.20			
0.55	1874	2374	15	0.90	GKA77R37		6.9	159	123.85	9.3	3.80	GK57	6P*	
					GKAF77R37		7.8	139	108.29	9.3	4.30	GKF57		
0.64	1621	2053	16	1.00			8.3	132	102.88	9.3	4.60	GKA57		
0.74	1401	1775	17	1.15	GK77R37	4P	9.4	116	90.26	9.4	5.20	GKAF57		
0.86	1197	1516	17	1.35	GKF77R37		11	98	76.56	9.4	6.20			
0.94	1097	1390	18	1.50	GKA77R37									
1.07	963	1220	18	1.70	GKAF77R37									
1.24	833	1055	18	1.95										

*0.12kW(6极)电机需特制。*0.12kW motor of 6 poles needs to be specially requested and then manufactured.

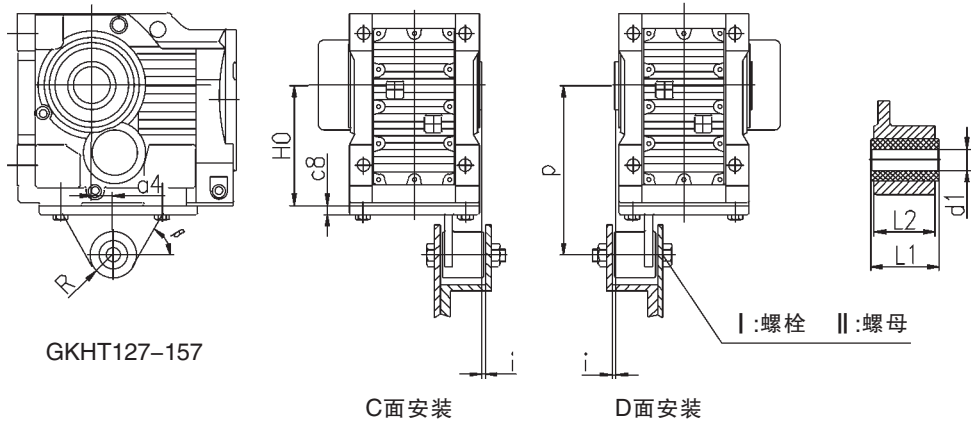
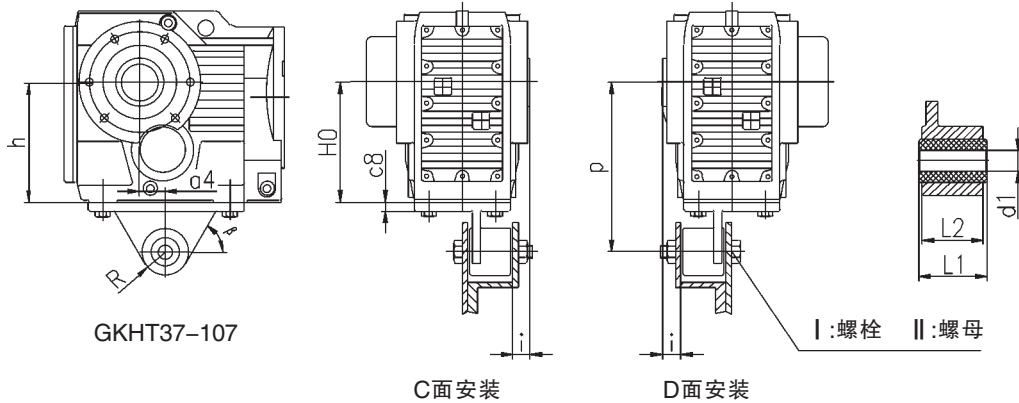
选型参数表
(恒功率)
Selection Table
(Constant Power)

n_a [r/min]	Ma [Nm]	i	F_{ra} [kN]	f_B	机型号 Type size	极数 Pole	n_a [r/min]	Ma [Nm]	i	F_{ra} [kN]	f_B	机型号 Type size	极数 Pole
0.12kW							0.18kW						
9	121	145.15	9.4	5.00			0.28	5529	4669	38	0.85		
11	103	123.85	9.4	5.80	GK57		0.32	4833	4081	38	0.95	GK97R57	
12	90	108.29	9.5	6.70	GKF57	4P	0.37	4243	3583	38	1.10	GKF97R57	4P
13	86	102.88	9.5	7.00	GKA57		0.42	3681	3108	38	1.25	GKA97R57	
15	75	90.26	9.5	8.00	GKAF57		0.48	3264	2756	38	1.40	GKAF97R57	
6.4	169	131.87	7.5	2.40	GK47		0.54	2865	2419	38	1.60		
7.0	156	121.48	7.6	2.60	GKF47	6P*	0.62	2514	2123	38	1.80		
8.1	134	104.37	7.7	3.00	GKA47		0.71	2198	1856	38	2.10		
					GKAF47		0.81	1924	1625	38	2.35		
9.9	110	131.87	7.7	3.70	GK47		0.92	1694	1430	38	2.70	GK97R57	
					GKF47	4P	1.04	1493	1261	38	3.05	GKF97R57	4P
11	101	121.48	7.8	4.00	GKA47		1.19	1305	1102	38	3.50	GKA97R57	
					GKAF47		1.37	1133	957	38	4.05	GKAF97R57	
8.0	136	106.38	5.9	1.50	GK37		1.53	1013	855	38	4.50		
8.7	125	97.81	6.0	1.60	GKF37	6P*	1.76	880	743	38	5.20		
10	107	83.69	6.1	1.90	GKA37		2.01	771	651	38	5.90		
12	93	72.54	6.2	2.20	GKAF37							GK87R57	
12	88	106.38	6.2	2.30			0.42	3678	3106	25	0.80	GKF87R57	4P
13	81	97.81	6.2	2.50			0.48	3231	2728	26	0.90	GKA87R57	
16	70	83.69	6.2	2.90			0.55	2808	2371	26	1.00	GKAF87R57	
18	60	72.54	6.3	3.30			0.63	2470	2086	26	1.15		
19	56	67.80	6.3	3.50			0.71	2196	1854	27	1.30		
22	49	58.61	6.1	4.10			0.79	1964	1658	27	1.45		
26	41	49.79	5.8	4.80			0.93	1676	1415	27	1.70	GK87R57	
29	37	44.46	5.6	5.40			1.1	1455	1229	27	1.95	GKF87R57	4P
35	32	37.97	5.4	6.30	GK37		1.2	1277	1078	27	2.25	GKA87R57	
37	30	35.57	5.3	6.80	GKF37	4P	1.4	1126	951	27	2.55	GKAF87R57	
44	25	29.96	5.0	8.00	GKA37		1.6	991	837	27	2.90		
45	24	28.83	4.9	8.40	GKAF37		1.8	860	726	27	3.35		
53	21	24.88	4.7	9.60			0.86	1795	1516	14	0.90		
56	19	23.36	4.6	10			0.94	1646	1390	15	1.00		
65	17	20.19	4.4	11			1.1	1445	1220	16	1.15		
76	14	17.15	4.2	13			1.2	1248	1054	17	1.30		
86	13	15.32	4.1	14			1.4	1095	925	17	1.50	GK77R37	
100	11	13.08	3.9	15			1.6	968	817	18	1.70	GKF77R37	4P
108	10	12.14	3.8	16			1.8	841	710	18	1.95	GKA77R37	
							2.1	738	623	18	2.25	GKAF77R37	
0.18kW							2.4	655	553	19	2.50		
0.09	17578	14843	70	0.80			2.7	574	485	19	2.85		
0.11	14603	12331	75	0.95			3.1	507	428	19	3.25		
0.12	12813	10819	76	1.10			3.6	436	368	19	3.75		
0.13	11607	9801	76	1.20			1.5	1069	903	5.4	0.80		
0.16	9908	8366	77	1.40	GK127R77		1.7	939	793	9.1	0.95		
0.18	8680	7329	77	1.60	GKF127R77	4P	1.9	825	697	10	1.05		
0.20	7615	6430	78	1.80	GKA127R77		2.1	726	613	11	1.20	GK67R37	
0.23	6860	5793	78	2.00	GKAF127R77		2.4	642	542	11	1.35	GKF67R37	4P
0.27	5831	4924	78	2.35			2.8	558	471	12	1.55	GKA67R37	
0.30	5130	4332	78	2.70			3.1	497	420	12	1.75	GKAF67R37	
0.34	4564	3854	78	3.00			3.6	428	361	12	2.05		
0.40	3887	3282	78	3.55			4.1	383	323	12	2.25		
0.16	9863	8328	62	0.85			4.7	330	279	12	2.65		
0.18	8608	7269	62	1.00			2.1	728	615	5.3	0.90		
0.21	7324	6184	62	1.15			2.4	644	544	7.4	1.00	GK57R37	
0.23	6705	5662	62	1.25	GK107R77		2.8	560	473	7.9	1.15	GKF57R37	4P
0.25	6085	5138	62	1.40	GKF107R77		3.1	499	421	8.2	1.30	GKA57R37	
0.30	5163	4360	62	1.65	GKA107R77	4P	3.6	429	362	8.5	1.50	GKAF57R37	
0.34	4513	3811	62	1.90	GKAF107R77		4.1	378	319	8.6	1.70		
0.39	3977	3358	62	2.15			4.7	332	280	8.8	1.90		
0.44	3526	2977	62	2.40									
0.50	3077	2598	62	2.75									
0.57	2707	2286	62	3.15									

*0.12kW(6极)电机需特制。*0.12kW motor of 6 poles needs to be specially requested and then manufactured.

GKHT37-157
安装结构尺寸

GKHT37-157
Mounting Dimensional Description



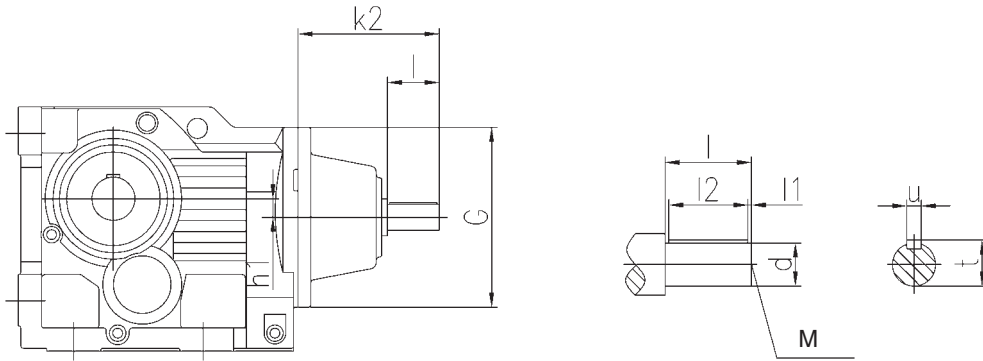
机型号 Type Size	a ₄	β	C ₈	i	P	R	H ₀	d ₁	L _{1-0.3}	L ₂
GKHT37	23.5	60°	10	20	140 ^{+0.2} _{-0.7}	22.5	100 _{-0.5}	10.4 ^{+0.1} _{-0.1}	36	31
GKHT47	30	55°	12	20	160 ^{+0.2} _{-0.7}	22.5	112 _{-0.5}	10.4 ^{+0.1} _{-0.1}	36	31
GKHT57	40	55°	13	18	192 ^{+0.2} _{-0.7}	29	132 _{-0.5}	16.4 ^{+0.08} _{-0.08}	60	54
GKHT67	45	55°	13	25	200 ^{+0.2} _{-0.7}	29	140 _{-0.5}	16.4 ^{+0.08} _{-0.08}	60	54
GKHT77	52.5	60°	14	25	250 ^{+0.2} _{-0.7}	29	180 _{-0.5}	16.4 ^{+0.08} _{-0.08}	60	54
GKHT87	60	60°	16	30	300 ^{+0.2} _{-0.7}	41	212 _{-0.5}	25 ^{+0.08} _{-0.08}	80	72
GKHT97	70	50°	17	40	350 ^{+0.2} _{-1.2}	41	265 ₋₁	25 ^{+0.08} _{-0.08}	100	92
GKHT107	74	55°	20	45	450 ^{+0.5} _{-1.5}	41	315 ₋₁	25 ^{+0.08} _{-0.08}	100	92
GKHT127	60	65°	45	7	550 ^{+0.5} _{-1.5}	70	375 ₋₁	40 ^{+0.08} _{-0.08}	126	110
GKHT157	50	65°	45	2	700 ^{+0.5} _{-1.5}	70	450 ₋₁	40 ^{+0.08} _{-0.08}	126	110

其它尺寸请按照 GKH 型。

注:I:螺栓 II:螺母用户自配。

For other dimensions, see the type GKH.

Note: bolts I and nuts II are prepared by customers.

GK..SZ37-187AD1-8
安装结构尺寸
GK..SZ37-187AD1-8
Mounting Dimensional Description

GK..SZ37-187AD1-8 安装结构尺寸 (GK..SZ37-187AD1-8 Mounting Dimensional Description)

机型号 Type Size		d	G	k ₂	l	M	l ₁	l ₂	t	u	h ₁
GK..SZ37	AD1	16k6	Φ 120	115	40	M5	4	32	18	5	8.5
	AD2	19k6	Φ 120	115	40	M6	4	32	21.5	6	8.5
GK..SZ47	AD2	19k6	Φ 160	120	40	M6	4	32	21.5	6	7.2
	AD3	24k6	Φ 160	130	50	M8	5	40	27	8	7.2
GK..SZ57/67	AD2	19k6	Φ 160	120	40	M6	4	32	21.5	6	13.1/20
	AD3	24k6	Φ 160	130	50	M8	5	40	27	8	13.1/20
GK..SZ77	AD2	19k6	Φ 200	130	40	M6	4	32	21.5	6	31.3
	AD3	24k6	Φ 200	140	50	M8	5	40	27	8	31.3
	AD4	38k6	Φ 200	140	50	M12	5	40	41	10	31.3
GK..SZ87	AD2	19k6	Φ 250	160	40	M6	4	32	21.5	6	25.9
	AD3	28k6	Φ 250	180	60	M10	5	50	31	8	25.9
	AD4	38k6	Φ 250	200	80	M12	5	70	41	10	25.9
GK..SZ97	AD3	28k6	Φ 300	200	60	M10	5	50	31	8	32.3
	AD4	38k6	Φ 300	220	80	M12	5	70	41	10	32.3
	AD5	42k6	Φ 300	220	80	M16	5	70	45	12	32.3
	AD6	48k6	Φ 300	220	80	M16	5	70	51.5	14	32.3
GK..SZ107	AD3	28k6	Φ 350	220	60	M10	5	50	31	8	52
	AD4	38k6	Φ 350	240	80	M12	5	70	41	10	52
	AD5	42k6	Φ 350	270	110	M16	10	90	45	12	52
	AD6	48k6	Φ 350	270	110	M16	10	90	51.5	14	52
GK..SZ127	AD4	38k6	Φ 450	267	80	M12	5	70	41	10	53
	AD5	42k6	Φ 450	297	110	M16	10	90	45	12	53
	AD6	48k6	Φ 450	297	110	M16	10	90	51.5	14	53
	AD7	55m6	Φ 450	297	110	M20	10	90	59	16	53
	AD8	70m6	Φ 450	297	110	M20	10	90	74.5	20	53
GK..SZ157/167/187	AD5	42k6	Φ 550	344	110	M16	10	90	45	12	71.7/97/112
	AD6	48k6	Φ 550	344	110	M16	10	90	51.5	14	71.7/97/112
	AD7	55m6	Φ 550	344	110	M20	10	90	59	16	71.7/97/112
	AD8	70m6	Φ 550	374	140	M20	15	110	74.5	20	71.7/97/112

其它尺寸请参照 GK 型。

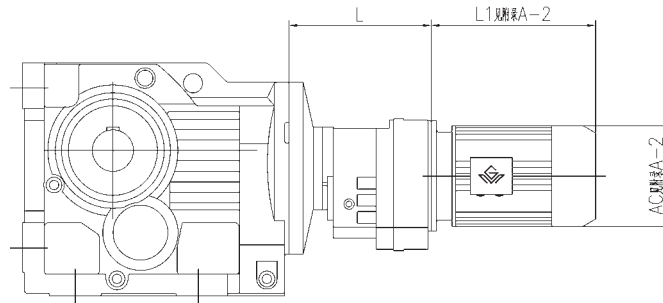
注：GKF/GKA/GKAB/GKAF/GKAZ/GKH/GKHF/GKHZ 也均可采用双轴型，并分别记为 GKFSZ..AD..、GKASZ..AD..、GKABSZ..AD..、GKAFSZ..AD..、GKAZSZ..AD..、GKHSZ..AD..、GKHFSZ..AD..和 GKHZSZ..AD..。

For other dimensions, see the type GK.

Note: double shafts type is also available for type GKF/GKA/GKAB/GKAF/GKAZ/GKH/GKHF/GKHZ, and these double shafts types are respectively named type GKHFSZ..AD..、GKASZ..AD..、GKABSZ..AD..、GKAFSZ..AD..、GKAZ..AD..、GKHSZ..AD..、GKHFSZ..AD...and GKHZSZ..AD..

GK..R..
安装结构尺寸

GK..R..
Mounting Dimensional Description



机型号 Type Size	电机机座号 Motor frame size	L
GK..37R17	63	131
	71	
	80	
GK..47R37 GK..67R37	63	157
	71	
	80	
GK..57R37	63	157
	71	
	80	
GK..77R37	63	157
	71	
	80	
GK..87R57	63	187
	71	
	80	
GK..97R57	63	187
	71	
	80	
GK..107R77	63	220
	71	
	80	
GK..107R77	90	220
	100	
	112	
	132	
	160	

机型号 Type Size	电机机座号 Motor frame size	L
GK..127R77	63	220
	71	
	80	
	90	
	100	
	112	
GK..127R87	132	272
	160	
	180	
	90	
	100	
GK..157R97 GK..167R97 GK..187R97	112	320
	132	
	160	
	180	
	200	
	80	
GK..157R107 GK..167R107 GK..187R107	90	355
	100	
	112	
	132	
	160	
GK..157R107 GK..167R107 GK..187R107	180	355
	200	
	225	

注:GKA/GKAF/GKF/GKAZ/GKH/GKHF/GKHZ 均可采用串联组合机型

Note: Combined type is also available for type GKA/GKAF/GKAZ/GKH/GKHF/GKHZ.

注:电机需方配或配特殊电机时需加联接法兰(见附录 D)

Note: When equipping the user's motor or the special one, the flange is required to connected.(Please see appendix D)

选型参数表
(恒功率)

Selection Table
(Constant Power)

n_a [r/min]	M_a [Nm]	i	F_{ra} [kN]	f_B	机型号 Type size	极数 Pole	n_a [r/min]	M_a [Nm]	i	F_{ra} [kN]	f_B	机型号 Type size	极数 Pole		
0.18kW							0.18kW								
5.3	291	246	8.9	2.20	GK57R37	4P	44	37	29.96	5.0	5.10	GK37 GKF37 GKA37 GKAF37	4P		
6.1	255	215	9.1	2.50	GKF57R37		45	36	28.83	4.9	5.30				
6.8	227	192	9.1	2.80	GKA57R37		52	31	24.99	4.7	6.20				
7.9	197	166	9.2	3.25	GKAF57R37		56	29	23.36	4.6	6.40				
3.5	444	375	5.6	0.95	GK47R37 GKF47R37 GKA47R37 GKAF47R37	4P	65	25	20.19	4.4	7.00				
4.0	386	326	6.1	1.10			76	21	17.15	4.2	8.10				
4.5	342	289	6.6	1.25			86	19	15.32	4.1	8.80				
5.1	303	256	6.9	1.40			100	16	13.08	3.9	9.70				
5.8	266	225	7.1	1.60			108	15	12.14	3.8	10				
6.6	234	198	7.3	1.80			125	13	10.49	3.6	12				
7.7	203	171	7.5	2.10			147	11	8.91	3.4	14				
8.6	181	153	7.6	2.35			165	9.9	7.96	3.3	15				
10	155	131	7.6	2.75	0.25kW										
6.4	243	205	5.0	0.85	GK37R17 GKF37R17 GKA37R17 GKAF37R17	4P	0.14	16121	9801	72	0.85			GK127R77 GKF127R77 GKA127R77 GKAF127R77	4P
7.2	214	181	5.4	1.00			0.16	13761	8366	75	1.00				
8.2	189	160	5.6	1.10			0.18	12055	7329	76	1.15				
9.6	161	136	5.8	1.30			0.21	10576	6430	77	1.30				
10	150	127	5.9	1.40	0.23	9528	5793	77	1.45						
9.0	171	144.79	12	2.90	GK67	6P	0.27	8099	4924	78	1.70				
11	146	123.54	12	3.40	GKF67		0.31	7125	4332	78	1.95				
12	128	108.02	12	3.80	GKA67		0.35	6339	3854	78	2.20				
13	122	102.62	12	4.00	GKAF67		0.41	5398	3282	78	2.55				
9.0	180	144.79	12	4.30	GK67	4P	0.22	10019	6184	62	0.85				
11	154	123.54	12	5.10	GKF67		0.23	9173	5662	62	0.90				
12	135	108.02	12	5.80	GKA67		0.26	8324	5138	62	1.00				
12	135	108.02	12	5.80	GKAF67		0.31	7064	4360	62	1.20				
5.9	279	145.15	8.9	2.10	GK57	6P	0.35	6174	3811	62	1.35				
6.9	238	123.85	9.0	2.50	GKF57		0.40	5440	3358	62	1.55				
7.8	208	108.29	9.1	2.80	GKA57		0.45	4823	2977	62	1.75				
8.3	198	102.88	9.1	3.00	GKAF57		0.51	4209	2598	62	2.00				
9.4	173	90.26	9.2	3.40	GK57 GKF57 GKA57 GKAF57	4P	0.58	3704	2286	62	2.25				
9.0	181	145.15	9.2	3.20			0.69	3141	1939	62	2.65				
11	154	123.85	9.3	3.70			GK107R77	4P	0.78	2775	1713	62	3.00		
12	135	108.29	9.3	4.30			GKF107R77		0.86	2519	1555	62	3.30		
13	128	102.88	9.3	4.50	GKA107R77	1.0	2164		1336	62	3.85				
15	113	90.26	9.4	5.10	GKAF107R77	0.42	5152		3180	38	0.85				
17	95	76.56	9.4	6.00	GK57	6P	0.48	4465	2756	38	1.00				
6.4	253	131.87	7.0	1.55	GKF57		0.55	3919	2419	38	1.15				
7.0	233	121.48	7.2	1.65	GKA57		0.63	3439	2123	38	1.30				
8.1	201	104.37	7.4	1.95	GKAF57		0.72	3007	1856	38	1.50				
9.4	175	90.86	7.5	2.20	GK47	6P	0.82	2633	1625	38	1.70				
10	164	85.12	7.5	2.40	GKF47		0.93	2317	1430	38	1.95				
10	164	85.12	7.5	2.40	GKA47		1.1	2043	1261	38	2.20				
10	164	85.12	7.5	2.40	GKAF47		1.2	1785	1102	38	2.50				
8.0	204	106.38	5.2	0.95	GK37	6P	1.4	1550	957	38	2.90				
8.7	188	97.81	5.4	1.05	GKF37		1.6	1385	855	38	3.25				
10	161	83.69	5.7	1.20	GKA37		0.64	3380	2086	25	0.85				
12	139	72.54	5.9	1.40	GKAF37		0.72	3004	1854	26	0.95				
12	133	106.38	5.9	1.45	GK37 GKF37 GKA37 GKAF37	4P	0.80	2686	1658	26	1.05				
13	122	97.81	6.0	1.55			0.94	2292	1415	26	1.25				
16	104	83.69	6.1	1.85			1.1	1991	1229	27	1.40				
18	90	72.54	6.1	2.10			1.2	1746	1078	27	1.60				
19	85	67.80	6.2	2.30			1.4	1541	951	27	1.85				
22	73	58.61	6.0	2.60			1.6	1356	837	27	2.10				
26	62	49.79	5.7	3.10			1.8	1176	726	27	2.40				
29	55	44.46	5.5	3.50			2.1	1034	638	27	2.75				
35	47	37.97	5.3	4.10											
37	44	35.57	5.2	4.30											

选型参数表
(恒功率)

Selection Table
(Constant Power)

n_a [r/min]	Ma [Nm]	i	F_{ra} [kN]	f_B	机型号 Type size	极数 Pole	n_a [r/min]	Ma [Nm]	i	F_{ra} [kN]	f_B	机型号 Type size	极数 Pole
0.25kW							0.25kW						
1.3	1708	1054	14	0.95			9.2	248	145.15	8.9	2.20		
1.4	1499	925	15	1.10			11	211	123.85	9.1	2.60	GK57	
1.6	1324	817	16	1.20			12	185	108.29	9.2	3.00	GKF57	4P
1.9	1150	710	17	1.40			13	175	102.88	9.2	3.20	GKA57	
2.1	1009	623	17	1.60			15	154	90.26	9.3	3.60	GKAF57	
2.4	896	553	18	1.80			17	131	76.56	9.3	4.30		
2.7	786	485	18	2.05	GK77R37		6.4	352	131.87	6.1	1.10		
3.1	693	428	18	2.35	GKF77R37	4P	7.0	324	121.48	6.4	1.20	GK47	
3.6	596	368	19	2.70	GKA77R37		8.1	278	104.37	6.8	1.40	GKF47	6P
4.1	531	328	19	3.05	GKAF77R37		9.4	242	90.86	7.1	1.60	GKA47	
4.6	471	291	19	3.45			10	227	85.12	7.2	1.75	GKAF47	
5.3	408	252	19	3.95			10	225	131.87	7.1	1.65		
6.0	358	221	19	4.50			11	207	121.48	7.3	1.80	GK47	
6.8	316	195	19	5.15			13	178	104.37	7.4	2.10	GKF47	4P
7.6	284	175	19	5.70			15	155	90.86	7.5	2.40	GKA47	
2.2	993	613	7.0	0.85			16	145	85.12	7.6	2.60	GKAF47	
2.5	878	542	10	1.00			10	223	83.69	5.0	0.90		
2.8	763	471	10	1.10			12	194	72.54	5.4	1.00	GK37	
3.2	680	420	11	1.25	GK67R37		13	181	67.80	5.5	1.10	GKF37	6P
3.7	585	361	11	1.45	GKF67R37	4P	15	156	58.61	5.7	1.25	GKA37	
4.1	523	323	12	1.65	GKA67R37		17	133	49.79	5.9	1.50	GKAF37	
4.8	452	279	12	1.90	GKAF67R37		13	181	106.38	5.4	1.00		
5.4	399	246	12	2.15			14	167	97.81	5.6	1.10		
6.1	352	217	12	2.45			16	143	83.69	5.8	1.30		
3.2	682	421	5.5	0.90			18	124	72.54	5.9	1.50		
3.7	586	362	7.4	1.05			20	116	67.80	5.9	1.60		
4.2	517	319	8.0	1.20			23	100	58.61	5.7	1.85		
4.8	454	280	8.3	1.40			27	85	49.79	5.5	2.20		
5.4	399	246	8.5	1.55	GK57R37		30	76	44.46	5.4	2.50		
6.2	348	215	8.7	1.80	GKF57R37	4P	35	65	37.97	5.2	2.90		
6.9	311	192	8.8	2.00	GKA57R37		37	61	35.57	5.1	3.10		
8.0	269	166	9.0	2.35	GKAF57R37		44	51	29.96	4.8	3.60	GK37	
9.2	235	145	9.1	2.65			46	49	28.83	4.8	3.80	GKF37	4P
10	209	129	9.1	3.00			53	43	24.99	4.6	4.40	GKA37	
12	180	111	9.2	3.50			57	40	23.36	4.5	4.60	GKAF37	
14	157	97	9.3	4.00			66	34	20.19	4.4	5.00		
4.1	547	154.28	19	2.90	GK77		78	29	17.15	4.2	5.70		
4.7	480	135.51	19	3.30	GKF77	8P	87	26	15.31	4.0	6.20		
5.0	456	128.73	19	3.40	GKA77		102	22	13.08	3.8	6.90		
5.6	403	113.75	19	3.90	GKAF77		110	21	12.14	3.7	7.20		
4.4	514	192.50	19	2.80	GK77		127	18	10.49	3.6	8.30		
4.7	479	179.67	19	3.00	GKF77	6P	149	15	8.91	3.4	9.80		
5.5	412	154.28	19	3.70	GKA77		167	14	7.96	3.3	11.00		
6.3	362	135.51	19	4.20	GKAF77		196	12	6.80	3.1	12.00		
5.2	438	123.54	12	1.90	GK67		209	11	6.37	3.1	12.00		
5.9	383	108.02	12	2.20	GKF67	8P	0.37kW						
6.2	364	102.62	12	2.30	GKA67		0.18	17573	7329	69	0.75		
7.1	319	90.04	12	2.60	GKAF67		0.21	15417	6430	73	0.90	GK127R77	
5.9	386	144.79	12	2.10	GK67		0.23	13890	5793	75	1.00	GKF127R77	
6.9	330	123.54	12	2.50	GKF67	6P	0.27	11806	4924	76	1.15	GKA127R77	4P
7.9	288	108.02	12	2.80	GKA67		0.31	10387	4332	77	1.30	GKAF127R77	
8.3	274	102.62	12	3.00	GKAF67		0.35	9241	3854	77	1.45		
9.2	247	144.79	12	3.10	GK67		0.41	7869	3282	78	1.75		
11	211	123.54	12	3.60	GKF67	4P	0.70	4577	1909	78	2.95	GK127R77	
12	184	108.02	12	4.10	GKA67		0.76	4174	1741	78	3.25	GKA127R77	4P
13	175	102.62	12	4.30	GKAF67		0.87	3661	1527	78	3.70	GKAF127R77	
5.9	387	145.15	8.5	1.50			0.35	9138	3811	62	0.90		
6.9	330	123.85	8.7	1.80	GK57		0.40	8052	3358	62	1.05	GK107R77	
7.8	289	108.29	8.8	2.00	GKF57	6P	0.45	7138	2977	62	1.15	GKF107R77	
8.3	275	102.88	8.9	2.20	GKA57		0.51	6229	2598	62	1.35	GKA107R77	4P
9.4	241	90.26	9.0	2.50	GKAF57		0.58	5481	2286	62	1.55	GKAF107R77	
11	204	76.56	9.1	2.90			0.69	4649	1939	62	1.80		

选型参数表
(恒功率)
Selection Table
(Constant Power)

n_a [r/min]	Ma [Nm]	i	F_{ra} [kN]	f_B	机型号 Type size	极数 Pole	n_a [r/min]	Ma [Nm]	i	F_{ra} [kN]	f_B	机型号 Type size	极数 Pole
0.37kW							0.37kW						
0.78	4107	1713	62	2.05	GK107R77	4P	3.8	886	174.19	27	3.00	GK87	8P
0.86	3728	1555	62	2.25	GKF107R77		4.0	836	164.34	27	3.20	GKA87	
1.0	3203	1336	62	2.60	GKA107R77		4.5	749	147.32	27	3.50	GKAF87	
1.1	2796	1166	62	3.00	GKAF107R77		4.5	744	197.37	27	3.50	GK87	
0.63	5090	2123	38	0.90	GK97R57 GKF97R57 GKA97R57 GKAF97R57	4P	5.1	657	174.19	27	4.00	GKAF87	6P
0.72	4450	1856	38	1.00			4.9	689	135.51	18	2.20	GK77	
0.82	3896	1625	38	1.15			5.1	655	128.73	18	2.30	GKF77	
0.93	3429	1430	38	1.30			5.8	579	113.75	19	2.60	GKA77	
1.1	3024	1261	38	1.50			6.8	494	97.21	19	3.10	GKAF77	
1.2	2642	1102	38	1.70			5.8	582	154.28	19	2.60	GK77	
1.4	2295	957	38	1.95			6.6	511	135.51	19	2.90	GKF77	
1.6	2050	855	38	2.20			6.9	486	128.73	19	3.10	GKA77	
1.8	1782	743	38	2.50			7.8	429	113.75	19	3.50	GKAF77	
2.0	1561	651	38	2.90			6.9	486	192.50	19	3.00	GKF77	
2.3	1374	573	38	3.25	7.4	453	179.67	19	3.20	GKA77			
0.94	3393	1415	25	0.85	GK87R57 GKF87R57 GKA87R57 GKAF87R57	4P	8.6	389	154.28	19	3.90	GKAF77	4P
1.1	2947	1229	26	0.95			GK67						
1.2	2585	1078	26	1.10			6.1	549	108.02	11	1.45	GKF67	
1.4	2280	951	27	1.25			6.4	522	102.62	12	1.55	GKA67	
1.6	2007	837	27	1.40			7.3	458	90.04	12	1.75	GKAF67	
1.8	1741	726	27	1.60			7.2	466	123.54	12	1.70	GK67	
2.1	1530	638	27	1.85			8.2	407	108.02	12	1.95	GKF67	
2.4	1348	562	27	2.10			8.7	387	102.62	12	2.00	GKA67	
2.8	1137	474	27	2.50			9.9	340	90.04	12	2.30	GKAF67	
3.1	1021	426	27	2.75			9.2	365	144.79	12	2.20	GK67	
3.6	894	373	27	3.15	11	312	123.54	12	2.60	GK67			
1.6	1959	817	10	0.85	GK77R37 GKF77R37 GKA77R37 GKAF77R37	4P	12	273	108.02	12	3.00	GKF67	4P
1.9	1702	710	14	0.95			15	227	90.04	12	3.60	GKA67	
2.1	1494	623	16	1.10			17	193	76.37	12	4.20	GKAF67	
2.4	1326	553	16	1.20			7.2	467	123.85	8.1	1.25	GK57	
2.7	1163	485	17	1.40			8.2	408	108.29	8.3	1.40	GK57	
3.1	1026	428	18	1.60			8.7	388	102.88	8.4	1.50	GKF57	
3.6	882	368	18	1.85			9.9	340	90.26	8.6	1.70	GKA57	
4.1	786	328	18	2.05			11.6	289	76.56	8.8	2.00	GKAF57	
4.6	698	291	18	2.30			12.9	261	69.12	8.9	2.20	GK57	
5.3	604	252	19	2.70			9.2	366	145.15	8.6	1.60	GK57	
6.0	530	221	19	3.05	11	313	123.85	8.8	1.90	GK57			
6.8	468	195	19	3.45	12	273	108.29	8.9	2.20	GK57			
7.6	420	175	19	3.85	13	260	102.88	8.9	2.30	GKF57			
8.6	369	154	19	4.40	15	228	90.26	9.1	2.60	GKA57			
3.2	1007	420	8.6	0.85	GK67R37 GKF67R37 GKA67R37 GKAF67R37	4P	17	193	76.56	9.2	3.10	GKAF57	4P
3.7	866	361	10	1.00			19	174	69.12	9.2	3.40	GK47	
4.1	774	323	11	1.10			8.5	394	104.37	5.2	1.00	GK47	
4.8	669	279	11	1.30			9.8	343	90.86	6.2	1.10	GKF47	
5.4	590	246	12	1.45			10	321	85.12	6.4	1.20	GKA47	
6.1	520	217	12	1.65			12	284	75.20	6.7	1.35	GKAF47	
7.0	458	191	12	1.85			10	333	131.87	6.4	1.20	GK47	
8.0	398	166	12	2.15			11	307	121.48	6.6	1.30	GKA47	
9.2	345	144	12	2.50			13	263	104.37	7.0	1.50	GKAF47	
11	293	122	12	2.95			15	229	90.86	7.2	1.70	GK47	
4.8	671	280	7.1	0.95	GK57R37 GKF57R37 GKA57R37 GKAF57R37	4P	16	215	85.12	7.3	1.85	GK47	4P
5.4	590	246	7.6	1.05			18	190	75.20	7.4	2.10	GKF47	
6.2	516	215	8.1	1.20			19	176	69.84	7.5	2.20	GKA47	
6.9	460	192	8.3	1.35			21	160	63.30	7.6	2.50	GKAF47	
8.0	398	166	8.6	1.55									
9.2	348	145	8.7	1.80									
10	309	129	8.9	2.00									
12	266	111	9.0	2.35									
14	233	97	9.1	2.70									

选型参数表
(恒功率)
Selection Table
(Constant Power)

n_a [r/min]	Ma [Nm]	i	F_{ra} [kN]	f_B	机型号 Type size	极数 Pole	n_a [r/min]	Ma [Nm]	i	F_{ra} [kN]	f_B	机型号 Type size	极数 Pole
0.37kW							0.55kW						
14	247	97.81	2.4	0.80			1.3	3513	1030	62	2.30	GK107R77	4P
16	211	83.69	5.2	0.95			1.5	3083	904	62	2.60	GKF107R77	
18	183	72.54	5.4	1.10			1.8	2704	793	62	2.95	GKA107R77	
20	171	67.80	5.3	1.15			2.0	2374	696	62	3.35	GKAF107R77	
23	148	58.61	5.2	1.35			2.3	2094	614	62	3.80		
27	126	49.79	5.1	1.55			0.97	4877	1430	38	0.90		
30	112	44.46	5.0	1.75			1.1	4300	1261	38	1.00		
35	96	37.97	4.8	2.10			1.3	3758	1102	38	1.15		
37	90	35.57	4.7	2.20			1.5	3264	957	38	1.30		
44	76	29.96	4.6	2.60			1.6	2916	855	38	1.45	GK97R57	
46	73	28.83	4.5	2.70	GK37	4P	1.9	2534	743	38	1.70	GKF97R57	
53	63	24.99	4.4	3.10	GKF37		2.1	2220	651	38	1.95	GKA97R57	
57	59	23.36	4.3	3.30	GKA37		2.4	1954	573	38	2.20	GKAF97R57	
66	51	20.19	4.1	3.60	GKAF37		2.8	1719	504	38	2.50		
78	43	17.15	4.0	4.10				3.2	1490	437	38	2.90	
87	39	15.32	3.8	4.50				3.6	1303	382	38	3.30	
102	33	13.08	3.7	4.90				4.6	1040	305	38	4.15	
110	31	12.14	3.6	5.10				1.5	3243	951	25	0.85	
127	26	10.49	3.4	5.90				1.7	2854	837	26	0.95	
149	22	8.91	3.3	7.00				1.9	2476	726	26	1.10	
167	20	7.96	3.2	7.60			2.2	2176	638	27	1.25		
196	17	6.80	3.0	8.60			2.5	1917	562	27	1.40	GK87R57	
209	16	6.37	3.0	8.90			2.9	1617	474	27	1.65	GKF87R57	
248	14	5.36	2.8	10			3.3	1453	426	27	1.85	GKA87R57	
0.55kW							0.55kW						
0.09	51772	15181	162	0.95			3.7	1272	373	27	2.10	GKAF87R57	
0.11	43519	12761	171	1.10	GK187R97	4P	4.2	1125	330	27	2.40		
0.12	39993	11727	171	1.20	GKA187R97		4.7	1003	294	27	2.70		
0.13	35515	10414	171	1.35				5.6	853	250	27	3.15	
0.21	22389	6565	171	2.10				5.9	805	236	27	3.35	
0.12	39219	11500	135	0.85				6.9	685	201	27	3.95	
0.14	34782	10199	135	0.95			2.5	1886	553	5.5	0.80		
0.16	29237	8573	135	1.15	GK167R97	4P	2.9	1654	485	14	0.95		
0.22	22007	6453	135	1.50	GKA167R97		3.2	1460	428	15	1.05		
0.26	17959	5266	135	1.85				3.8	1255	368	16	1.25	GK77R37
0.34	13822	4053	135	2.40				4.2	1119	328	17	1.40	GKF77R37
0.20	23709	6952	104	0.75	GK157R97		4P	4.8	992	291	17	1.55	GKA77R37
0.23	20616	6045	106	0.85	GKF157R97	5.5		859	252	18	1.80	GKAF77R37	
0.39	12202	3578	109	1.50	GKA157R97	6.3		754	221	18	2.05		
0.45	10606	3110	110	1.70	GKAF157R97	7.1		665	195	18	2.35		
0.32	14774	4332	72	0.90				7.9	597	175	19	2.60	
0.36	13143	3854	75	1.00	GK127R77	4P	9.0	525	154	19	2.95		
0.42	11193	3282	76	1.15	GKF127R77		5.0	951	279	7	0.85		
0.47	10170	2982	77	1.30	GKA127R77		5.7	839	246	10	1.00		
0.54	8812	2584	77	1.50	GKAF127R77		6.4	740	217	10	1.10	GK67R37	
0.73	6510	1909	78	2.00				7.3	651	191	11	1.25	GKF67R37
0.80	5937	1741	78	2.20	GK127R77	4P	8.4	566	166	11	1.45	GKA67R37	
0.91	5208	1527	78	2.50	GKF127R77		9.7	491	144	12	1.65	GKAF67R37	
1.0	4553	1335	78	2.85	GKA127R77		11	416	122	12	1.95		
1.2	3994	1171	78	3.25	GKAF127R77		7.2	655	192	4.9	0.90		
1.4	3410	1000	78	3.80				8.4	566	166	7.5	1.05	GK57R37
0.47	10153	2977	62	0.80	GK107R77	4P	9.6	495	145	8.0	1.20	GKF57R37	
0.54	8860	2598	62	0.90	GKF107R77		11	440	129	8.2	1.35	GKA57R37	
0.61	7796	2286	62	1.05	GKA107R77		13	379	111	8.5	1.60	GKAF57R37	
0.72	6613	1939	62	1.20	GKAF107R77		14	331	97	8.7	1.80		
0.81	5842	1713	62	1.35	GK107R77								
0.89	5303	1555	62	1.50	GKF107R77	4P	3.8	1317	174.19	27	2.00	GK87	
1.0	4556	1336	62	1.75	GKA107R77		4.0	1242	164.34	27	2.10	GKF87	
1.2	3976	1166	62	2.00	GKAF107R77		4.5	1114	147.32	27	2.40	GKA87	
													8P

选型参数表
(恒功率)
Selection Table
(Constant Power)

n_a [r/min]	M_a [Nm]	i	F_{ra} [kN]	f_B	机型号 Type size	极数 Pole	n_a [r/min]	M_a [Nm]	i	F_{ra} [kN]	f_B	机型号 Type size	极数 Pole																																																																																																																																																																																																																																																																																																																																																																																																																																																																																																																																																																																																																																																																	
0.55kW							0.55kW																																																																																																																																																																																																																																																																																																																																																																																																																																																																																																																																																																																																																																																																							
4.5	1107	197.37	27	2.30	GK87	6P	106	47	13.08	3.5	3.30	GK37 GKF37 GKA37 GKAF37	4P																																																																																																																																																																																																																																																																																																																																																																																																																																																																																																																																																																																																																																																																	
5.1	977	174.19	27	2.70	GKF87		5.4	921	164.34	27	2.80			GKA87	6.0	826	147.32	27	3.10	GKAF87	4.9	1025	135.51	17	1.50	GK77	8P	175	29	7.96	3.1	5.10	GKAF37		5.1	973	128.73	17	1.55	GKF77	5.8	860	113.75	18	1.75	GKA77	6.8	735	97.21	18	2.10	GKAF77	5.8	865	154.28	18	1.70	GK77	6P	0.75kW							6.6	760	135.51	18	1.95	GKF77	0.12	54536	11727	158	0.85	GK187R97 GKA187R97	4P	6.9	722	128.73	18	2.10	GKA77	0.13	48430	10414	169	0.95	7.8	638	113.75	18	2.30	GKAF77	0.21	30530	6565	171	1.50	9.0	554	154.28	19	2.60	GK77 GKF77 GKA77 GKAF77	4P	0.23	28056	6033	171	1.65	10	486	135.51	19	3.00	0.26	24917	5358	171	1.90	11	462	128.73	19	3.10	0.16	39868	8573	135	0.85	GK167R97 GKA167R97	4P	12	408	113.75	19	3.50	0.22	30009	6453	135	1.10	14	349	97.21	19	4.10	0.26	24489	5266	135	1.35	7.2	693	123.54	11	1.15	GK67 GKF67 GKA67 GKAF67	6P	0.34	18848	4053	135	1.75	8.2	606	108.02	11	1.30	0.42	15440	3320	135	2.10	8.7	575	102.62	11	1.35	0.39	16639	3578	107	1.10	GK157R97 GKF157R97 GKA157R97 GKAF157R97	4P	9.9	505	90.04	12	1.55	0.45	14463	3110	108	1.25	12	428	76.37	12	1.85	GK67 GKF67 GKA67 GKAF67	4P	0.83	7757	1668	110	2.30	11	443	123.54	12	1.70	1.0	6385	1373	110	2.80	13	388	108.02	12	1.95	GK157R97 GKF157R97 GKA157R97 GKAF157R97	4P	0.42	15263	3282	72	0.85	15	323	90.04	12	2.40	0.47	13868	2982	75	0.95	18	274	76.37	12	2.80	0.54	12017	2584	76	1.10	8.2	607	108.29	7.0	0.95	GK57 GKF57 GKA57 GKAF57	6P	0.73	8878	1909	77	1.45	8.7	577	102.88	7.2	1.00	0.80	8096	1741	77	1.60	9.9	506	90.26	7.8	1.15	GK127R77 GKF127R77 GKA127R77 GKAF127R77	4P	0.91	7073	1521	78	1.85	12	429	76.56	8.2	1.35	1.0	6208	1335	78	2.10	13	388	69.12	8.4	1.50	1.2	5446	1171	78	2.40	15	341	60.81	8.6	1.70	1.4	4650	1000	78	2.80	15	322	57.42	8.7	1.80	GK127R77 GKF127R77 GKA127R77 GKAF127R77	4P	1.6	4078	877	78	3.20	11	445	123.85	8.1	1.25	0.81	7966	1713	62	1.00	13	389	108.29	8.4	1.45	0.89	7231	1555	62	1.10	14	369	102.88	8.4	1.50	1.0	6213	1336	62	1.30	15	324	90.26	8.6	1.70	GK57 GKF57 GKA57 GKAF57	4P	1.2	5422	1166	62	1.50	18	275	76.56	8.8	2.00	1.3	4790	1030	62	1.65	20	248	69.12	8.9	2.20	1.5	4204	904	62	1.90	23	218	60.81	9.0	2.60	1.8	3688	793	62	2.15	24	206	57.42	9.1	2.70	GK47 GKF47 GKA47 GKAF47	4P	2.0	3237	696	62	2.45	13	375	104.37	5.6	1.00	2.3	2855	614	62	2.80	15	326	90.86	6.2	1.15	1.3	5125	1102	38	0.85	16	306	85.12	6.5	1.50	1.5	4451	957	38	0.95	18	270	75.20	6.8	1.40	GK107R77 GKF107R77 GKA107R77 GKAF107R77	4P	1.6	3976	855	38	1.10	20	251	69.84	6.9	1.50	1.9	3455	743	38	1.25	22	227	63.30	7.1	1.65	2.1	3027	651	38	1.40	24	204	56.83	7.3	1.80	2.4	2665	573	38	1.60	28	176	48.95	7.4	2.10	GK97R57 GKF97R57 GKA97R57 GKAF97R57	4P	2.8	2344	504	38	1.85	30	165	46.04	7.5	2.20	3.2	2032	437	38	2.10	24	210	58.61	4.6	0.90	3.6	1776	382	38	2.40	28	179	49.79	4.6	1.05	4.6	1418	305	38	3.05	31	160	44.46	4.5	1.15	5.4	1200	258	38	3.60	37	136	37.97	4.4	1.35	6.0	1079	232	38	4.00	39	128	35.57	4.4	1.45	7.0	925	199	38	4.65	46	108	29.96	4.2	1.75	GK37 GKF37 GKA37 GKAF37	4P								48	103	28.83	4.2	1.80	56	90	24.99	4.1	2.10	60	84	23.36	4.0	2.20	69	72	20.19	3.9	2.40	81	62	17.15	3.8	2.70	91	55	15.31	3.7	3.00																																																					
5.4	921	164.34	27	2.80	GKA87		6.0	826	147.32	27	3.10			GKAF87	4.9	1025	135.51	17	1.50	GK77	8P	175	29	7.96	3.1	5.10		GKAF37		5.1	973	128.73			17	1.55	GKF77	5.8	860	113.75	18	1.75	GKA77	6.8	735	97.21	18	2.10	GKAF77	5.8	865	154.28	18	1.70	GK77	6P	0.75kW							6.6	760	135.51	18	1.95	GKF77	0.12	54536	11727	158	0.85	GK187R97 GKA187R97	4P	6.9			722	128.73	18	2.10	GKA77	0.13	48430	10414	169	0.95	7.8	638	113.75	18	2.30	GKAF77	0.21	30530	6565	171	1.50	9.0	554	154.28	19	2.60	GK77 GKF77 GKA77 GKAF77			4P	0.23	28056	6033	171	1.65	10	486	135.51	19	3.00	0.26	24917	5358	171	1.90	11	462	128.73	19	3.10	0.16	39868	8573	135			0.85	GK167R97 GKA167R97	4P	12	408	113.75	19	3.50	0.22	30009	6453	135	1.10	14	349	97.21	19	4.10	0.26	24489	5266	135	1.35	7.2	693			123.54	11	1.15	GK67 GKF67 GKA67 GKAF67	6P	0.34	18848	4053	135	1.75	8.2	606	108.02	11	1.30	0.42	15440	3320	135	2.10	8.7	575	102.62	11	1.35			0.39	16639	3578	107	1.10	GK157R97 GKF157R97 GKA157R97 GKAF157R97	4P	9.9	505	90.04	12	1.55	0.45	14463	3110			108	1.25	12	428	76.37	12	1.85	GK67 GKF67 GKA67 GKAF67	4P	0.83	7757	1668	110	2.30	11	443	123.54	12	1.70	1.0			6385	1373	110	2.80	13	388	108.02	12	1.95	GK157R97 GKF157R97 GKA157R97 GKAF157R97	4P	0.42	15263	3282	72	0.85	15	323	90.04	12	2.40	0.47	13868	2982	75	0.95	18	274	76.37	12			2.80	0.54	12017	2584	76	1.10	8.2	607	108.29	7.0	0.95	GK57 GKF57 GKA57 GKAF57	6P	0.73	8878	1909	77	1.45	8.7	577			102.88	7.2	1.00	0.80	8096	1741	77	1.60	9.9	506	90.26	7.8	1.15	GK127R77 GKF127R77 GKA127R77 GKAF127R77	4P	0.91	7073	1521	78	1.85	12	429	76.56	8.2	1.35	1.0	6208	1335	78	2.10	13	388	69.12	8.4	1.50	1.2	5446	1171	78	2.40			15	341	60.81	8.6	1.70	1.4	4650	1000	78	2.80	15	322	57.42	8.7	1.80	GK127R77 GKF127R77 GKA127R77 GKAF127R77	4P	1.6	4078	877	78	3.20	11	445	123.85	8.1	1.25	0.81	7966	1713	62	1.00	13	389	108.29	8.4	1.45	0.89	7231	1555			62	1.10	14	369	102.88	8.4	1.50	1.0	6213	1336	62	1.30	15	324	90.26	8.6	1.70	GK57 GKF57 GKA57 GKAF57	4P	1.2	5422	1166	62	1.50	18	275	76.56	8.8	2.00	1.3	4790	1030	62	1.65	20	248	69.12	8.9	2.20	1.5			4204	904	62	1.90	23	218	60.81	9.0	2.60	1.8	3688	793	62	2.15	24	206	57.42	9.1	2.70	GK47 GKF47 GKA47 GKAF47	4P	2.0	3237	696	62	2.45	13	375	104.37	5.6	1.00	2.3	2855	614	62	2.80	15	326	90.86	6.2			1.15	1.3	5125	1102	38	0.85	16	306	85.12	6.5	1.50	1.5	4451	957	38	0.95	18	270	75.20	6.8	1.40	GK107R77 GKF107R77 GKA107R77 GKAF107R77	4P	1.6	3976	855	38	1.10	20	251	69.84	6.9	1.50	1.9	3455	743	38	1.25	22	227			63.30	7.1	1.65	2.1	3027	651	38	1.40	24	204	56.83	7.3	1.80	2.4	2665	573	38	1.60	28	176	48.95	7.4	2.10	GK97R57 GKF97R57 GKA97R57 GKAF97R57	4P	2.8	2344	504	38	1.85	30	165	46.04	7.5	2.20	3.2	2032	437	38	2.10	24	210	58.61	4.6	0.90	3.6	1776	382	38	2.40	28	179	49.79	4.6	1.05	4.6	1418	305	38	3.05	31	160	44.46	4.5	1.15	5.4	1200	258	38	3.60			37	136	37.97	4.4	1.35	6.0	1079	232	38	4.00	39	128	35.57	4.4	1.45	7.0	925	199	38	4.65	46	108	29.96	4.2	1.75	GK37 GKF37 GKA37 GKAF37	4P								48	103	28.83	4.2	1.80	56	90	24.99	4.1	2.10	60	84	23.36	4.0	2.20	69	72	20.19	3.9	2.40	81	62	17.15	3.8	2.70	91	55	15.31	3.7	3.00																										
6.0	826	147.32	27	3.10	GKAF87		4.9	1025	135.51	17	1.50			GK77	8P	175	29	7.96	3.1	5.10		GKAF37		5.1	973	128.73				17	1.55	GKF77			5.8	860	113.75	18	1.75	GKA77	6.8	735	97.21	18	2.10	GKAF77	5.8	865	154.28	18	1.70	GK77	6P	0.75kW							6.6	760	135.51	18	1.95	GKF77	0.12	54536	11727	158	0.85	GK187R97 GKA187R97	4P	6.9			722			128.73	18	2.10	GKA77	0.13	48430	10414	169	0.95	7.8	638	113.75	18	2.30	GKAF77	0.21	30530	6565	171	1.50	9.0	554	154.28	19	2.60	GK77 GKF77 GKA77 GKAF77					4P	0.23	28056	6033	171	1.65	10	486	135.51	19	3.00	0.26	24917	5358	171	1.90	11	462	128.73	19	3.10	0.16	39868	8573			135			0.85	GK167R97 GKA167R97	4P	12	408	113.75	19	3.50	0.22	30009	6453	135	1.10	14	349	97.21	19	4.10	0.26	24489	5266	135			1.35	7.2	693			123.54	11	1.15	GK67 GKF67 GKA67 GKAF67	6P	0.34	18848	4053	135	1.75	8.2	606	108.02	11	1.30	0.42	15440	3320	135	2.10			8.7	575	102.62	11	1.35			0.39	16639	3578	107	1.10	GK157R97 GKF157R97 GKA157R97 GKAF157R97	4P	9.9			505	90.04	12	1.55	0.45	14463	3110			108	1.25	12	428	76.37	12	1.85	GK67 GKF67 GKA67 GKAF67	4P	0.83	7757			1668	110	2.30	11	443	123.54	12	1.70	1.0			6385	1373	110	2.80	13	388	108.02	12	1.95	GK157R97 GKF157R97 GKA157R97 GKAF157R97	4P	0.42	15263	3282	72	0.85	15	323	90.04			12	2.40	0.47	13868	2982	75	0.95	18	274	76.37	12			2.80	0.54	12017	2584	76	1.10	8.2			607	108.29	7.0	0.95	GK57 GKF57 GKA57 GKAF57	6P	0.73	8878	1909	77	1.45	8.7	577			102.88	7.2	1.00	0.80	8096	1741	77	1.60	9.9	506	90.26	7.8	1.15	GK127R77 GKF127R77 GKA127R77 GKAF127R77	4P	0.91	7073	1521	78	1.85	12	429	76.56	8.2	1.35			1.0	6208	1335	78	2.10	13	388	69.12	8.4	1.50	1.2	5446	1171	78	2.40			15	341	60.81	8.6	1.70	1.4	4650	1000	78	2.80	15	322	57.42	8.7	1.80	GK127R77 GKF127R77 GKA127R77 GKAF127R77	4P	1.6	4078	877	78	3.20	11			445	123.85	8.1	1.25	0.81	7966	1713	62	1.00	13	389	108.29	8.4	1.45	0.89	7231	1555			62	1.10	14	369	102.88	8.4	1.50	1.0	6213	1336	62	1.30	15	324	90.26	8.6	1.70	GK57 GKF57 GKA57 GKAF57	4P	1.2	5422			1166	62	1.50	18	275	76.56	8.8	2.00	1.3	4790	1030	62	1.65	20	248	69.12	8.9	2.20	1.5			4204	904	62	1.90	23	218	60.81	9.0	2.60	1.8	3688	793	62	2.15	24	206	57.42	9.1	2.70			GK47 GKF47 GKA47 GKAF47	4P	2.0	3237	696	62	2.45	13	375	104.37	5.6	1.00	2.3	2855	614	62	2.80	15	326	90.86	6.2			1.15	1.3	5125	1102	38	0.85	16	306	85.12	6.5	1.50	1.5	4451	957	38	0.95	18			270	75.20	6.8	1.40	GK107R77 GKF107R77 GKA107R77 GKAF107R77	4P	1.6	3976	855	38	1.10	20	251	69.84	6.9	1.50	1.9	3455	743	38	1.25	22	227			63.30	7.1	1.65	2.1	3027	651	38	1.40	24	204	56.83	7.3	1.80	2.4	2665	573	38	1.60	28	176	48.95	7.4	2.10	GK97R57 GKF97R57 GKA97R57 GKAF97R57	4P	2.8	2344	504	38	1.85	30	165	46.04	7.5	2.20	3.2	2032	437	38	2.10	24	210	58.61	4.6	0.90			3.6	1776	382	38	2.40	28	179	49.79	4.6	1.05	4.6	1418	305	38	3.05	31	160	44.46	4.5	1.15	5.4	1200	258	38	3.60			37	136	37.97	4.4	1.35	6.0	1079	232	38	4.00	39	128	35.57	4.4	1.45	7.0	925	199	38	4.65	46	108	29.96	4.2	1.75	GK37 GKF37 GKA37 GKAF37	4P								48	103	28.83	4.2	1.80	56	90	24.99	4.1	2.10	60	84	23.36	4.0	2.20	69	72	20.19	3.9	2.40	81	62	17.15	3.8	2.70	91	55	15.31	3.7
4.9	1025	135.51	17	1.50	GK77	8P	175	29	7.96	3.1	5.10	GKAF37																																																																																																																																																																																																																																																																																																																																																																																																																																																																																																																																																																																																																																																																		
5.1	973	128.73	17	1.55	GKF77		5.8	860	113.75	18	1.75			GKA77		6.8	735	97.21	18	2.10				GKAF77	5.8	865	154.28			18	1.70	GK77	6P	0.75kW							6.6	760	135.51	18	1.95	GKF77	0.12	54536	11727	158	0.85	GK187R97 GKA187R97		4P	6.9		722	128.73	18	2.10	GKA77	0.13	48430	10414	169	0.95	7.8	638	113.75	18	2.30			GKAF77			0.21	30530	6565	171	1.50	9.0	554	154.28	19	2.60	GK77 GKF77 GKA77 GKAF77	4P	0.23	28056	6033	171	1.65	10	486	135.51	19	3.00	0.26	24917	5358	171	1.90	11			462	128.73			19	3.10	0.16	39868	8573	135	0.85	GK167R97 GKA167R97	4P	12	408	113.75	19	3.50	0.22	30009	6453	135	1.10	14	349	97.21	19	4.10	0.26	24489			5266			135	1.35	7.2	693	123.54	11	1.15	GK67 GKF67 GKA67 GKAF67	6P	0.34	18848	4053	135	1.75	8.2	606	108.02	11	1.30	0.42	15440	3320	135	2.10			8.7	575	102.62			11	1.35	0.39	16639	3578	107	1.10	GK157R97 GKF157R97 GKA157R97 GKAF157R97	4P	9.9	505	90.04	12	1.55	0.45	14463	3110	108	1.25	12	428	76.37			12	1.85	GK67 GKF67 GKA67 GKAF67	4P	0.83			7757	1668	110	2.30	11	443	123.54	12	1.70	1.0			6385	1373	110	2.80	13	388	108.02			12	1.95	GK157R97 GKF157R97 GKA157R97 GKAF157R97	4P	0.42	15263	3282	72	0.85	15	323	90.04	12			2.40	0.47	13868	2982	75	0.95	18	274	76.37			12	2.80	0.54	12017	2584	76	1.10	8.2	607	108.29	7.0	0.95	GK57 GKF57 GKA57 GKAF57	6P	0.73	8878	1909	77	1.45	8.7	577			102.88	7.2	1.00	0.80	8096	1741	77	1.60	9.9	506	90.26	7.8	1.15			GK127R77 GKF127R77 GKA127R77 GKAF127R77	4P	0.91	7073	1521	78	1.85			12	429	76.56	8.2	1.35	1.0	6208	1335	78	2.10	13	388	69.12			8.4	1.50	1.2	5446	1171	78	2.40	15	341	60.81	8.6	1.70	1.4	4650	1000	78	2.80	15	322	57.42	8.7	1.80	GK127R77 GKF127R77 GKA127R77 GKAF127R77	4P	1.6	4078	877			78	3.20	11	445	123.85	8.1	1.25	0.81	7966	1713	62	1.00	13	389	108.29			8.4	1.45	0.89	7231	1555	62	1.10	14	369	102.88	8.4	1.50	1.0	6213	1336	62	1.30	15	324	90.26	8.6	1.70	GK57 GKF57 GKA57 GKAF57	4P	1.2			5422	1166	62	1.50	18	275	76.56	8.8	2.00	1.3	4790	1030	62	1.65	20	248	69.12			8.9	2.20	1.5	4204	904	62	1.90	23	218	60.81	9.0	2.60	1.8	3688	793	62	2.15	24	206	57.42	9.1	2.70	GK47 GKF47 GKA47 GKAF47			4P	2.0	3237	696	62	2.45	13	375	104.37	5.6	1.00	2.3	2855	614	62	2.80	15	326	90.86	6.2	1.15			1.3	5125	1102	38	0.85	16	306	85.12	6.5	1.50	1.5	4451	957	38	0.95	18	270	75.20	6.8			1.40	GK107R77 GKF107R77 GKA107R77 GKAF107R77	4P	1.6	3976	855	38	1.10	20	251	69.84	6.9	1.50	1.9	3455	743	38	1.25	22	227	63.30	7.1	1.65			2.1	3027	651	38	1.40	24	204	56.83	7.3	1.80	2.4	2665	573	38	1.60	28	176			48.95	7.4	2.10	GK97R57 GKF97R57 GKA97R57 GKAF97R57	4P	2.8	2344	504	38	1.85	30	165	46.04	7.5	2.20	3.2	2032	437	38	2.10	24	210	58.61			4.6	0.90	3.6	1776	382	38	2.40	28	179	49.79	4.6	1.05	4.6	1418	305	38	3.05	31	160	44.46	4.5	1.15	5.4	1200	258	38	3.60	37	136	37.97	4.4	1.35	6.0	1079	232	38	4.00	39	128	35.57	4.4	1.45	7.0	925	199	38	4.65			46	108	29.96	4.2	1.75	GK37 GKF37 GKA37 GKAF37	4P								48	103	28.83	4.2	1.80	56	90	24.99	4.1	2.10	60			84	23.36	4.0	2.20	69	72	20.19	3.9	2.40	81	62	17.15	3.8	2.70	91	55	15.31	3.7	3.00																	
5.8	860	113.75	18	1.75	GKA77		6.8	735	97.21	18	2.10			GKAF77		5.8	865	154.28	18	1.70	GK77			6P	0.75kW							6.6		760	135.51	18	1.95	GKF77	0.12	54536	11727	158	0.85	GK187R97 GKA187R97	4P	6.9	722	128.73	18	2.10	GKA77				0.13	48430	10414	169	0.95	7.8	638	113.75	18	2.30	GKAF77	0.21	30530	6565	171	1.50	9.0			554	154.28	19	2.60	GK77 GKF77 GKA77 GKAF77	4P	0.23	28056	6033	171	1.65	10	486			135.51	19	3.00	0.26	24917	5358	171	1.90	11	462	128.73	19	3.10	0.16	39868	8573		135	0.85	GK167R97 GKA167R97	4P		12	408	113.75	19	3.50	0.22	30009			6453	135	1.10	14	349	97.21	19	4.10	0.26	24489	5266	135	1.35	7.2	693	123.54	11	1.15	GK67 GKF67 GKA67 GKAF67	6P			0.34	18848	4053	135	1.75	8.2	606			108.02	11	1.30	0.42	15440	3320	135	2.10	8.7	575	102.62	11	1.35	0.39	16639	3578	107	1.10	GK157R97 GKF157R97 GKA157R97 GKAF157R97	4P			9.9	505	90.04	12	1.55	0.45	14463			3110	108	1.25	12	428	76.37	12	1.85	GK67 GKF67 GKA67 GKAF67	4P	0.83	7757	1668	110	2.30	11	443			123.54			12	1.70	1.0	6385	1373	110	2.80	13	388	108.02	12	1.95	GK157R97 GKF157R97 GKA157R97 GKAF157R97	4P	0.42	15263	3282	72	0.85			15	323			90.04	12	2.40	0.47	13868	2982	75	0.95	18	274	76.37	12	2.80	0.54	12017	2584	76	1.10	8.2	607			108.29	7.0	0.95	GK57 GKF57 GKA57 GKAF57	6P	0.73	8878	1909	77	1.45	8.7	577			102.88	7.2	1.00	0.80	8096	1741	77	1.60	9.9	506	90.26	7.8	1.15	GK127R77 GKF127R77 GKA127R77 GKAF127R77	4P	0.91	7073	1521	78	1.85	12	429					76.56	8.2	1.35	1.0	6208	1335	78	2.10	13	388	69.12	8.4	1.50	1.2	5446	1171	78	2.40	15	341			60.81	8.6	1.70	1.4	4650	1000	78	2.80	15	322	57.42	8.7	1.80	GK127R77 GKF127R77 GKA127R77 GKAF127R77	4P	1.6	4078	877	78	3.20	11	445			123.85	8.1	1.25	0.81	7966	1713	62	1.00	13	389	108.29	8.4	1.45	0.89	7231	1555	62	1.10	14	369			102.88	8.4	1.50	1.0	6213	1336	62	1.30	15	324	90.26	8.6	1.70	GK57 GKF57 GKA57 GKAF57	4P	1.2	5422	1166	62	1.50	18	275			76.56	8.8	2.00	1.3	4790	1030	62	1.65	20	248	69.12	8.9	2.20	1.5	4204	904	62	1.90	23	218			60.81	9.0	2.60	1.8	3688	793	62	2.15	24	206	57.42	9.1	2.70	GK47 GKF47 GKA47 GKAF47	4P	2.0	3237	696	62	2.45	13	375		104.37	5.6		1.00	2.3	2855	614	62	2.80	15	326	90.86	6.2	1.15	1.3	5125	1102	38	0.85	16	306	85.12	6.5			1.50	1.5	4451	957	38	0.95	18	270	75.20	6.8	1.40	GK107R77 GKF107R77 GKA107R77 GKAF107R77	4P	1.6	3976	855	38	1.10	20	251	69.84	6.9			1.50	1.9	3455	743	38	1.25	22	227	63.30	7.1	1.65	2.1	3027	651	38	1.40	24	204	56.83	7.3			1.80	2.4	2665	573	38	1.60	28	176	48.95	7.4	2.10	GK97R57 GKF97R57 GKA97R57 GKAF97R57	4P	2.8	2344	504	38	1.85	30	165	46.04	7.5			2.20	3.2	2032	437	38	2.10	24	210	58.61	4.6	0.90	3.6	1776	382	38	2.40	28	179			49.79	4.6	1.05	4.6	1418	305	38	3.05	31	160	44.46	4.5	1.15	5.4	1200	258	38	3.60	37	136	37.97	4.4	1.35	6.0	1079	232	38	4.00	39	128	35.57	4.4	1.45	7.0	925	199	38	4.65	46	108	29.96	4.2	1.75	GK37 GKF37 GKA37 GKAF37	4P								48	103			28.83	4.2	1.80	56	90	24.99	4.1	2.10	60	84	23.36	4.0	2.20	69	72	20.19	3.9	2.40			81	62	17.15	3.8	2.70	91	55	15.31	3.7	3.00																										
6.8	735	97.21	18	2.10	GKAF77		5.8	865	154.28	18	1.70			GK77	6P	0.75kW							6.6		760	135.51	18	1.95	GKF77	0.12	54536	11727		158	0.85	GK187R97 GKA187R97	4P	6.9	722	128.73	18	2.10	GKA77			0.13	48430	10414	169	0.95	7.8		638		113.75	18	2.30	GKAF77	0.21	30530	6565	171	1.50	9.0	554	154.28	19	2.60	GK77 GKF77 GKA77 GKAF77	4P	0.23	28056	6033	171	1.65	10	486			135.51	19	3.00	0.26	24917	5358	171			1.90	11	462	128.73	19	3.10	0.16	39868	8573	135	0.85	GK167R97 GKA167R97	4P	12	408	113.75	19	3.50	0.22			30009	6453	135	1.10	14	349	97.21	19			4.10	0.26	24489	5266	135	1.35	7.2	693	123.54	11	1.15	GK67 GKF67 GKA67 GKAF67	6P	0.34	18848	4053	135	1.75			8.2	606	108.02	11	1.30	0.42	15440	3320	135			2.10	8.7	575	102.62	11	1.35	0.39	16639	3578	107	1.10	GK157R97 GKF157R97 GKA157R97 GKAF157R97	4P	9.9	505	90.04	12	1.55			0.45	14463	3110	108	1.25	12	428	76.37	12			1.85	GK67 GKF67 GKA67 GKAF67	4P	0.83	7757	1668	110	2.30			11	443	123.54	12	1.70	1.0	6385			1373	110	2.80	13	388	108.02	12	1.95	GK157R97 GKF157R97 GKA157R97 GKAF157R97	4P	0.42	15263	3282	72	0.85			15	323	90.04	12	2.40	0.47	13868	2982	75			0.95	18	274	76.37	12	2.80	0.54	12017	2584	76	1.10	8.2	607	108.29	7.0	0.95	GK57 GKF57 GKA57 GKAF57	6P	0.73	8878	1909	77	1.45	8.7	577			102.88	7.2	1.00	0.80	8096	1741	77			1.60	9.9	506	90.26	7.8	1.15	GK127R77 GKF127R77 GKA127R77 GKAF127R77	4P	0.91	7073	1521	78	1.85			12	429	76.56	8.2	1.35	1.0	6208	1335	78			2.10	13	388	69.12	8.4	1.50	1.2	5446	1171	78	2.40	15	341	60.81	8.6	1.70	1.4	4650	1000	78	2.80	15	322	57.42	8.7	1.80	GK127R77 GKF127R77 GKA127R77 GKAF127R77	4P	1.6	4078	877	78	3.20	11	445			123.85	8.1	1.25	0.81	7966	1713	62			1.00	13	389	108.29	8.4	1.45	0.89	7231	1555	62	1.10	14	369	102.88	8.4	1.50	1.0	6213	1336	62	1.30	15	324	90.26	8.6	1.70	GK57 GKF57 GKA57 GKAF57	4P	1.2	5422	1166	62	1.50	18	275			76.56	8.8	2.00	1.3	4790	1030	62			1.65	20	248	69.12	8.9	2.20	1.5	4204	904	62	1.90	23	218	60.81	9.0	2.60	1.8	3688	793	62	2.15	24	206	57.42	9.1	2.70	GK47 GKF47 GKA47 GKAF47	4P	2.0	3237	696	62	2.45	13	375			104.37	5.6	1.00	2.3	2855	614	62		2.80	15		326	90.86	6.2	1.15	1.3	5125	1102	38	0.85	16	306	85.12	6.5	1.50	1.5	4451	957	38	0.95	18	270	75.20	6.8	1.40	GK107R77 GKF107R77 GKA107R77 GKAF107R77	4P	1.6	3976	855	38	1.10	20	251			69.84	6.9	1.50	1.9	3455	743	38	1.25	22			227	63.30	7.1	1.65	2.1	3027	651	38	1.40	24	204	56.83	7.3	1.80	2.4	2665	573	38	1.60	28	176	48.95	7.4	2.10	GK97R57 GKF97R57 GKA97R57 GKAF97R57	4P	2.8	2344	504	38	1.85	30	165			46.04	7.5	2.20	3.2	2032	437	38	2.10	24			210	58.61	4.6	0.90	3.6	1776	382	38	2.40	28	179	49.79	4.6	1.05	4.6	1418	305	38	3.05	31	160	44.46	4.5	1.15	5.4	1200	258	38	3.60	37	136	37.97	4.4	1.35	6.0	1079	232	38	4.00	39	128	35.57	4.4	1.45	7.0	925	199	38	4.65	46	108	29.96	4.2	1.75	GK37 GKF37 GKA37 GKAF37	4P										48	103	28.83	4.2	1.80	56	90	24.99	4.1			2.10	60	84	23.36	4.0	2.20	69	72	20.19	3.9	2.40	81	62	17.15	3.8	2.70	91	55	15.31	3.7	3.00																																			
5.8	865	154.28	18	1.70	GK77	6P	0.75kW																																																																																																																																																																																																																																																																																																																																																																																																																																																																																																																																																																																																																																																																							
6.6	760	135.51	18	1.95	GKF77		0.12	54536	11727	158	0.85	GK187R97 GKA187R97	4P																																																																																																																																																																																																																																																																																																																																																																																																																																																																																																																																																																																																																																																																	
6.9	722	128.73	18	2.10	GKA77		0.13	48430	10414	169	0.95																																																																																																																																																																																																																																																																																																																																																																																																																																																																																																																																																																																																																																																																			
7.8	638	113.75	18	2.30	GKAF77		0.21	30530	6565	171	1.50																																																																																																																																																																																																																																																																																																																																																																																																																																																																																																																																																																																																																																																																			
9.0	554	154.28	19	2.60	GK77 GKF77 GKA77 GKAF77	4P	0.23	28056	6033	171	1.65																																																																																																																																																																																																																																																																																																																																																																																																																																																																																																																																																																																																																																																																			
10	486	135.51	19	3.00			0.26	24917	5358	171	1.90																																																																																																																																																																																																																																																																																																																																																																																																																																																																																																																																																																																																																																																																			
11	462	128.73	19	3.10			0.16	39868	8573	135	0.85	GK167R97 GKA167R97	4P																																																																																																																																																																																																																																																																																																																																																																																																																																																																																																																																																																																																																																																																	
12	408	113.75	19	3.50			0.22	30009	6453	135	1.10																																																																																																																																																																																																																																																																																																																																																																																																																																																																																																																																																																																																																																																																			
14	349	97.21	19	4.10	0.26	24489	5266	135	1.35																																																																																																																																																																																																																																																																																																																																																																																																																																																																																																																																																																																																																																																																					
7.2	693	123.54	11	1.15	GK67 GKF67 GKA67 GKAF67	6P	0.34	18848	4053	135	1.75																																																																																																																																																																																																																																																																																																																																																																																																																																																																																																																																																																																																																																																																			
8.2	606	108.02	11	1.30			0.42	15440	3320	135	2.10																																																																																																																																																																																																																																																																																																																																																																																																																																																																																																																																																																																																																																																																			
8.7	575	102.62	11	1.35			0.39	16639	3578	107	1.10	GK157R97 GKF157R97 GKA157R97 GKAF157R97	4P																																																																																																																																																																																																																																																																																																																																																																																																																																																																																																																																																																																																																																																																	
9.9	505	90.04	12	1.55			0.45	14463	3110	108	1.25																																																																																																																																																																																																																																																																																																																																																																																																																																																																																																																																																																																																																																																																			
12	428	76.37	12	1.85	GK67 GKF67 GKA67 GKAF67	4P	0.83	7757	1668	110	2.30																																																																																																																																																																																																																																																																																																																																																																																																																																																																																																																																																																																																																																																																			
11	443	123.54	12	1.70			1.0	6385	1373	110	2.80																																																																																																																																																																																																																																																																																																																																																																																																																																																																																																																																																																																																																																																																			
13	388	108.02	12	1.95			GK157R97 GKF157R97 GKA157R97 GKAF157R97	4P	0.42	15263	3282	72	0.85																																																																																																																																																																																																																																																																																																																																																																																																																																																																																																																																																																																																																																																																	
15	323	90.04	12	2.40					0.47	13868	2982	75	0.95																																																																																																																																																																																																																																																																																																																																																																																																																																																																																																																																																																																																																																																																	
18	274	76.37	12	2.80	0.54	12017			2584	76	1.10																																																																																																																																																																																																																																																																																																																																																																																																																																																																																																																																																																																																																																																																			
8.2	607	108.29	7.0	0.95	GK57 GKF57 GKA57 GKAF57	6P			0.73	8878	1909	77	1.45																																																																																																																																																																																																																																																																																																																																																																																																																																																																																																																																																																																																																																																																	
8.7	577	102.88	7.2	1.00			0.80	8096	1741	77	1.60																																																																																																																																																																																																																																																																																																																																																																																																																																																																																																																																																																																																																																																																			
9.9	506	90.26	7.8	1.15			GK127R77 GKF127R77 GKA127R77 GKAF127R77	4P	0.91	7073	1521	78	1.85																																																																																																																																																																																																																																																																																																																																																																																																																																																																																																																																																																																																																																																																	
12	429	76.56	8.2	1.35					1.0	6208	1335	78	2.10																																																																																																																																																																																																																																																																																																																																																																																																																																																																																																																																																																																																																																																																	
13	388	69.12	8.4	1.50	1.2	5446			1171	78	2.40																																																																																																																																																																																																																																																																																																																																																																																																																																																																																																																																																																																																																																																																			
15	341	60.81	8.6	1.70	1.4	4650			1000	78	2.80																																																																																																																																																																																																																																																																																																																																																																																																																																																																																																																																																																																																																																																																			
15	322	57.42	8.7	1.80	GK127R77 GKF127R77 GKA127R77 GKAF127R77	4P	1.6	4078	877	78	3.20																																																																																																																																																																																																																																																																																																																																																																																																																																																																																																																																																																																																																																																																			
11	445	123.85	8.1	1.25			0.81	7966	1713	62	1.00																																																																																																																																																																																																																																																																																																																																																																																																																																																																																																																																																																																																																																																																			
13	389	108.29	8.4	1.45			0.89	7231	1555	62	1.10																																																																																																																																																																																																																																																																																																																																																																																																																																																																																																																																																																																																																																																																			
14	369	102.88	8.4	1.50			1.0	6213	1336	62	1.30																																																																																																																																																																																																																																																																																																																																																																																																																																																																																																																																																																																																																																																																			
15	324	90.26	8.6	1.70	GK57 GKF57 GKA57 GKAF57	4P	1.2	5422	1166	62	1.50																																																																																																																																																																																																																																																																																																																																																																																																																																																																																																																																																																																																																																																																			
18	275	76.56	8.8	2.00			1.3	4790	1030	62	1.65																																																																																																																																																																																																																																																																																																																																																																																																																																																																																																																																																																																																																																																																			
20	248	69.12	8.9	2.20			1.5	4204	904	62	1.90																																																																																																																																																																																																																																																																																																																																																																																																																																																																																																																																																																																																																																																																			
23	218	60.81	9.0	2.60			1.8	3688	793	62	2.15																																																																																																																																																																																																																																																																																																																																																																																																																																																																																																																																																																																																																																																																			
24	206	57.42	9.1	2.70	GK47 GKF47 GKA47 GKAF47	4P	2.0	3237	696	62	2.45																																																																																																																																																																																																																																																																																																																																																																																																																																																																																																																																																																																																																																																																			
13	375	104.37	5.6	1.00			2.3	2855	614	62	2.80																																																																																																																																																																																																																																																																																																																																																																																																																																																																																																																																																																																																																																																																			
15	326	90.86	6.2	1.15			1.3	5125	1102	38	0.85																																																																																																																																																																																																																																																																																																																																																																																																																																																																																																																																																																																																																																																																			
16	306	85.12	6.5	1.50			1.5	4451	957	38	0.95																																																																																																																																																																																																																																																																																																																																																																																																																																																																																																																																																																																																																																																																			
18	270	75.20	6.8	1.40	GK107R77 GKF107R77 GKA107R77 GKAF107R77	4P	1.6	3976	855	38	1.10																																																																																																																																																																																																																																																																																																																																																																																																																																																																																																																																																																																																																																																																			
20	251	69.84	6.9	1.50			1.9	3455	743	38	1.25																																																																																																																																																																																																																																																																																																																																																																																																																																																																																																																																																																																																																																																																			
22	227	63.30	7.1	1.65			2.1	3027	651	38	1.40																																																																																																																																																																																																																																																																																																																																																																																																																																																																																																																																																																																																																																																																			
24	204	56.83	7.3	1.80			2.4	2665	573	38	1.60																																																																																																																																																																																																																																																																																																																																																																																																																																																																																																																																																																																																																																																																			
28	176	48.95	7.4	2.10	GK97R57 GKF97R57 GKA97R57 GKAF97R57	4P	2.8	2344	504	38	1.85																																																																																																																																																																																																																																																																																																																																																																																																																																																																																																																																																																																																																																																																			
30	165	46.04	7.5	2.20			3.2	2032	437	38	2.10																																																																																																																																																																																																																																																																																																																																																																																																																																																																																																																																																																																																																																																																			
24	210	58.61	4.6	0.90			3.6	1776	382	38	2.40																																																																																																																																																																																																																																																																																																																																																																																																																																																																																																																																																																																																																																																																			
28	179	49.79	4.6	1.05			4.6	1418	305	38	3.05																																																																																																																																																																																																																																																																																																																																																																																																																																																																																																																																																																																																																																																																			
31	160	44.46	4.5	1.15	5.4	1200	258	38	3.60																																																																																																																																																																																																																																																																																																																																																																																																																																																																																																																																																																																																																																																																					
37	136	37.97	4.4	1.35	6.0	1079	232	38	4.00																																																																																																																																																																																																																																																																																																																																																																																																																																																																																																																																																																																																																																																																					
39	128	35.57	4.4	1.45	7.0	925	199	38	4.65																																																																																																																																																																																																																																																																																																																																																																																																																																																																																																																																																																																																																																																																					
46	108	29.96	4.2	1.75	GK37 GKF37 GKA37 GKAF37	4P																																																																																																																																																																																																																																																																																																																																																																																																																																																																																																																																																																																																																																																																								
48	103	28.83	4.2	1.80																																																																																																																																																																																																																																																																																																																																																																																																																																																																																																																																																																																																																																																																										
56	90	24.99	4.1	2.10																																																																																																																																																																																																																																																																																																																																																																																																																																																																																																																																																																																																																																																																										
60	84	23.36	4.0	2.20																																																																																																																																																																																																																																																																																																																																																																																																																																																																																																																																																																																																																																																																										
69	72	20.19	3.9	2.40																																																																																																																																																																																																																																																																																																																																																																																																																																																																																																																																																																																																																																																																										
81	62	17.15	3.8	2.70																																																																																																																																																																																																																																																																																																																																																																																																																																																																																																																																																																																																																																																																										
91	55	15.31	3.7	3.00																																																																																																																																																																																																																																																																																																																																																																																																																																																																																																																																																																																																																																																																										

选型参数表
(恒功率)
Selection Table
(Constant Power)

n_a [r/min]	Ma [Nm]	i	F_{ra} [kN]	f_B	机型号 Type size	极数 Pole	n_a [r/min]	Ma [Nm]	i	F_{ra} [kN]	f_B	机型号 Type size	极数 Pole
0.75kW							0.75kW						
1.9	3376	726	25	0.80			18	368	75.20	5.8	1.00	GK47	
2.2	2967	638	26	0.90			20	342	69.84	6.1	1.10	GKF47	4P
2.5	2614	562	26	1.05			22	310	63.30	6.5	1.20	GKA47	
2.9	2204	474	27	1.25								GKAF47	
3.3	1981	426	27	1.35	GK87R57		24	278	56.83	6.8	1.35		
3.7	1735	373	27	1.55	GKF87R57	4P	28	240	48.95	7.1	1.55	GK47	
4.2	1535	330	27	1.75	GKA87R57		30	225	46.04	7.2	1.65	GKF47	4P
4.7	1367	294	27	2.00	GKAF87R57		35	194	39.61	7.4	1.95	GKA47	
5.6	1163	250	27	2.30			39	173	35.39	7.4	2.20	GKAF47	
5.9	1098	236	27	2.45			44	153	31.30	7.2	2.50		
6.9	935	201	27	2.90			31	218	44.46	4.0	0.85		
3.8	1711	368	13	0.90	GK77R37		37	186	37.97	3.9	1.00		
4.2	1525	328	15	1.00	GKF77R37		39	174	35.57	3.9	1.10		
4.8	1353	291	16	1.15	GKA77R37	4P	46	147	29.96	3.9	1.30		
5.5	1172	252	17	1.30	GKAF77R37		48	141	28.83	3.9	1.35		
6.3	1028	221	17	1.50			56	122	24.99	3.8	1.55		
					GK97		60	114	23.36	3.8	1.60		
3.9	1736	176.05	38	2.30	GKF97	8P	69	99	20.19	3.7	1.75	GK37	
4.5	1511	153.21	38	2.70	GKA97		81	84	17.15	3.6	2.00	GKF37	4P
4.9	1383	140.28	38	3.00	GKAF97		91	75	15.32	3.5	2.20	GKA37	
4.7	1453	147.32	27	1.75	GK87		106	64	13.08	3.4	2.40	GKAF37	
5.4	1252	126.91	27	2.00	GKF87	8P	114	59	12.14	3.3	2.50		
6.0	1142	115.82	27	2.20	GKA87		133	51	10.49	3.2	2.90		
6.7	1013	102.71	27	2.50	GKAF87		156	44	8.91	3.1	3.50		
5.2	1302	174.19	27	1.95	GK87		175	39	7.96	3.0	3.80		
5.5	1229	164.34	27	2.10	GKF87	6P	204	33	6.80	2.9	4.20		
6.2	1102	147.32	27	2.30	GKA87		218	31	6.37	2.8	4.40		
7.2	949	126.91	27	2.70	GKAF87		259	26	5.36	2.7	5.00		
7.0	966	197.37	27	2.60	GK87		1.1kW						
8.0	853	174.19	27	3.00	GKF87	4P	0.17	56695	8372	154	0.80		
8.5	804	164.34	27	3.20	GKA87		0.19	49205	7266	167	0.95		
9.4	721	147.32	27	3.50	GKAF87		0.21	44458	6565	171	1.05		
6.7	1013	135.51	17	1.45			0.23	40855	6033	171	1.15	GK187R97	
7.1	963	128.73	17	1.50	GK77		0.26	36284	5358	171	1.30	GKA187R97	4P
8.0	851	113.75	18	1.70	GKF77	6P	0.29	32438	4790	171	1.45		
9.4	727	97.21	18	2.00	GKA77		0.33	29167	4307	171	1.60		
10	666	89.12	18	2.20	GKAF77		0.36	26140	3860	171	1.75		
9.0	755	154.28	18	1.95			0.27	35661	5266	135	0.90		
10	663	135.51	18	2.20	GK77		0.30	31882	4708	135	1.05	GK167R97	
11	630	128.73	18	2.30	GKF77	4P	0.35	27447	4053	135	1.20	GKA167R97	4P
12	557	113.75	19	2.60	GKA77		0.42	22483	3320	135	1.45		
14	476	97.21	19	3.10	GKAF77		0.52	18345	2709	135	1.80		
					GK67		0.65	14682	2168	135	2.20		
11	605	123.54	11	1.30	GKF67	4P	0.83	11465	1693	135	2.80	GK167R97	4P
13	529	108.02	11	1.45	GKA67		1.01	9372	1384	135	3.40	GKA167R97	
15	441	90.04	12	1.75	GKAF67		1.10	8627	1274	135	3.70		
18	374	76.37	12	2.10	GK67		0.39	24230	3578	104	0.75	GK157R97	
20	338	68.95	12	2.30	GKF67	4P	0.45	21061	3110	106	0.85	GKF157R97	4P
23	297	60.66	12	2.60	GKA67		0.53	17776	2625	107	1.00	GKA157R97	
24	280	57.28	12	2.80	GKAF67		0.60	15887	2346	108	1.15	GKAF157R97	
11	606	123.85	6.8	0.95			0.84	11296	1668	109	1.60		
13	530	108.29	7.5	1.05			1.0	9298	1373	110	1.95	GK157R97	
14	504	102.88	7.8	1.10			1.1	8370	1236	110	2.15	GKF157R97	4P
15	442	90.26	8.1	1.30	GK57		1.3	7483	1105	110	2.40	GKA157R97	
18	375	76.56	8.4	1.50	GKF57	4P	1.5	6501	960	110	2.75	GKAF157R97	
20	338	69.12	8.6	1.65	GKA57		1.6	5892	870	110	3.05		
23	298	60.81	8.8	1.90	GKAF57		0.73	12928	1909	75	1.00	GK127R77	
24	281	57.42	8.8	2.00			0.80	11790	1741	76	1.10	GKF127R77	4P
28	239	48.89	9.0	2.40			0.92	10341	1527	76	1.25	GKA127R77	
31	217	44.43	9.1	2.60			1.0	9041	1335	77	1.45	GKAF127R77	

选型参数表
(恒功率)
Selection Table
(Constant Power)

n_a [r/min]	Ma [Nm]	i	F_{ra} [kN]	f_B	机型号 Type size	极数 Pole	n_a [r/min]	Ma [Nm]	i	F_{ra} [kN]	f_B	机型号 Type size	极数 Pole
1.1kW							1.1kW						
1.2	7930	1171	77	1.65			10	966	135.51	17	1.55	GK77	
1.4	6772	1000	78	1.90			11	918	128.73	17	1.60	GKF77	4P
1.6	5939	877	78	2.20	GK127R77		12	811	113.75	18	1.80	GKA77	
1.8	5302	783	78	2.45	GKF127R77	4P	14	693	97.21	18	2.10	GKAF77	
2.0	4727	698	78	2.75	GKA127R77		16	635	89.12	18	2.30	GK77	
2.3	4097	605	78	3.20	GKAF127R77		18	557	78.20	19	2.70	GKF77	
2.6	3711	548	78	3.50				19	528	74.11	19	2.80	GKA77
3.0	3203	473	78	4.05									GKAF77
1.2	7896	1166	62	1.00			13	770	108.02	10	1.00		
1.4	6975	1030	62	1.15			14	732	102.62	10	1.05	GK67	4P
1.5	6122	904	62	1.30			16	642	90.04	11	1.20	GKF67	
1.8	5370	793	62	1.50	GK107R77		18	544	76.37	11	1.45	GKA67	
2.0	4713	696	62	1.70	GKF107R77	4P	20	492	68.95	12	1.60	GKAF67	
2.3	4158	614	62	1.90	GKA107R77		23	432	60.66	12	1.80		
2.7	3535	522	62	2.25	GKAF107R77		24	408	57.28	12	1.90	GK67	
3.0	3122	461	62	2.55				29	348	48.77	12	2.20	GKF67
3.4	2763	408	62	2.90				32	316	44.32	12	2.50	GKA67
3.8	2465	364	62	3.25			36	274	38.39	12	2.80	GKAF67	
4.4	2153	318	62	3.70			16	643	90.26	2.3	0.90		
1.9	5032	743	38	0.85			18	546	76.56	7.4	1.05		
2.2	4409	651	38	0.95	GK97R57		20	493	69.12	7.9	1.15		
2.4	3880	573	38	1.10	GKF97R57	4P	23	433	60.81	8.2	1.30	GK57	
2.8	3413	504	38	1.25	GKA97R57		24	409	57.42	8.3	1.40	GKF57	
3.2	2959	437	38	1.45	GKAF97R57		29	349	48.89	8.6	1.65	GKA57	
3.7	2587	382	38	1.65				32	317	44.43	8.7	1.80	GKAF57
4.1	2316	342	38	1.85				36	274	38.49	8.9	2.10	
3.0	3210	474	25	0.85			39	254	35.70	8.9	2.20		
3.3	2885	426	26	0.95			46	216	30.28	9.1	2.60		
3.8	2526	373	26	1.05	GK87R57		51	195	27.34	9.0	2.90		
4.2	2235	330	26	1.20	GKF87R57	4P	58	171	24.05	8.8	3.30		
4.8	1991	294	27	1.35	GKA87R57		62	162	22.71	8.6	3.50		
5.6	1693	250	27	1.60	GKAF87R57		72	138	19.34	8.3	4.00		
5.9	1598	236	27	1.70				80	125	17.57	8.1	4.20	
7.0	1361	201	27	2.00				92	108	15.22	7.8	4.70	GK57
3.9	2546	176.05	38	1.60	GK97		106	94	13.25	7.5	5.10	GKF57	
4.5	2216	153.21	38	1.80	GKF97	8P	117	85	11.92	7.2	4.60	GKA57	
4.9	2029	140.28	38	2.00	GKA97		124	80	11.26	7.1	4.90	GKAF57	
5.6	1792	123.93	38	2.20	GKAF97		146	68	9.59	6.8	5.60		
5.2	1931	176.05	38	2.10	GK97		161	62	8.71	6.6	6.00		
5.9	1680	153.21	38	2.50	GKF97	6P	185	54	7.55	6.3	6.40		
6.5	1538	140.28	38	2.70	GKA97		213	47	6.57	6.1	7.00		
7.3	1359	123.93	38	3.00	GKAF97								
					GK97		25	405	56.83	3.1	0.95	GK47	
8.0	1255	176.05	38	3.30	GKF97	4P	29	349	48.95	6.0	1.10	GK47	
9.1	1092	153.21	38	3.70	GKA97		30	328	46.04	6.3	1.15	GKAF47	
10	1000	140.28	38	4.10	GKAF97		35	282	39.61	6.7	1.35		
5.2	1910	174.19	27	1.35	GK87		40	252	35.39	6.7	1.50	GK47	
5.5	1802	164.34	27	1.45	GKF87	6P	45	223	31.30	6.6	1.70	GK47	
6.2	1616	147.32	27	1.60	GKA87		48	209	29.32	6.5	1.80	GKA47	
7.2	1392	126.91	27	1.85	GKAF87		54	185	25.91	6.4	2.10	GKAF47	
8.0	1242	174.19	27	2.10			64	155	21.81	6.2	2.40		
8.5	1171	164.34	27	2.20	GK87	4P	72	140	19.58	6.0	2.70		
9.5	1050	147.32	27	2.40	GKF87		47	214	29.96	3.2	0.90		
11	905	126.91	27	2.80	GKA87		56	178	24.99	3.3	1.05	GK37	
12	826	115.82	27	3.10	GKAF87		60	167	23.36	3.3	1.10	GKF37	
6.7	1486	135.51	15	1.00	GK77			69	144	20.19	3.2	1.20	GKA37
7.1	1412	128.73	15	1.05	GKF77	6P	82	122	17.15	3.2	1.40	GKAF37	
8.0	1247	113.75	16	1.20	GKA77		91	109	15.32	3.2	1.50		
9.4	1066	97.21	17	1.40	GKAF77		107	93	13.08	3.1	1.70		

选型参数表
(恒功率)
Selection Table
(Constant Power)

n_a [r/min]	Ma [Nm]	i	F_{ra} [kN]	f_B	机型号 Type size	极数 Pole	n_a [r/min]	Ma [Nm]	i	F_{ra} [kN]	f_B	机型号 Type size	极数 Pole
1.1kW							1.5kW						
115	87	12.14	3.1	1.75			2.4	5291	573	38	0.80		
133	75	10.49	3.0	2.00	GK37		2.8	4654	504	38	0.90		
157	64	8.91	2.9	2.40	GKF37		3.2	4035	437	38	1.05		
176	57	7.96	2.8	2.60	GKA37	4P	3.7	3528	382	38	1.20	GK97R57	
206	48	6.80	2.7	2.90	GKAF37		4.1	3158	342	38	1.35	GKF97R57	4P
220	45	6.37	2.7	3.00			4.6	2817	305	38	1.55	GKA97R57	
261	38	5.36	2.6	3.50			5.4	2383	258	38	1.80	GKAF97R57	
1.5kW							1.5kW						
0.23	55712	6033	154	0.80			6.0	2142	232	38	2.00		
0.26	49478	5358	165	0.95	GK187R97		7.0	1838	199	38	2.35		
0.29	44233	4790	171	1.05	GKA187R97	4P	4.2	3047	330	25	0.90		
0.33	39773	4307	171	1.15			4.8	2715	294	26	1.00	GK87R57	
0.36	35645	3860	171	1.30			5.6	2309	250	26	1.15	GKF87R57	4P
0.43	29800	3227	171	1.50			5.9	2179	236	27	1.25	GKA87R57	
0.51	25275	2737	171	1.80	GK187R97	4P	7.0	1856	201	27	1.45	GKAF87R57	
0.62	20796	2252	171	2.20	GKA187R97		7.7	1690	183	27	1.60		
0.69	18728	2028	171	2.50			4.7	2871	143.47	62	2.70	GK107	
0.35	37427	4053	135	0.85	GK167R97		5.6	2431	121.46	62	3.20	GKF107	8P
0.42	30659	3320	135	1.05	GKA167R97	4P	6.0	2250	112.41	62	3.50	GKA107	
0.52	25016	2709	135	1.30								GKAF107	
0.65	20020	2168	135	1.60			4.4	3066	153.21	38	1.35	GK97	
0.83	15634	1693	135	2.10	GK167R97	4P	4.8	2807	140.28	38	1.50	GKF97	8P
1.01	12781	1384	135	2.50	GKA167R97		5.5	2480	123.93	38	1.70	GKA97	
1.10	11765	1274	135	2.70								GKAF97	
0.60	21664	2346	105	0.80	GK157R97		5.3	2549	176.05	38	1.55	GK97	
					GKF157R97	4P	6.1	2218	153.21	38	1.80	GKF97	6P
					GKA157R97		6.7	2031	140.28	38	1.95	GKA97	
					GKAF157R97		7.6	1794	123.93	38	2.20	GKAF97	
0.84	15403	1668	108	1.10			8.0	1711	176.05	38	2.40	GK97	
1.0	12679	1373	109	1.35			9.1	1489	153.21	38	2.80	GKF97	4P
1.1	11414	1236	109	1.50	GK157R97		10	1364	140.28	38	3.00	GKA97	
1.3	10204	1105	110	1.70	GKF157R97	4P	11	1205	123.93	38	3.40	GKAF97	
1.5	8865	960	110	1.95	GKA157R97		6.4	2133	147.32	26	1.20	GK87	
1.6	8034	870	110	2.15	GKAF157R97		7.4	1837	126.91	27	1.35	GKF87	6P
2.5	5264	570	110	3.25			8.1	1677	115.82	27	1.50	GKA87	
2.7	4710	510	111	3.65			9.2	1487	102.71	27	1.70	GKAF87	
2.6	4996	541	78	2.50	GK127R87		8.0	1693	174.19	27	1.55		
3.3	3906	423	78	3.15	GKF127R87	4P	8.5	1597	164.34	27	1.60	GK87	
3.8	3408	369	78	3.65	GKA127R87		9.5	1432	147.32	27	1.80	GKF87	4P
					GKAF127R87		11	1234	126.91	27	2.10	GKA87	
0.80	16077	1741	70	0.80			12	1126	115.82	27	2.30	GKAF87	
0.92	14101	1527	74	0.90			14	998	102.71	27	2.60		
1.0	12328	1335	76	1.05			16	839	86.34	27	3.10		
1.2	10814	1171	76	1.20			8.3	1647	113.75	13	0.90	GK77	
1.4	9235	1000	77	1.40	GK127R77		9.7	1407	97.21	15	1.05	GKF77	6P
1.6	8099	877	77	1.60	GKF127R77	4P	11	1290	89.12	16	1.10	GKA77	
1.8	7231	783	78	1.80	GKA127R77		12	1132	78.20	17	1.30	GKAF77	
2.0	6446	698	78	2.00	GKAF127R77		10	1317	135.51	16	1.15		
2.3	5587	605	78	2.35			11	1251	128.73	16	1.20	GK77	
2.6	5061	548	78	2.55			12	1106	113.75	17	1.35	GKF77	4P
3.0	4368	473	78	3.00			14	945	97.21	17	1.55	GKA77	
3.4	3786	410	78	3.45			16	866	89.12	18	1.70	GKAF77	
1.4	9512	1030	62	0.85			18	760	78.20	18	1.95		
1.5	8348	904	62	0.95			19	720	74.11	18	2.10		
1.8	7323	793	62	1.10			22	630	64.86	18	2.40	GK77	4P
2.0	6427	696	62	1.25	GK107R77		24	568	58.44	19	2.60	GKF77	
2.3	5670	614	62	1.40	GKF107R77	4P	27	498	51.26	19	3.00	GKA77	
2.7	4820	522	62	1.65	GKA107R77		31	440	45.24	19	3.40	GKAF77	
3.0	4257	461	62	1.90	GKAF107R77		35	390	40.10	19	3.80		
3.4	3768	408	62	2.10									
3.8	3361	364	62	2.40									
4.4	2937	318	62	2.70									

选型参数表
(恒功率)
Selection Table
(Constant Power)

n_a [r/min]	Ma [Nm]	i	F_{ra} [kN]	f_B	机型号 Type size	极数 Pole	n_a [r/min]	Ma [Nm]	i	F_{ra} [kN]	f_B	机型号 Type size	极数 Pole
1.5kW							2.2kW						
16	875	90.04	8.9	0.90			0.66	28747	2168	135	1.10		
18	742	76.37	10	1.05	GK67		0.84	22449	1693	135	1.40		
20	670	68.95	11	1.15	GKF67	4P	1.03	18352	1384	135	1.70	GK167R97	4P
23	590	60.66	11	1.35	GKA67		1.12	16893	1274	135	1.85	GKA167R97	
24	557	57.28	11	1.40	GKAF67		1.31	14506	1094	135	2.20		
29	474	48.77	12	1.65			1.54	12318	929	135	2.50		
32	431	44.32	12	1.80			0.86	22117	1668	104	0.80		
36	373	38.39	12	2.00	GK67	4P	1.0	18206	1373	106	1.00	GK157R97	4P
39	346	35.61	12	2.30	GKF67		1.2	16389	1236	107	1.10	GKF157R97	
46	294	30.21	12	2.70	GKA67		1.3	14652	1105	108	1.20	GKA157R97	
51	265	27.27	12	3.00	GKAF67		1.5	12729	960	109	1.40	GKAF157R97	
58	233	23.99	12	3.30			1.6	11536	870	109	1.55		
23	591	60.81	7.1	0.95	GK57	4P	1.9	10077	760	110	1.80		
24	558	57.42	7.4	1.05	GKF57		2.6	7174	541	78	1.80		
29	475	48.89	8.0	1.20	GKA57		3.0	6325	477	78	2.05	GK127R87	4P
32	432	44.43	8.2	1.35	GKAF57		3.4	5609	423	78	2.30	GKF127R87	
36	374	38.49	8.5	1.55			3.9	4893	369	78	2.65	GKA127R87	
39	347	35.70	8.6	1.65	GK57	4.3	4416	333	78	2.95	GKAF127R87		
46	294	30.28	8.7	1.95	GKF57	1.4	13260	1000	74	0.95			
51	266	27.34	8.6	2.20	GKA57	4P	1.6	11629	877	76	1.10		
58	234	24.05	8.3	2.50	GKAF57		1.8	10382	783	76	1.25	GK127R77	4P
62	221	22.71	8.2	2.60			2.0	9255	698	77	1.40	GKF127R77	
72	188	19.34	7.9	2.90			2.4	8022	605	77	1.60	GKA127R77	
					GK47		2.6	7266	548	78	1.80	GKAF127R77	
35	385	39.61	5.6	1.00	GKF47	4P	3.0	6272	473	78	2.05		
40	344	35.39	6.0	1.10	GKA47		3.5	5437	410	78	2.35		
45	304	31.30	6.0	1.25	GKAF47		2.3	8142	614	62	1.00		
48	285	29.32	6.0	1.35			2.7	6922	522	62	1.15		
54	252	25.91	5.9	1.50			3.1	6113	461	62	1.30	GK107R77	4P
64	212	21.81	5.7	1.80	GK47	3.5	5410	408	62	1.45	GKF107R77		
72	190	19.58	5.7	2.00	GKF47	3.9	4827	364	62	1.65	GKA107R77		
83	164	16.86	5.5	2.20	GKA47	4.5	4217	318	62	1.90	GKAF107R77		
88	154	15.86	5.4	2.40	GKAF47	5.0	3792	286	62	2.10			
103	133	13.65	5.3	2.60		5.7	3328	251	62	2.40			
115	118	12.19	5.2	2.80		3.7	5065	382	38	0.85			
119	114	11.77	5.1	2.30		4.2	4535	342	38	0.95	GK97R57	4P	
60	227	23.36	2.7	0.80		4.7	4044	305	38	1.05	GKF97R57		
69	196	20.19	2.8	0.90		5.5	3421	258	38	1.25	GKA97R57		
82	167	17.15	2.8	1.05		6.2	3076	232	38	1.40	GKAF97R57		
91	149	15.31	2.8	1.10	GK37	7.2	2639	199	38	1.60			
107	127	13.08	2.8	1.25	GKF37	4P	4.9	4033	143.47	62	1.85	GK107	8P
115	118	12.14	2.8	1.30	GKA37		5.8	3414	121.46	62	2.20	GKF107	
133	102	10.49	2.7	1.50	GKAF37		6.3	3160	112.41	62	2.40	GKA107	
157	87	8.91	2.7	1.75			7.0	2832	100.75	62	2.70	GKAF107	
176	77	7.96	2.6	1.90			6.1	3253	153.21	38	1.25	GK97	
206	66	6.80	2.6	2.20		6.7	2979	140.28	38	1.35	GKF97		
220	62	6.37	2.5	2.20		7.6	2631	123.93	38	1.55	GKA97		
261	52	5.36	2.5	2.60		8.9	2232	105.13	38	1.85	GKAF97		
						8.1	2457	176.05	38	1.65	GK97	4P	
0.37	51183	3860	158	0.85	GK187R97	4P	9.3	2138	153.21	38	1.90		GKF97
0.57	32990	2488	171	1.35	GKA187R97		10	1958	140.28	38	2.10		GKA97
0.44	42789	3227	171	1.00			12	1730	123.93	38	2.30		GKAF97
0.52	36292	2737	171	1.20			14	1467	105.13	38	2.80		GK97
0.63	29861	2252	171	1.50	GK187R97		15	1351	96.80	38	3.00	GKF97	
0.71	26891	2028	171	1.65	GKA187R97						GKA97		
0.78	24345	1836	171	1.80							GKAF97		
0.88	21587	1628	171	2.10							GK87		
1.08	17583	1326	171	2.30		9.7	2056	147.32	27	1.25	GKF87	4P	
0.53	35921	2709	135	0.85	GK167R97	4P	11	1771	126.91	27	1.45		GKA87
0.64	29821	2249	135	1.05	GKA167R97		12	1617	115.82	27	1.55		GKAF87

选型参数表
(恒功率)

Selection Table
(Constant Power)

n_a [r/min]	Ma [Nm]	i	F_{ra} [kN]	f_B	机型号 Type size	极数 Pole	n_a [r/min]	Ma [Nm]	i	F_{ra} [kN]	f_B	机型号 Type size	极数 Pole
2.2kW							2.2kW						
14	1434	102.71	27	1.75			85	235	16.86	4.9	1.50		
17	1205	86.34	27	2.10	GK87		90	221	15.86	4.9	1.60	GK47	
18	1107	79.34	27	2.30	GKF87	4P	105	191	13.65	4.8	1.75	GKF47	4P
20	983	70.46	27	2.60	GKA87		117	170	12.19	4.7	1.95	GKA47	
23	879	63.00	27	2.90	GKAF87		121	164	11.77	4.6	1.60	GKAF47	
25	791	56.64	27	3.20			135	148	10.57	4.6	1.80		
13	1588	113.75	14	0.90			157	127	9.10	4.5	2.10		
15	1357	97.21	15	1.05	GK77	4P	109	183	13.08	2.3	0.85		
16	1244	89.12	16	1.15	GKF77		136	146	10.49	2.3	1.00	GK37	4P
18	1091	78.20	17	1.35	GKA77		160	124	8.91	2.3	1.20	GKF37	
19	1034	74.11	17	1.40	GKAF77		180	111	7.96	2.3	1.30	GKA37	
22	905	64.86	17	1.60		210	95	6.80	2.3	1.50	GKAF37		
24	816	58.44	18	1.80			224	89	6.37	2.3	1.55		
28	715	51.26	18	2.00			267	75	5.36	2.2	1.75		
32	631	45.24	18	2.30	GK77	4P	3.0kW						
36	560	40.10	19	2.60	GKF77		0.52	49489	2737	160	0.90		
41	492	35.25	19	3.00	GKA77		0.57	44987	2488	170	0.95		
46	432	30.93	19	3.40	GKAF77		0.63	40720	2252	171	1.05		
49	409	29.31	19	3.60			0.71	36669	2028	171	1.20	GK187R97	4P
56	358	25.66	19	4.10		0.78	33198	1836	171	1.30	GKA187R97		
24	847	60.66	9.0	0.90		0.88	29437	1628	171	1.50			
25	799	57.28	10	0.95	GK67	1.1	23976	1326	171	1.70			
29	681	48.77	11	1.15	GKF67	4P	1.1	22548	1247	171	1.95		
32	619	44.32	11	1.25	GKA67		1.3	19402	1073	171	2.30		
37	536	38.39	11	1.40	GKAF67		0.84	30612	1693	135	1.00		
40	497	35.61	12	1.55			1.0	25025	1384	135	1.20		
47	422	30.21	12	1.80			1.1	23036	1274	135	1.35	GK167R97	4P
52	381	27.27	12	2.00		1.3	19781	1094	135	1.55	GKA167R97		
60	335	23.99	12	2.20		1.5	16798	929	135	1.85			
63	316	22.66	12	2.30		1.7	15152	838	135	2.10			
74	269	19.29	12	2.60			1.9	13453	744	135	2.30		
82	245	17.53	12	2.80	GK67	4P	1.2	22349	1236	104	0.80		
94	212	15.19	12	3.10	GKF67		1.3	19980	1105	105	0.90	GK157R97	4P
108	185	13.22	12	3.40	GKA67		1.5	17358	960	107	1.05	GKF157R97	
115	174	12.48	12	2.80	GKAF67		1.6	15731	870	108	1.15	GKA157R97	
135	148	10.63	12	3.20		1.9	13742	760	108	1.30	GKAF157R97		
148	135	9.66	12	3.30			2.5	10306	570	109	1.75		
171	117	8.37	12	3.50			2.8	9222	510	110	1.95		
196	102	7.28	12	3.90			2.6	9782	541	77	1.30		
32	620	44.43	4.8	0.90	GK57	4P	3.0	8625	477	77	1.50	GK127R87	4P
37	537	38.49	7.5	1.05	GKF57		3.4	7648	423	77	1.70	GKF127R87	
40	498	35.70	7.8	1.15	GKA57		3.9	6672	369	78	1.95	GKA127R87	
47	423	30.28	7.8	1.35	GKAF57		4.3	6021	333	78	2.15	GKAF127R87	
52	382	27.34	7.8	1.45			4.9	5226	289	78	2.45		
59	336	24.05	7.6	1.65			1.8	14158	783	73	0.90		
63	317	22.71	7.6	1.75			2.0	12621	698	75	1.00	GK127R77	4P
74	270	19.34	7.4	2.00	GK57	2.4	10939	605	76	1.20	GKF127R77		
81	245	17.57	7.2	2.10	GKF57	2.6	9909	548	77	1.30	GKA127R77		
94	212	15.22	7.1	2.40	GKA57	3.0	8625	477	77	1.50	GKAF127R77		
108	185	13.25	6.9	2.60	GKAF57		3.5	7413	410	77	1.75		
120	166	11.92	6.5	2.30			3.1	8336	461	62	0.95		
127	157	11.26	6.5	2.50			3.5	7377	408	62	1.05	GK107R77	4P
149	134	9.59	6.5	2.90		3.9	6582	364	62	1.20	GKF107R77		
164	122	8.71	6.5	3.20		4.5	5750	318	62	1.40	GKA107R77		
					GK47	4P	5.0	5171	286	62	1.55	GKAF107R77	
55	362	25.91	5.0	1.05	GKF47		5.7	4538	251	62	1.75		
66	304	21.81	5.0	1.25	GKA47		6.4	4014	222	62	2.00		
73	273	19.58	5.0	1.35	GKAF47								

选型参数表
(恒功率)

Selection Table
(Constant Power)

n_a [r/min]	Ma [Nm]	i	F_{ra} [kN]	f_B	机型号 Type size	极数 Pole	n_a [r/min]	Ma [Nm]	i	F_{ra} [kN]	f_B	机型号 Type size	极数 Pole																																																																																																																																																																																																																																																																																																																																																																																																																																																																																																																																																																																																																																																																																																																																																																																																																																																																																																																																																																																																																																																																																																																																																																																																																																																																																																																																																																																																																																																																																																																																																																																																																																																																																																																																																																																																																																																																																																																																																																																																											
4.0kW							4.0kW																																																																																																																																																																																																																																																																																																																																																																																																																																																																																																																																																																																																																																																																																																																																																																																																																																																																																																																																																																																																																																																																																																																																																																																																																																																																																																																																																																																																																																																																																																																																																																																																																																																																																																																																																																																																																																																																																																																																																																																																																	
1.7	1991	835	171	2.50	GK187R107	4P	6.4	5666	112.41	62	1.35	GK107	8P																																																																																																																																																																																																																																																																																																																																																																																																																																																																																																																																																																																																																																																																																																																																																																																																																																																																																																																																																																																																																																																																																																																																																																																																																																																																																																																																																																																																																																																																																																																																																																																																																																																																																																																																																																																																																																																																																																																																																																																																											
3.2	10774	450	171	4.00	GKA187R107		0.64	53916	2252	152	0.80				0.71	48553	2028	162	0.90			0.78	43956	1836	170	1.00			0.88	38976	1628	171	1.10	GK187R97	4P	7.1	5078	100.75	62	1.50	GKF107	1.1	31746	1326	171	1.25	GKA187R97	1.2	29855	1247	171	1.45			1.3	25689	1073	171	1.70			1.5	22385	935	171	1.95			1.7	20254	846	171	2.20			1.0	33135	1384	135	0.90			1.1	30501	1274	135	1.00			1.3	26192	1094	135	1.20	GK167R97	4P	7.9	4585	90.96	62	1.65	GKA107	1.6	22241	929	135	1.40	GKA167R97	1.7	20063	838	135	1.55			1.9	17812	744	135	1.75			2.3	15035	628	135	2.10			1.7	20829	870	105	0.85			1.9	18195	760	106	1.00	GK157R97	4P	8.5	4249	112.41	62	1.80	GKF107	2.5	13647	570	108	1.30	GKF157R97	2.8	12210	510	109	1.45	GKA157R97	4P	9.5	3809	100.75	62	2.00	GKA107	3.3	10462	437	109	1.70	GKAF157R97	2.7	12952	541	75	1.00			3.0	11420	477	76	1.15	GK127R87		3.4	10127	423	77	1.30	GKF127R87		3.9	8834	369	77	1.45	GKA127R87	4P	11	3438	90.96	62	2.20	GKAF107	4.3	7972	333	77	1.65	GKAF127R87	5.0	6919	289	78	1.90			5.7	6081	254	78	2.15			2.4	14484	605	72	0.90	GK127R77		2.6	13120	548	75	1.00	GKF127R77	4P	10	3616	143.47	62	2.10		3.0	11324	473	76	1.15	GKA127R77	3.5	9816	410	76	1.30	GKAF127R77		4.0	8715	364	62	0.90			4.5	7613	318	62	1.05			5.0	6847	286	62	1.15	GK107R77		5.7	6009	251	62	1.35	GKF107R77	4P	12	3061	121.46	62	2.50	GK107	6.5	5315	222	62	1.50	GKA107R77	7.3	4692	196	62	1.70	GKAF107R77		8.3	4166	174	62	1.90			9.4	3687	154	62	2.15			10	3352	140	62	2.40								GK97R57	4P	13	2833	112.41	62	2.70	GKF107						GKF97R57						GKA97R57	4P	14	2539	100.75	62	3.00	GKA107						GKAF97R57						GK127							GKF127							GKA127	8P	16	2292	90.96	62	3.30	GKAF107						GKAF127						GK127							GKF127							GKA127							GKAF127							GK127	6P	17	2082	82.61	62	3.60							GKF127						GKA127							GKAF127							GK127							GKF127							GKA127							GKAF127							GK127							GKF127							GKA127							GKAF127							GK127							GKF127							GKA127							GKAF127							GK127							GKF127							GKA127							GKAF127							GK127							GKF127							GKA127							GKAF127							GK127							GKF127							GKA127							GKAF127							GK127							GKF127							GKA127							GKAF127							GK127							GKF127							GKA127							GKAF127							GK127							GKF127							GKA127							GKAF127							GK127							GKF127							GKA127							GKAF127							GK127							GKF127							GKA127							GKAF127							GK127							GKF127							GKA127							GKAF127							GK127							GKF127							GKA127							GKAF127							GK127							GKF127							GKA127							GKAF127							GK127							GKF127							GKA127							GKAF127							GK127							GKF127							GKA127							GKAF127							GK127							GKF127							GKA127							GKAF127							GK127							GKF127							GKA127							GKAF127							GK127							GKF127							GKA127							GKAF127							GK127							GKF127							GKA127							GKAF127							GK127							GKF127							GKA127							GKAF127							GK127							GKF127							GKA127							GKAF127							GK127							GKF127							GKA127							GKAF127							GK127							GKF127							GKA127							GKAF127							GK127							GKF127							GKA127							GKAF127							GK127							GKF127							GKA127							GKAF127							GK127							GKF127							GKA127							GKAF127							GK127							GKF127							GKA127							GKAF127							GK127							GKF127							GKA127							GKAF127							GK127							GKF127							GKA127							GKAF127							GK127							GKF127							GKA127							GKAF127							GK127							GKF127							GKA127							GKAF127							GK127							GKF127							GKA127							GKAF127							GK127							GKF127							GKA127							GKAF127							GK127							GKF127							GKA127							GKAF127							GK127							GKF127							GKA127							GKAF127							GK127							GKF127							GKA127							GKAF127							GK127							GKF127							GKA127							GKAF127							GK127							GKF127							GKA127							GKAF127							GK127							GKF127							GKA127							GKAF127							GK127							GKF127							GKA127							GKAF127							GK127							GKF127							GKA127							GKAF127							GK127							GKF127							GKA127							GKAF127							GK127							GKF127							GKA127							GKAF127							GK127							GKF127							GKA127							GKAF127							GK127							GKF127							GKA127							GKAF127							GK127							GKF127							GKA127							GKAF127							GK127							GKF127							GKA127							GKAF127							GK127							GKF127							GKA127							GKAF127							GK127							GKF127							GKA127							GKAF127							GK127							GKF127							GKA127							GKAF127							GK127							GKF127							GKA127							GKAF127							GK127							GKF127														
0.64	53916	2252	152	0.80			0.71	48553	2028	162	0.90				0.78	43956	1836	170	1.00			0.88	38976	1628	171	1.10	GK187R97	4P	7.1	5078	100.75	62	1.50	GKF107		1.1	31746	1326	171	1.25	GKA187R97	1.2	29855	1247	171	1.45			1.3	25689	1073	171	1.70			1.5	22385	935	171	1.95			1.7	20254	846	171	2.20			1.0	33135	1384	135	0.90			1.1	30501	1274	135	1.00			1.3	26192	1094	135	1.20	GK167R97	4P	7.9	4585	90.96	62	1.65		GKA107	1.6	22241	929	135	1.40	GKA167R97	1.7	20063	838	135	1.55			1.9	17812	744	135	1.75			2.3	15035	628	135	2.10			1.7	20829	870	105	0.85			1.9	18195	760	106	1.00	GK157R97	4P	8.5	4249	112.41	62		1.80	GKF107	2.5	13647	570	108	1.30	GKF157R97	2.8	12210	510	109	1.45	GKA157R97	4P	9.5	3809	100.75		62	2.00	GKA107	3.3	10462	437	109	1.70	GKAF157R97	2.7	12952	541	75	1.00			3.0	11420	477	76	1.15	GK127R87		3.4	10127	423	77	1.30	GKF127R87		3.9	8834	369	77	1.45	GKA127R87	4P	11	3438		90.96	62	2.20	GKAF107	4.3	7972	333	77	1.65	GKAF127R87	5.0	6919	289	78	1.90			5.7	6081	254	78	2.15			2.4	14484	605	72	0.90	GK127R77		2.6	13120	548	75	1.00	GKF127R77	4P	10		3616	143.47	62	2.10		3.0	11324	473	76	1.15	GKA127R77	3.5	9816	410	76	1.30	GKAF127R77		4.0	8715	364	62	0.90			4.5	7613	318	62	1.05			5.0	6847	286	62	1.15	GK107R77		5.7	6009	251	62	1.35	GKF107R77	4P		12	3061	121.46	62	2.50	GK107	6.5	5315	222	62	1.50	GKA107R77	7.3	4692	196	62	1.70	GKAF107R77		8.3	4166	174	62	1.90			9.4	3687	154	62	2.15			10	3352	140	62	2.40								GK97R57		4P	13	2833	112.41	62	2.70	GKF107						GKF97R57							GKA97R57	4P	14	2539	100.75	62	3.00	GKA107						GKAF97R57						GK127							GKF127								GKA127	8P	16	2292	90.96	62	3.30	GKAF107						GKAF127						GK127							GKF127							GKA127							GKAF127								GK127	6P	17	2082	82.61	62	3.60							GKF127						GKA127							GKAF127							GK127							GKF127							GKA127							GKAF127							GK127							GKF127							GKA127							GKAF127							GK127							GKF127							GKA127							GKAF127							GK127							GKF127							GKA127							GKAF127							GK127							GKF127							GKA127							GKAF127							GK127							GKF127							GKA127							GKAF127							GK127							GKF127							GKA127							GKAF127							GK127							GKF127							GKA127							GKAF127							GK127							GKF127							GKA127							GKAF127							GK127							GKF127							GKA127							GKAF127							GK127							GKF127							GKA127							GKAF127							GK127							GKF127							GKA127							GKAF127							GK127							GKF127							GKA127							GKAF127							GK127							GKF127							GKA127							GKAF127							GK127							GKF127							GKA127							GKAF127							GK127							GKF127							GKA127							GKAF127							GK127							GKF127							GKA127							GKAF127							GK127							GKF127							GKA127							GKAF127							GK127							GKF127							GKA127							GKAF127							GK127							GKF127							GKA127							GKAF127							GK127							GKF127							GKA127							GKAF127							GK127							GKF127							GKA127							GKAF127							GK127							GKF127							GKA127							GKAF127							GK127							GKF127							GKA127							GKAF127							GK127							GKF127							GKA127							GKAF127							GK127							GKF127							GKA127							GKAF127							GK127							GKF127							GKA127							GKAF127							GK127							GKF127							GKA127							GKAF127							GK127							GKF127							GKA127							GKAF127							GK127							GKF127							GKA127							GKAF127							GK127							GKF127							GKA127							GKAF127							GK127							GKF127							GKA127							GKAF127							GK127							GKF127							GKA127							GKAF127							GK127							GKF127							GKA127							GKAF127							GK127							GKF127							GKA127							GKAF127							GK127							GKF127							GKA127							GKAF127							GK127							GKF127							GKA127							GKAF127							GK127							GKF127							GKA127							GKAF127							GK127							GKF127							GKA127							GKAF127							GK127							GKF127							GKA127							GKAF127							GK127							GKF127							GKA127							GKAF127							GK127							GKF127							GKA127							GKAF127							GK127							GKF127							GKA127							GKAF127							GK127							GKF127							GKA127							GKAF127							GK127							GKF127							GKA127							GKAF127							GK127							GKF127							GKA127							GKAF127							GK127							GKF127							GKA127							GKAF127							GK127							GKF127							GKA127							GKAF127							GK127							GKF127							GKA127							GKAF127							GK127							GKF127							GKA127							GKAF127							GK127							GKF127							GKA127							GKAF127							GK127							GKF127							GKA127							GKAF127							GK127							GKF127										
0.71	48553	2028	162	0.90			0.78	43956	1836	170	1.00				0.88	38976	1628	171	1.10	GK187R97	4P	7.1	5078	100.75	62	1.50	GKF107		1.1	31746	1326	171	1.25	GKA187R97		1.2	29855	1247	171	1.45			1.3	25689	1073	171	1.70			1.5	22385	935	171	1.95			1.7	20254	846	171	2.20			1.0	33135	1384	135	0.90			1.1	30501	1274	135	1.00			1.3	26192	1094	135	1.20	GK167R97	4P	7.9	4585	90.96	62	1.65		GKA107	1.6	22241	929	135		1.40	GKA167R97	1.7	20063	838	135	1.55			1.9	17812	744	135	1.75			2.3	15035	628	135	2.10			1.7	20829	870	105	0.85			1.9	18195	760	106	1.00	GK157R97	4P	8.5	4249	112.41	62		1.80	GKF107	2.5	13647		570	108	1.30	GKF157R97	2.8	12210	510	109	1.45	GKA157R97	4P	9.5	3809	100.75		62	2.00	GKA107		3.3	10462	437	109	1.70	GKAF157R97	2.7	12952	541	75	1.00			3.0	11420	477	76	1.15	GK127R87		3.4	10127	423	77	1.30	GKF127R87		3.9	8834	369	77	1.45	GKA127R87	4P	11	3438		90.96	62		2.20	GKAF107	4.3	7972	333	77	1.65	GKAF127R87	5.0	6919	289	78	1.90			5.7	6081	254	78	2.15			2.4	14484	605	72	0.90	GK127R77		2.6	13120	548	75	1.00	GKF127R77	4P	10		3616		143.47	62	2.10		3.0	11324	473	76	1.15	GKA127R77	3.5	9816	410	76	1.30	GKAF127R77		4.0	8715	364	62	0.90			4.5	7613	318	62	1.05			5.0	6847	286	62	1.15	GK107R77		5.7	6009	251	62	1.35	GKF107R77	4P			12	3061	121.46	62	2.50	GK107	6.5	5315	222	62	1.50	GKA107R77	7.3	4692	196	62	1.70	GKAF107R77		8.3	4166	174	62	1.90			9.4	3687	154	62	2.15			10	3352	140	62	2.40								GK97R57			4P	13	2833	112.41	62	2.70	GKF107						GKF97R57								GKA97R57	4P	14	2539	100.75	62	3.00	GKA107						GKAF97R57						GK127							GKF127									GKA127	8P	16	2292	90.96	62	3.30	GKAF107						GKAF127						GK127							GKF127							GKA127							GKAF127									GK127	6P	17	2082	82.61	62	3.60							GKF127						GKA127							GKAF127							GK127							GKF127							GKA127							GKAF127							GK127							GKF127							GKA127							GKAF127							GK127							GKF127							GKA127							GKAF127							GK127							GKF127							GKA127							GKAF127							GK127							GKF127							GKA127							GKAF127							GK127							GKF127							GKA127							GKAF127							GK127							GKF127							GKA127							GKAF127							GK127							GKF127							GKA127							GKAF127							GK127							GKF127							GKA127							GKAF127							GK127							GKF127							GKA127							GKAF127							GK127							GKF127							GKA127							GKAF127							GK127							GKF127							GKA127							GKAF127							GK127							GKF127							GKA127							GKAF127							GK127							GKF127							GKA127							GKAF127							GK127							GKF127							GKA127							GKAF127							GK127							GKF127							GKA127							GKAF127							GK127							GKF127							GKA127							GKAF127							GK127							GKF127							GKA127							GKAF127							GK127							GKF127							GKA127							GKAF127							GK127							GKF127							GKA127							GKAF127							GK127							GKF127							GKA127							GKAF127							GK127							GKF127							GKA127							GKAF127							GK127							GKF127							GKA127							GKAF127							GK127							GKF127							GKA127							GKAF127							GK127							GKF127							GKA127							GKAF127							GK127							GKF127							GKA127							GKAF127							GK127							GKF127							GKA127							GKAF127							GK127							GKF127							GKA127							GKAF127							GK127							GKF127							GKA127							GKAF127							GK127							GKF127							GKA127							GKAF127							GK127							GKF127							GKA127							GKAF127							GK127							GKF127							GKA127							GKAF127							GK127							GKF127							GKA127							GKAF127							GK127							GKF127							GKA127							GKAF127							GK127							GKF127							GKA127							GKAF127							GK127							GKF127							GKA127							GKAF127							GK127							GKF127							GKA127							GKAF127							GK127							GKF127							GKA127							GKAF127							GK127							GKF127							GKA127							GKAF127							GK127							GKF127							GKA127							GKAF127							GK127							GKF127							GKA127							GKAF127							GK127							GKF127							GKA127							GKAF127							GK127							GKF127							GKA127							GKAF127							GK127							GKF127							GKA127							GKAF127							GK127							GKF127							GKA127							GKAF127							GK127							GKF127							GKA127							GKAF127							GK127							GKF127							GKA127							GKAF127							GK127							GKF127							GKA127							GKAF127							GK127							GKF127							GKA127							GKAF127							GK127							GKF127							GKA127							GKAF127							GK127							GKF127							GKA127							GKAF127							GK127							GKF127							GKA127							GKAF127							GK127							GKF127						
0.78	43956	1836	170	1.00			0.88	38976	1628	171	1.10	GK187R97		4P	7.1	5078	100.75	62	1.50	GKF107		1.1	31746	1326	171	1.25	GKA187R97		1.2	29855	1247	171	1.45				1.3	25689	1073	171	1.70			1.5	22385	935	171	1.95			1.7	20254	846	171	2.20			1.0	33135	1384	135	0.90			1.1	30501	1274	135	1.00			1.3	26192	1094	135	1.20	GK167R97	4P	7.9	4585	90.96	62	1.65		GKA107	1.6	22241	929	135		1.40	GKA167R97	1.7	20063	838		135	1.55			1.9	17812	744	135	1.75			2.3	15035	628	135	2.10			1.7	20829	870	105	0.85			1.9	18195	760	106	1.00	GK157R97	4P	8.5	4249	112.41	62		1.80	GKF107	2.5	13647		570	108	1.30	GKF157R97		2.8	12210	510	109	1.45	GKA157R97	4P	9.5	3809	100.75		62	2.00	GKA107		3.3	10462	437		109	1.70	GKAF157R97	2.7	12952	541	75	1.00			3.0	11420	477	76	1.15	GK127R87		3.4	10127	423	77	1.30	GKF127R87		3.9	8834	369	77	1.45	GKA127R87	4P	11	3438		90.96	62		2.20	GKAF107		4.3	7972	333	77	1.65	GKAF127R87	5.0	6919	289	78	1.90			5.7	6081	254	78	2.15			2.4	14484	605	72	0.90	GK127R77		2.6	13120	548	75	1.00	GKF127R77	4P	10		3616		143.47		62	2.10		3.0	11324	473	76	1.15	GKA127R77	3.5	9816	410	76	1.30	GKAF127R77		4.0	8715	364	62	0.90			4.5	7613	318	62	1.05			5.0	6847	286	62	1.15	GK107R77		5.7	6009	251	62	1.35	GKF107R77	4P				12	3061	121.46	62	2.50	GK107	6.5	5315	222	62	1.50	GKA107R77	7.3	4692	196	62	1.70	GKAF107R77		8.3	4166	174	62	1.90			9.4	3687	154	62	2.15			10	3352	140	62	2.40								GK97R57				4P	13	2833	112.41	62	2.70	GKF107						GKF97R57									GKA97R57	4P	14	2539	100.75	62	3.00	GKA107						GKAF97R57						GK127							GKF127										GKA127	8P	16	2292	90.96	62	3.30	GKAF107						GKAF127						GK127							GKF127							GKA127								GKAF127									GK127	6P	17	2082	82.61	62	3.60							GKF127						GKA127							GKAF127							GK127							GKF127							GKA127							GKAF127							GK127							GKF127							GKA127							GKAF127							GK127							GKF127							GKA127							GKAF127							GK127							GKF127							GKA127							GKAF127							GK127							GKF127							GKA127							GKAF127							GK127							GKF127							GKA127							GKAF127							GK127							GKF127							GKA127							GKAF127							GK127							GKF127							GKA127							GKAF127							GK127							GKF127							GKA127							GKAF127							GK127							GKF127							GKA127							GKAF127							GK127							GKF127							GKA127							GKAF127							GK127							GKF127							GKA127							GKAF127							GK127							GKF127							GKA127							GKAF127							GK127							GKF127							GKA127							GKAF127							GK127							GKF127							GKA127							GKAF127							GK127							GKF127							GKA127							GKAF127							GK127							GKF127							GKA127							GKAF127							GK127							GKF127							GKA127							GKAF127							GK127							GKF127							GKA127							GKAF127							GK127							GKF127							GKA127							GKAF127							GK127							GKF127							GKA127							GKAF127							GK127							GKF127							GKA127							GKAF127							GK127							GKF127							GKA127							GKAF127							GK127							GKF127							GKA127							GKAF127							GK127							GKF127							GKA127							GKAF127							GK127							GKF127							GKA127							GKAF127							GK127							GKF127							GKA127							GKAF127							GK127							GKF127							GKA127							GKAF127							GK127							GKF127							GKA127							GKAF127							GK127							GKF127							GKA127							GKAF127							GK127							GKF127							GKA127							GKAF127							GK127							GKF127							GKA127							GKAF127							GK127							GKF127							GKA127							GKAF127							GK127							GKF127							GKA127							GKAF127							GK127							GKF127							GKA127							GKAF127							GK127							GKF127							GKA127							GKAF127							GK127							GKF127							GKA127							GKAF127							GK127							GKF127							GKA127							GKAF127							GK127							GKF127							GKA127							GKAF127							GK127							GKF127							GKA127							GKAF127							GK127							GKF127							GKA127							GKAF127							GK127							GKF127							GKA127							GKAF127							GK127							GKF127							GKA127							GKAF127							GK127							GKF127							GKA127							GKAF127							GK127							GKF127							GKA127							GKAF127							GK127							GKF127							GKA127							GKAF127							GK127							GKF127							GKA127							GKAF127							GK127							GKF127							GKA127							GKAF127							GK127							GKF127							GKA127							GKAF127							GK127							GKF127							GKA127							GKAF127							GK127							GKF127							GKA127							GKAF127							GK127							GKF127							GKA127							GKAF127							GK127							GKF127		
0.88	38976	1628	171	1.10	GK187R97	4P	7.1	5078	100.75	62	1.50	GKF107																																																																																																																																																																																																																																																																																																																																																																																																																																																																																																																																																																																																																																																																																																																																																																																																																																																																																																																																																																																																																																																																																																																																																																																																																																																																																																																																																																																																																																																																																																																																																																																																																																																																																																																																																																																																																																																																																																																																																																																																												
1.1	31746	1326	171	1.25	GKA187R97		1.2	29855	1247	171	1.45				1.3	25689	1073	171	1.70				1.5	22385	935	171	1.95				1.7	20254	846	171		2.20			1.0	33135	1384	135	0.90			1.1	30501	1274	135	1.00			1.3	26192	1094	135	1.20	GK167R97	4P	7.9	4585	90.96	62	1.65	GKA107	1.6	22241	929	135	1.40	GKA167R97	1.7	20063	838	135	1.55				1.9	17812	744	135		1.75			2.3	15035		628	135	2.10				1.7	20829	870	105	0.85			1.9	18195	760	106	1.00	GK157R97	4P	8.5	4249	112.41	62	1.80	GKF107	2.5	13647	570	108	1.30	GKF157R97	2.8	12210	510	109	1.45		GKA157R97	4P	9.5	3809		100.75	62	2.00	GKA107		3.3	10462	437	109		1.70	GKAF157R97	2.7	12952	541	75		1.00				3.0	11420	477		76	1.15	GK127R87			3.4	10127	423	77	1.30	GKF127R87		3.9	8834	369	77	1.45	GKA127R87	4P	11	3438	90.96	62	2.20	GKAF107	4.3	7972	333	77	1.65	GKAF127R87	5.0	6919	289		78	1.90					5.7	6081		254	78	2.15			2.4	14484	605	72	0.90	GK127R77		2.6	13120	548	75	1.00	GKF127R77	4P	10	3616	143.47	62	2.10		3.0	11324	473	76	1.15	GKA127R77	3.5	9816		410		76		1.30		GKAF127R77		4.0	8715	364	62	0.90			4.5	7613	318	62	1.05			5.0	6847	286	62	1.15	GK107R77		5.7	6009	251	62	1.35	GKF107R77	4P	12	3061	121.46	62	2.50	GK107	6.5	5315	222	62	1.50	GKA107R77	7.3					4692	196	62	1.70	GKAF107R77		8.3	4166	174	62	1.90			9.4	3687	154	62	2.15			10	3352	140	62	2.40								GK97R57	4P	13	2833	112.41	62	2.70	GKF107						GKF97R57										GKA97R57	4P	14	2539	100.75	62	3.00	GKA107										GKAF97R57						GK127							GKF127							GKA127	8P	16	2292	90.96	62		3.30	GKAF107									GKAF127						GK127							GKF127							GKA127							GKAF127							GK127	6P		17	2082	82.61		62	3.60									GKF127						GKA127							GKAF127							GK127							GKF127							GKA127							GKAF127							GK127							GKF127							GKA127							GKAF127							GK127							GKF127							GKA127							GKAF127							GK127							GKF127							GKA127							GKAF127							GK127							GKF127							GKA127							GKAF127							GK127							GKF127							GKA127							GKAF127							GK127							GKF127							GKA127							GKAF127							GK127							GKF127							GKA127							GKAF127							GK127							GKF127							GKA127							GKAF127							GK127							GKF127							GKA127							GKAF127							GK127							GKF127							GKA127							GKAF127							GK127							GKF127							GKA127							GKAF127							GK127							GKF127							GKA127							GKAF127							GK127							GKF127							GKA127							GKAF127							GK127							GKF127							GKA127							GKAF127							GK127							GKF127							GKA127							GKAF127							GK127							GKF127							GKA127							GKAF127							GK127							GKF127							GKA127							GKAF127							GK127							GKF127							GKA127							GKAF127							GK127							GKF127							GKA127							GKAF127							GK127							GKF127							GKA127							GKAF127							GK127							GKF127							GKA127							GKAF127							GK127							GKF127							GKA127							GKAF127							GK127							GKF127							GKA127							GKAF127							GK127							GKF127							GKA127							GKAF127							GK127							GKF127							GKA127							GKAF127							GK127							GKF127							GKA127							GKAF127							GK127							GKF127							GKA127							GKAF127							GK127							GKF127							GKA127							GKAF127							GK127							GKF127							GKA127							GKAF127							GK127							GKF127							GKA127							GKAF127							GK127							GKF127							GKA127							GKAF127							GK127							GKF127							GKA127							GKAF127							GK127							GKF127							GKA127							GKAF127							GK127							GKF127							GKA127							GKAF127							GK127							GKF127							GKA127							GKAF127							GK127							GKF127							GKA127							GKAF127							GK127							GKF127							GKA127							GKAF127							GK127							GKF127							GKA127							GKAF127							GK127							GKF127							GKA127							GKAF127							GK127							GKF127							GKA127							GKAF127							GK127							GKF127							GKA127							GKAF127							GK127							GKF127							GKA127							GKAF127							GK127							GKF127							GKA127							GKAF127							GK127							GKF127							GKA127							GKAF127							GK127							GKF127							GKA127							GKAF127							GK127							GKF127							GKA127							GKAF127							GK127							GKF127							GKA127							GKAF127							GK127							GKF127							GKA127							GKAF127							GK127							GKF127							GKA127							GKAF127							GK127							GKF127							GKA127							GKAF127							GK127							GKF127							GKA127							GKAF127							GK127							GKF127											
1.2	29855	1247	171	1.45				1.3	25689	1073	171	1.70				1.5	22385	935	171	1.95				1.7	20254	846	171		2.20			1.0	33135	1384	135	0.90			1.1	30501	1274	135	1.00			1.3	26192	1094	135	1.20	GK167R97	4P	7.9	4585	90.96	62	1.65	GKA107		1.6	22241	929	135	1.40	GKA167R97	1.7	20063	838	135	1.55			1.9	17812	744	135	1.75				2.3	15035	628		135	2.10			1.7		20829	870	105	0.85			1.9	18195	760	106	1.00	GK157R97	4P	8.5	4249	112.41	62	1.80	GKF107		2.5	13647	570	108	1.30	GKF157R97	2.8	12210	510	109	1.45	GKA157R97	4P	9.5	3809	100.75	62		2.00		GKA107	3.3		10462	437	109	1.70		GKAF157R97	2.7	12952	541	75	1.00			3.0	11420	477		76	1.15	GK127R87			3.4	10127		423	77	1.30	GKF127R87		3.9	8834	369	77	1.45	GKA127R87	4P	11	3438	90.96	62	2.20	GKAF107		4.3	7972	333	77	1.65	GKAF127R87	5.0	6919	289	78	1.90			5.7	6081		254	78		2.15				2.4	14484	605	72	0.90	GK127R77		2.6	13120	548	75	1.00	GKF127R77	4P	10	3616	143.47	62	2.10			3.0	11324	473	76	1.15	GKA127R77	3.5	9816	410	76	1.30	GKAF127R77		4.0		8715		364		62	0.90			4.5	7613	318	62	1.05			5.0	6847	286	62	1.15	GK107R77		5.7	6009	251	62	1.35	GKF107R77	4P	12	3061	121.46	62	2.50	GK107		6.5	5315	222	62	1.50	GKA107R77	7.3	4692	196	62	1.70	GKAF107R77					8.3	4166	174	62	1.90			9.4	3687	154	62	2.15			10	3352	140	62	2.40								GK97R57	4P	13	2833	112.41	62	2.70	GKF107							GKF97R57						GKA97R57	4P				14	2539	100.75	62	3.00	GKA107							GKAF97R57								GK127								GKF127							GKA127	8P	16	2292	90.96	62	3.30	GKAF107							GKAF127									GK127							GKF127							GKA127							GKAF127							GK127	6P	17	2082	82.61	62	3.60									GKF127								GKA127							GKAF127							GK127							GKF127							GKA127							GKAF127							GK127							GKF127							GKA127							GKAF127							GK127							GKF127							GKA127							GKAF127							GK127							GKF127							GKA127							GKAF127							GK127							GKF127							GKA127							GKAF127							GK127							GKF127							GKA127							GKAF127							GK127							GKF127							GKA127							GKAF127							GK127							GKF127							GKA127							GKAF127							GK127							GKF127							GKA127							GKAF127							GK127							GKF127							GKA127							GKAF127							GK127							GKF127							GKA127							GKAF127							GK127							GKF127							GKA127							GKAF127							GK127							GKF127							GKA127							GKAF127							GK127							GKF127							GKA127							GKAF127							GK127							GKF127							GKA127							GKAF127							GK127							GKF127							GKA127							GKAF127							GK127							GKF127							GKA127							GKAF127							GK127							GKF127							GKA127							GKAF127							GK127							GKF127							GKA127							GKAF127							GK127							GKF127							GKA127							GKAF127							GK127							GKF127							GKA127							GKAF127							GK127							GKF127							GKA127							GKAF127							GK127							GKF127							GKA127							GKAF127							GK127							GKF127							GKA127							GKAF127							GK127							GKF127							GKA127							GKAF127							GK127							GKF127							GKA127							GKAF127							GK127							GKF127							GKA127							GKAF127							GK127							GKF127							GKA127							GKAF127							GK127							GKF127							GKA127							GKAF127							GK127							GKF127							GKA127							GKAF127							GK127							GKF127							GKA127							GKAF127							GK127							GKF127							GKA127							GKAF127							GK127							GKF127							GKA127							GKAF127							GK127							GKF127							GKA127							GKAF127							GK127							GKF127							GKA127							GKAF127							GK127							GKF127							GKA127							GKAF127							GK127							GKF127							GKA127							GKAF127							GK127							GKF127							GKA127							GKAF127							GK127							GKF127							GKA127							GKAF127							GK127							GKF127							GKA127							GKAF127							GK127							GKF127							GKA127							GKAF127							GK127							GKF127							GKA127							GKAF127							GK127							GKF127							GKA127							GKAF127							GK127							GKF127							GKA127							GKAF127							GK127							GKF127							GKA127							GKAF127							GK127							GKF127							GKA127							GKAF127							GK127							GKF127							GKA127							GKAF127							GK127							GKF127							GKA127							GKAF127							GK127							GKF127							GKA127							GKAF127							GK127							GKF127							GKA127							GKAF127							GK127							GKF127							GKA127							GKAF127							GK127							GKF127							GKA127							GKAF127							GK127							GKF127																		
1.3	25689	1073	171	1.70				1.5	22385	935	171	1.95				1.7	20254	846	171	2.20				1.0	33135	1384	135	0.90			1.1	30501	1274	135	1.00			1.3	26192	1094	135	1.20	GK167R97	4P	7.9	4585	90.96	62	1.65	GKA107	1.6		22241	929	135	1.40	GKA167R97	1.7		20063	838	135	1.55			1.9	17812	744	135	1.75			2.3	15035	628	135	2.10				1.7	20829	870		105	0.85			1.9	18195	760	106	1.00	GK157R97	4P	8.5	4249	112.41	62	1.80	GKF107	2.5		13647	570	108	1.30	GKF157R97	2.8		12210	510	109	1.45	GKA157R97	4P	9.5	3809	100.75	62	2.00	GKA107		3.3	10462	437	109		1.70		GKAF157R97	2.7		12952	541	75	1.00			3.0	11420	477	76	1.15	GK127R87		3.4	10127	423		77	1.30	GKF127R87			3.9	8834	369	77	1.45	GKA127R87	4P	11	3438	90.96	62	2.20	GKAF107	4.3		7972	333	77	1.65	GKAF127R87	5.0		6919	289	78	1.90			5.7	6081	254	78	2.15			2.4	14484		605	72		0.90	GK127R77		2.6	13120	548	75	1.00	GKF127R77	4P	10	3616	143.47	62	2.10		3.0		11324	473	76	1.15	GKA127R77	3.5		9816	410	76	1.30	GKAF127R77		4.0	8715	364	62	0.90			4.5		7613		318	62	1.05			5.0	6847	286	62	1.15	GK107R77		5.7	6009	251	62	1.35	GKF107R77	4P	12	3061	121.46	62	2.50	GK107	6.5		5315	222	62	1.50	GKA107R77	7.3		4692	196	62	1.70	GKAF107R77		8.3	4166	174	62	1.90					9.4	3687	154	62	2.15			10	3352	140	62	2.40								GK97R57	4P	13	2833	112.41	62	2.70	GKF107							GKF97R57							GKA97R57	4P	14	2539	100.75	62	3.00	GKA107									GKAF97R57							GK127							GKF127									GKA127	8P	16	2292	90.96	62	3.30	GKAF107							GKAF127							GK127								GKF127								GKA127							GKAF127							GK127	6P	17	2082	82.61	62	3.60								GKF127							GKA127									GKAF127							GK127							GKF127							GKA127							GKAF127							GK127							GKF127							GKA127							GKAF127							GK127							GKF127							GKA127							GKAF127							GK127							GKF127							GKA127							GKAF127							GK127							GKF127							GKA127							GKAF127							GK127							GKF127							GKA127							GKAF127							GK127							GKF127							GKA127							GKAF127							GK127							GKF127							GKA127							GKAF127							GK127							GKF127							GKA127							GKAF127							GK127							GKF127							GKA127							GKAF127							GK127							GKF127							GKA127							GKAF127							GK127							GKF127							GKA127							GKAF127							GK127							GKF127							GKA127							GKAF127							GK127							GKF127							GKA127							GKAF127							GK127							GKF127							GKA127							GKAF127							GK127							GKF127							GKA127							GKAF127							GK127							GKF127							GKA127							GKAF127							GK127							GKF127							GKA127							GKAF127							GK127							GKF127							GKA127							GKAF127							GK127							GKF127							GKA127							GKAF127							GK127							GKF127							GKA127							GKAF127							GK127							GKF127							GKA127							GKAF127							GK127							GKF127							GKA127							GKAF127							GK127							GKF127							GKA127							GKAF127							GK127							GKF127							GKA127							GKAF127							GK127							GKF127							GKA127							GKAF127							GK127							GKF127							GKA127							GKAF127							GK127							GKF127							GKA127							GKAF127							GK127							GKF127							GKA127							GKAF127							GK127							GKF127							GKA127							GKAF127							GK127							GKF127							GKA127							GKAF127							GK127							GKF127							GKA127							GKAF127							GK127							GKF127							GKA127							GKAF127							GK127							GKF127							GKA127							GKAF127							GK127							GKF127							GKA127							GKAF127							GK127							GKF127							GKA127							GKAF127							GK127							GKF127							GKA127							GKAF127							GK127							GKF127							GKA127							GKAF127							GK127							GKF127							GKA127							GKAF127							GK127							GKF127							GKA127							GKAF127							GK127							GKF127							GKA127							GKAF127							GK127							GKF127							GKA127							GKAF127							GK127							GKF127							GKA127							GKAF127							GK127							GKF127							GKA127							GKAF127							GK127							GKF127							GKA127							GKAF127							GK127							GKF127							GKA127							GKAF127							GK127							GKF127							GKA127							GKAF127							GK127							GKF127							GKA127							GKAF127							GK127							GKF127							GKA127							GKAF127							GK127							GKF127							GKA127							GKAF127							GK127							GKF127							GKA127							GKAF127							GK127							GKF127							GKA127							GKAF127							GK127							GKF127																										
1.5	22385	935	171	1.95				1.7	20254	846	171	2.20				1.0	33135	1384	135	0.90			1.1	30501	1274	135	1.00			1.3	26192	1094	135	1.20	GK167R97	4P	7.9	4585	90.96	62	1.65	GKA107	1.6		22241	929	135	1.40	GKA167R97	1.7	20063		838	135	1.55			1.9		17812	744	135	1.75			2.3	15035	628	135	2.10			1.7	20829	870	105	0.85				1.9	18195	760	106	1.00	GK157R97	4P	8.5	4249	112.41	62	1.80	GKF107	2.5		13647	570	108	1.30	GKF157R97	2.8	12210		510	109	1.45	GKA157R97	4P	9.5		3809	100.75	62	2.00	GKA107		3.3	10462	437	109	1.70	GKAF157R97		2.7	12952	541	75		1.00				3.0	11420	477	76	1.15	GK127R87		3.4	10127	423	77	1.30	GKF127R87		3.9	8834	369		77	1.45	GKA127R87	4P	11	3438	90.96	62	2.20	GKAF107	4.3		7972	333	77	1.65	GKAF127R87	5.0	6919		289	78	1.90			5.7		6081	254	78	2.15			2.4	14484	605	72	0.90	GK127R77		2.6	13120		548	75	1.00	GKF127R77	4P	10	3616	143.47	62	2.10		3.0		11324	473	76	1.15	GKA127R77	3.5	9816		410	76	1.30	GKAF127R77		4.0		8715	364	62	0.90			4.5	7613	318	62	1.05			5.0		6847	286	62	1.15	GK107R77		5.7	6009	251	62	1.35	GKF107R77	4P	12	3061	121.46	62	2.50	GK107	6.5		5315	222	62	1.50	GKA107R77	7.3	4692		196	62	1.70	GKAF107R77		8.3		4166	174	62	1.90			9.4	3687	154	62	2.15				10	3352	140	62	2.40								GK97R57	4P	13	2833	112.41	62	2.70	GKF107							GKF97R57							GKA97R57	4P	14		2539	100.75	62	3.00	GKA107							GKAF97R57								GK127								GKF127							GKA127	8P	16		2292	90.96	62	3.30	GKAF107							GKAF127							GK127								GKF127							GKA127								GKAF127							GK127	6P	17	2082	82.61	62	3.60								GKF127							GKA127								GKAF127							GK127								GKF127							GKA127							GKAF127							GK127							GKF127							GKA127							GKAF127							GK127							GKF127							GKA127							GKAF127							GK127							GKF127							GKA127							GKAF127							GK127							GKF127							GKA127							GKAF127							GK127							GKF127							GKA127							GKAF127							GK127							GKF127							GKA127							GKAF127							GK127							GKF127							GKA127							GKAF127							GK127							GKF127							GKA127							GKAF127							GK127							GKF127							GKA127							GKAF127							GK127							GKF127							GKA127							GKAF127							GK127							GKF127							GKA127							GKAF127							GK127							GKF127							GKA127							GKAF127							GK127							GKF127							GKA127							GKAF127							GK127							GKF127							GKA127							GKAF127							GK127							GKF127							GKA127							GKAF127							GK127							GKF127							GKA127							GKAF127							GK127							GKF127							GKA127							GKAF127							GK127							GKF127							GKA127							GKAF127							GK127							GKF127							GKA127							GKAF127							GK127							GKF127							GKA127							GKAF127							GK127							GKF127							GKA127							GKAF127							GK127							GKF127							GKA127							GKAF127							GK127							GKF127							GKA127							GKAF127							GK127							GKF127							GKA127							GKAF127							GK127							GKF127							GKA127							GKAF127							GK127							GKF127							GKA127							GKAF127							GK127							GKF127							GKA127							GKAF127							GK127							GKF127							GKA127							GKAF127							GK127							GKF127							GKA127							GKAF127							GK127							GKF127							GKA127							GKAF127							GK127							GKF127							GKA127							GKAF127							GK127							GKF127							GKA127							GKAF127							GK127							GKF127							GKA127							GKAF127							GK127							GKF127							GKA127							GKAF127							GK127							GKF127							GKA127							GKAF127							GK127							GKF127							GKA127							GKAF127							GK127							GKF127							GKA127							GKAF127							GK127							GKF127							GKA127							GKAF127							GK127							GKF127							GKA127							GKAF127							GK127							GKF127							GKA127							GKAF127							GK127							GKF127							GKA127							GKAF127							GK127							GKF127							GKA127							GKAF127							GK127							GKF127							GKA127							GKAF127							GK127							GKF127							GKA127							GKAF127							GK127							GKF127							GKA127							GKAF127							GK127							GKF127							GKA127							GKAF127							GK127							GKF127							GKA127							GKAF127							GK127							GKF127							GKA127							GKAF127							GK127							GKF127							GKA127							GKAF127							GK127							GKF127							GKA127							GKAF127							GK127							GKF127							GKA127							GKAF127							GK127							GKF127																																		
1.7	20254	846	171	2.20																																																																																																																																																																																																																																																																																																																																																																																																																																																																																																																																																																																																																																																																																																																																																																																																																																																																																																																																																																																																																																																																																																																																																																																																																																																																																																																																																																																																																																																																																																																																																																																																																																																																																																																																																																																																																																																																																																																																																																																																																				
1.0	33135	1384	135	0.90			1.1	30501	1274	135	1.00			1.3	26192	1094	135	1.20	GK167R97	4P	7.9	4585	90.96	62	1.65	GKA107	1.6	22241	929	135	1.40	GKA167R97	1.7	20063	838		135	1.55			1.9	17812	744		135	1.75			2.3	15035	628		135	2.10			1.7	20829		870	105	0.85			1.9	18195	760	106	1.00	GK157R97	4P	8.5	4249	112.41	62	1.80	GKF107	2.5	13647	570	108	1.30	GKF157R97	2.8	12210	510		109	1.45	GKA157R97	4P	9.5	3809	100.75		62	2.00	GKA107	3.3	10462	437	109		1.70	GKAF157R97	2.7	12952		541		75	1.00			3.0		11420	477	76	1.15	GK127R87			3.4	10127	423	77	1.30	GKF127R87			3.9	8834	369	77	1.45	GKA127R87	4P	11	3438	90.96	62	2.20	GKAF107	4.3	7972	333	77	1.65	GKAF127R87	5.0	6919	289		78	1.90			5.7	6081	254		78	2.15			2.4	14484	605		72	0.90	GK127R77		2.6	13120		548	75	1.00	GKF127R77	4P	10	3616	143.47	62	2.10		3.0	11324	473	76	1.15	GKA127R77	3.5	9816	410		76	1.30	GKAF127R77		4.0	8715	364		62	0.90			4.5	7613	318		62	1.05			5.0	6847		286	62	1.15	GK107R77		5.7	6009	251	62	1.35	GKF107R77	4P	12	3061	121.46	62	2.50	GK107	6.5	5315	222	62	1.50	GKA107R77	7.3	4692	196		62	1.70	GKAF107R77		8.3	4166	174		62	1.90			9.4	3687	154		62	2.15			10	3352		140	62	2.40								GK97R57	4P	13	2833	112.41	62	2.70	GKF107						GKF97R57							GKA97R57	4P	14	2539	100.75		62	3.00	GKA107							GKAF97R57								GK127								GKF127								GKA127	8P	16	2292		90.96	62	3.30	GKAF107						GKAF127							GK127								GKF127								GKA127								GKAF127							GK127	6P	17	2082	82.61	62	3.60							GKF127							GKA127								GKAF127								GK127								GKF127							GKA127							GKAF127							GK127							GKF127							GKA127							GKAF127							GK127							GKF127							GKA127							GKAF127							GK127							GKF127							GKA127							GKAF127							GK127							GKF127							GKA127							GKAF127							GK127							GKF127							GKA127							GKAF127							GK127							GKF127							GKA127							GKAF127							GK127							GKF127							GKA127							GKAF127							GK127							GKF127							GKA127							GKAF127							GK127							GKF127							GKA127							GKAF127							GK127							GKF127							GKA127							GKAF127							GK127							GKF127							GKA127							GKAF127							GK127							GKF127							GKA127							GKAF127							GK127							GKF127							GKA127							GKAF127							GK127							GKF127							GKA127							GKAF127							GK127							GKF127							GKA127							GKAF127							GK127							GKF127							GKA127							GKAF127							GK127							GKF127							GKA127							GKAF127							GK127							GKF127							GKA127							GKAF127							GK127							GKF127							GKA127							GKAF127							GK127							GKF127							GKA127							GKAF127							GK127							GKF127							GKA127							GKAF127							GK127							GKF127							GKA127							GKAF127							GK127							GKF127							GKA127							GKAF127							GK127							GKF127							GKA127							GKAF127							GK127							GKF127							GKA127							GKAF127							GK127							GKF127							GKA127							GKAF127							GK127							GKF127							GKA127							GKAF127							GK127							GKF127							GKA127							GKAF127							GK127							GKF127							GKA127							GKAF127							GK127							GKF127							GKA127							GKAF127							GK127							GKF127							GKA127							GKAF127							GK127							GKF127							GKA127							GKAF127							GK127							GKF127							GKA127							GKAF127							GK127							GKF127							GKA127							GKAF127							GK127							GKF127							GKA127							GKAF127							GK127							GKF127							GKA127							GKAF127							GK127							GKF127							GKA127							GKAF127							GK127							GKF127							GKA127							GKAF127							GK127							GKF127							GKA127							GKAF127							GK127							GKF127							GKA127							GKAF127							GK127							GKF127							GKA127							GKAF127							GK127							GKF127							GKA127							GKAF127							GK127							GKF127							GKA127							GKAF127							GK127							GKF127							GKA127							GKAF127							GK127							GKF127							GKA127							GKAF127							GK127							GKF127							GKA127							GKAF127							GK127							GKF127							GKA127							GKAF127							GK127							GKF127							GKA127							GKAF127							GK127							GKF127							GKA127							GKAF127							GK127							GKF127							GKA127							GKAF127							GK127							GKF127							GKA127							GKAF127							GK127							GKF127																																																		
1.1	30501	1274	135	1.00			1.3	26192	1094	135	1.20	GK167R97	4P	7.9	4585	90.96	62	1.65	GKA107		1.6	22241	929	135	1.40	GKA167R97	1.7	20063	838	135	1.55			1.9	17812		744	135	1.75			2.3	15035		628	135	2.10			1.7	20829		870	105	0.85			1.9	18195	760	106	1.00	GK157R97	4P	8.5	4249	112.41	62	1.80	GKF107		2.5	13647	570	108	1.30	GKF157R97	2.8	12210	510	109	1.45	GKA157R97	4P	9.5	3809		100.75	62	2.00		GKA107	3.3	10462		437	109	1.70	GKAF157R97	2.7	12952	541		75	1.00				3.0	11420	477	76	1.15	GK127R87			3.4	10127	423	77	1.30	GKF127R87			3.9	8834	369	77	1.45	GKA127R87	4P	11	3438	90.96	62	2.20	GKAF107		4.3	7972	333	77	1.65	GKAF127R87	5.0	6919	289	78	1.90			5.7	6081		254	78	2.15			2.4	14484		605	72	0.90	GK127R77		2.6	13120		548	75	1.00	GKF127R77	4P	10	3616	143.47	62	2.10			3.0	11324	473	76	1.15	GKA127R77	3.5	9816	410	76	1.30	GKAF127R77		4.0	8715		364	62	0.90			4.5	7613		318	62	1.05			5.0	6847		286	62	1.15	GK107R77		5.7	6009	251	62	1.35	GKF107R77	4P	12	3061	121.46	62	2.50	GK107		6.5	5315	222	62	1.50	GKA107R77	7.3	4692	196	62	1.70	GKAF107R77		8.3	4166		174	62	1.90			9.4	3687		154	62	2.15			10	3352		140	62	2.40								GK97R57	4P	13	2833	112.41	62	2.70	GKF107							GKF97R57						GKA97R57	4P	14	2539		100.75	62	3.00		GKA107							GKAF97R57							GK127								GKF127								GKA127		8P	16	2292	90.96	62	3.30		GKAF107						GKAF127						GK127								GKF127								GKA127								GKAF127							GK127	6P	17	2082	82.61	62	3.60								GKF127						GKA127								GKAF127								GK127								GKF127							GKA127							GKAF127							GK127							GKF127							GKA127							GKAF127							GK127							GKF127							GKA127							GKAF127							GK127							GKF127							GKA127							GKAF127							GK127							GKF127							GKA127							GKAF127							GK127							GKF127							GKA127							GKAF127							GK127							GKF127							GKA127							GKAF127							GK127							GKF127							GKA127							GKAF127							GK127							GKF127							GKA127							GKAF127							GK127							GKF127							GKA127							GKAF127							GK127							GKF127							GKA127							GKAF127							GK127							GKF127							GKA127							GKAF127							GK127							GKF127							GKA127							GKAF127							GK127							GKF127							GKA127							GKAF127							GK127							GKF127							GKA127							GKAF127							GK127							GKF127							GKA127							GKAF127							GK127							GKF127							GKA127							GKAF127							GK127							GKF127							GKA127							GKAF127							GK127							GKF127							GKA127							GKAF127							GK127							GKF127							GKA127							GKAF127							GK127							GKF127							GKA127							GKAF127							GK127							GKF127							GKA127							GKAF127							GK127							GKF127							GKA127							GKAF127							GK127							GKF127							GKA127							GKAF127							GK127							GKF127							GKA127							GKAF127							GK127							GKF127							GKA127							GKAF127							GK127							GKF127							GKA127							GKAF127							GK127							GKF127							GKA127							GKAF127							GK127							GKF127							GKA127							GKAF127							GK127							GKF127							GKA127							GKAF127							GK127							GKF127							GKA127							GKAF127							GK127							GKF127							GKA127							GKAF127							GK127							GKF127							GKA127							GKAF127							GK127							GKF127							GKA127							GKAF127							GK127							GKF127							GKA127							GKAF127							GK127							GKF127							GKA127							GKAF127							GK127							GKF127							GKA127							GKAF127							GK127							GKF127							GKA127							GKAF127							GK127							GKF127							GKA127							GKAF127							GK127							GKF127							GKA127							GKAF127							GK127							GKF127							GKA127							GKAF127							GK127							GKF127							GKA127							GKAF127							GK127							GKF127							GKA127							GKAF127							GK127							GKF127							GKA127							GKAF127							GK127							GKF127							GKA127							GKAF127							GK127							GKF127							GKA127							GKAF127							GK127							GKF127							GKA127							GKAF127							GK127							GKF127							GKA127							GKAF127							GK127							GKF127							GKA127							GKAF127							GK127							GKF127							GKA127							GKAF127							GK127							GKF127							GKA127							GKAF127							GK127							GKF127							GKA127							GKAF127							GK127							GKF127																																																									
1.3	26192	1094	135	1.20	GK167R97	4P	7.9	4585	90.96	62	1.65	GKA107																																																																																																																																																																																																																																																																																																																																																																																																																																																																																																																																																																																																																																																																																																																																																																																																																																																																																																																																																																																																																																																																																																																																																																																																																																																																																																																																																																																																																																																																																																																																																																																																																																																																																																																																																																																																																																																																																																																																																																																																												
1.6	22241	929	135	1.40	GKA167R97		1.7	20063	838	135	1.55				1.9	17812	744	135	1.75				2.3	15035	628	135	2.10			1.7	20829	870	105	0.85				1.9	18195	760	106	1.00	GK157R97	4P	8.5	4249	112.41	62	1.80	GKF107	2.5	13647	570	108	1.30	GKF157R97	2.8	12210	510	109	1.45	GKA157R97	4P		9.5	3809	100.75	62	2.00	GKA107		3.3	10462	437	109	1.70	GKAF157R97	2.7	12952	541	75	1.00				3.0		11420	477	76		1.15	GK127R87		3.4	10127	423	77	1.30	GKF127R87		3.9	8834	369	77	1.45	GKA127R87		4P	11	3438	90.96	62	2.20	GKAF107	4.3	7972	333	77	1.65	GKAF127R87	5.0	6919	289	78	1.90			5.7	6081		254	78	2.15			2.4		14484	605	72	0.90	GK127R77		2.6	13120	548	75	1.00	GKF127R77	4P	10	3616		143.47	62	2.10		3.0	11324	473	76	1.15	GKA127R77	3.5	9816	410	76	1.30	GKAF127R77		4.0	8715	364		62	0.90			4.5	7613		318	62	1.05			5.0	6847	286	62	1.15	GK107R77		5.7	6009	251		62	1.35	GKF107R77	4P	12	3061	121.46	62	2.50	GK107	6.5	5315	222	62	1.50	GKA107R77	7.3	4692	196	62	1.70	GKAF107R77		8.3	4166	174	62		1.90			9.4	3687	154		62	2.15			10	3352	140	62	2.40									GK97R57	4P	13	2833	112.41	62	2.70	GKF107						GKF97R57						GKA97R57	4P	14	2539	100.75	62	3.00		GKA107							GKAF97R57						GK127								GKF127									GKA127	8P	16	2292	90.96	62	3.30	GKAF107							GKAF127						GK127							GKF127									GKA127							GKAF127							GK127		6P	17	2082	82.61	62	3.60							GKF127						GKA127							GKAF127								GK127								GKF127							GKA127								GKAF127							GK127							GKF127							GKA127							GKAF127							GK127							GKF127							GKA127							GKAF127							GK127							GKF127							GKA127							GKAF127							GK127							GKF127							GKA127							GKAF127							GK127							GKF127							GKA127							GKAF127							GK127							GKF127							GKA127							GKAF127							GK127							GKF127							GKA127							GKAF127							GK127							GKF127							GKA127							GKAF127							GK127							GKF127							GKA127							GKAF127							GK127							GKF127							GKA127							GKAF127							GK127							GKF127							GKA127							GKAF127							GK127							GKF127							GKA127							GKAF127							GK127							GKF127							GKA127							GKAF127							GK127							GKF127							GKA127							GKAF127							GK127							GKF127							GKA127							GKAF127							GK127							GKF127							GKA127							GKAF127							GK127							GKF127							GKA127							GKAF127							GK127							GKF127							GKA127							GKAF127							GK127							GKF127							GKA127							GKAF127							GK127							GKF127							GKA127							GKAF127							GK127							GKF127							GKA127							GKAF127							GK127							GKF127							GKA127							GKAF127							GK127							GKF127							GKA127							GKAF127							GK127							GKF127							GKA127							GKAF127							GK127							GKF127							GKA127							GKAF127							GK127							GKF127							GKA127							GKAF127							GK127							GKF127							GKA127							GKAF127							GK127							GKF127							GKA127							GKAF127							GK127							GKF127							GKA127							GKAF127							GK127							GKF127							GKA127							GKAF127							GK127							GKF127							GKA127							GKAF127							GK127							GKF127							GKA127							GKAF127							GK127							GKF127							GKA127							GKAF127							GK127							GKF127							GKA127							GKAF127							GK127							GKF127							GKA127							GKAF127							GK127							GKF127							GKA127							GKAF127							GK127							GKF127							GKA127							GKAF127							GK127							GKF127							GKA127							GKAF127							GK127							GKF127							GKA127							GKAF127							GK127							GKF127							GKA127							GKAF127							GK127							GKF127							GKA127							GKAF127							GK127							GKF127							GKA127							GKAF127							GK127							GKF127							GKA127							GKAF127							GK127							GKF127							GKA127							GKAF127							GK127							GKF127							GKA127							GKAF127							GK127							GKF127							GKA127							GKAF127							GK127							GKF127							GKA127							GKAF127							GK127							GKF127							GKA127							GKAF127							GK127							GKF127							GKA127							GKAF127							GK127							GKF127							GKA127							GKAF127							GK127							GKF127							GKA127							GKAF127							GK127							GKF127																																																																																						
1.7	20063	838	135	1.55				1.9	17812	744	135	1.75				2.3	15035	628	135		2.10			1.7	20829	870	105	0.85			1.9	18195	760	106	1.00	GK157R97	4P	8.5	4249	112.41	62	1.80	GKF107		2.5	13647	570	108	1.30	GKF157R97	2.8	12210	510	109	1.45	GKA157R97	4P	9.5	3809	100.75	62	2.00			GKA107	3.3	10462	437	109	1.70		GKAF157R97	2.7	12952	541	75	1.00			3.0	11420	477	76		1.15	GK127R87		3.4	10127	423		77	1.30	GKF127R87		3.9	8834	369	77	1.45	GKA127R87	4P	11	3438	90.96	62	2.20	GKAF107		4.3	7972	333	77	1.65	GKAF127R87	5.0	6919	289	78	1.90			5.7	6081	254	78	2.15			2.4		14484	605	72	0.90	GK127R77			2.6	13120	548	75	1.00	GKF127R77	4P	10	3616	143.47	62	2.10			3.0	11324	473	76	1.15	GKA127R77	3.5	9816	410	76	1.30	GKAF127R77		4.0	8715	364	62	0.90			4.5	7613		318	62	1.05			5.0		6847	286	62	1.15	GK107R77		5.7	6009	251	62	1.35	GKF107R77	4P	12	3061	121.46	62	2.50	GK107		6.5	5315	222	62	1.50	GKA107R77	7.3	4692	196	62	1.70	GKAF107R77		8.3	4166	174	62	1.90			9.4	3687	154		62	2.15			10	3352		140	62	2.40								GK97R57	4P	13	2833	112.41	62	2.70	GKF107							GKF97R57						GKA97R57	4P	14	2539	100.75	62	3.00		GKA107							GKAF97R57							GK127							GKF127								GKA127	8P	16		2292	90.96	62	3.30		GKAF107						GKAF127						GK127							GKF127							GKA127									GKAF127							GK127	6P	17	2082	82.61	62	3.60								GKF127						GKA127							GKAF127							GK127								GKF127								GKA127							GKAF127							GK127							GKF127							GKA127							GKAF127							GK127							GKF127							GKA127							GKAF127							GK127							GKF127							GKA127							GKAF127							GK127							GKF127							GKA127							GKAF127							GK127							GKF127							GKA127							GKAF127							GK127							GKF127							GKA127							GKAF127							GK127							GKF127							GKA127							GKAF127							GK127							GKF127							GKA127							GKAF127							GK127							GKF127							GKA127							GKAF127							GK127							GKF127							GKA127							GKAF127							GK127							GKF127							GKA127							GKAF127							GK127							GKF127							GKA127							GKAF127							GK127							GKF127							GKA127							GKAF127							GK127							GKF127							GKA127							GKAF127							GK127							GKF127							GKA127							GKAF127							GK127							GKF127							GKA127							GKAF127							GK127							GKF127							GKA127							GKAF127							GK127							GKF127							GKA127							GKAF127							GK127							GKF127							GKA127							GKAF127							GK127							GKF127							GKA127							GKAF127							GK127							GKF127							GKA127							GKAF127							GK127							GKF127							GKA127							GKAF127							GK127							GKF127							GKA127							GKAF127							GK127							GKF127							GKA127							GKAF127							GK127							GKF127							GKA127							GKAF127							GK127							GKF127							GKA127							GKAF127							GK127							GKF127							GKA127							GKAF127							GK127							GKF127							GKA127							GKAF127							GK127							GKF127							GKA127							GKAF127							GK127							GKF127							GKA127							GKAF127							GK127							GKF127							GKA127							GKAF127							GK127							GKF127							GKA127							GKAF127							GK127							GKF127							GKA127							GKAF127							GK127							GKF127							GKA127							GKAF127							GK127							GKF127							GKA127							GKAF127							GK127							GKF127							GKA127							GKAF127							GK127							GKF127							GKA127							GKAF127							GK127							GKF127							GKA127							GKAF127							GK127							GKF127							GKA127							GKAF127							GK127							GKF127							GKA127							GKAF127							GK127							GKF127							GKA127							GKAF127							GK127							GKF127							GKA127							GKAF127							GK127							GKF127							GKA127							GKAF127							GK127							GKF127							GKA127							GKAF127							GK127							GKF127							GKA127							GKAF127							GK127							GKF127							GKA127							GKAF127							GK127							GKF127							GKA127							GKAF127							GK127							GKF127							GKA127							GKAF127							GK127							GKF127							GKA127							GKAF127							GK127							GKF127							GKA127							GKAF127							GK127							GKF127							GKA127							GKAF127							GK127							GKF127																																																																																													
1.9	17812	744	135	1.75				2.3	15035	628	135	2.10				1.7	20829	870	105		0.85			1.9	18195	760	106	1.00	GK157R97	4P	8.5	4249	112.41	62	1.80	GKF107		2.5	13647	570	108	1.30	GKF157R97		2.8	12210	510	109	1.45	GKA157R97	4P	9.5	3809	100.75	62	2.00		GKA107	3.3	10462	437	109			1.70	GKAF157R97	2.7	12952	541	75		1.00			3.0	11420	477	76	1.15	GK127R87		3.4	10127		423	77	1.30	GKF127R87		3.9		8834	369	77	1.45	GKA127R87	4P	11	3438	90.96	62		2.20	GKAF107	4.3	7972	333	77		1.65	GKAF127R87	5.0	6919	289	78	1.90			5.7	6081	254	78	2.15			2.4	14484	605	72	0.90		GK127R77		2.6	13120	548	75		1.00	GKF127R77	4P	10	3616	143.47		62	2.10		3.0	11324		473	76	1.15	GKA127R77	3.5	9816	410	76	1.30	GKAF127R77		4.0	8715	364	62	0.90			4.5	7613	318	62	1.05				5.0	6847	286	62		1.15	GK107R77		5.7	6009	251	62	1.35	GKF107R77	4P	12	3061		121.46	62	2.50	GK107	6.5	5315		222	62	1.50	GKA107R77	7.3	4692	196	62	1.70	GKAF107R77		8.3	4166	174	62	1.90			9.4	3687	154	62	2.15				10	3352	140	62		2.40								GK97R57	4P	13		2833	112.41	62	2.70	GKF107							GKF97R57						GKA97R57	4P		14	2539	100.75	62	3.00		GKA107							GKAF97R57							GK127							GKF127								GKA127		8P		16	2292	90.96	62		3.30	GKAF107						GKAF127						GK127							GKF127								GKA127								GKAF127								GK127	6P	17	2082	82.61	62		3.60							GKF127						GKA127							GKAF127								GK127								GKF127							GKA127							GKAF127							GK127							GKF127							GKA127							GKAF127							GK127							GKF127							GKA127							GKAF127							GK127							GKF127							GKA127							GKAF127							GK127							GKF127							GKA127							GKAF127							GK127							GKF127							GKA127							GKAF127							GK127							GKF127							GKA127							GKAF127							GK127							GKF127							GKA127							GKAF127							GK127							GKF127							GKA127							GKAF127							GK127							GKF127							GKA127							GKAF127							GK127							GKF127							GKA127							GKAF127							GK127							GKF127							GKA127							GKAF127							GK127							GKF127							GKA127							GKAF127							GK127							GKF127							GKA127							GKAF127							GK127							GKF127							GKA127							GKAF127							GK127							GKF127							GKA127							GKAF127							GK127							GKF127							GKA127							GKAF127							GK127							GKF127							GKA127							GKAF127							GK127							GKF127							GKA127							GKAF127							GK127							GKF127							GKA127							GKAF127							GK127							GKF127							GKA127							GKAF127							GK127							GKF127							GKA127							GKAF127							GK127							GKF127							GKA127							GKAF127							GK127							GKF127							GKA127							GKAF127							GK127							GKF127							GKA127							GKAF127							GK127							GKF127							GKA127							GKAF127							GK127							GKF127							GKA127							GKAF127							GK127							GKF127							GKA127							GKAF127							GK127							GKF127							GKA127							GKAF127							GK127							GKF127							GKA127							GKAF127							GK127							GKF127							GKA127							GKAF127							GK127							GKF127							GKA127							GKAF127							GK127							GKF127							GKA127							GKAF127							GK127							GKF127							GKA127							GKAF127							GK127							GKF127							GKA127							GKAF127							GK127							GKF127							GKA127							GKAF127							GK127							GKF127							GKA127							GKAF127							GK127							GKF127							GKA127							GKAF127							GK127							GKF127							GKA127							GKAF127							GK127							GKF127							GKA127							GKAF127							GK127							GKF127							GKA127							GKAF127							GK127							GKF127							GKA127							GKAF127							GK127							GKF127							GKA127							GKAF127							GK127							GKF127							GKA127							GKAF127							GK127							GKF127							GKA127							GKAF127							GK127							GKF127							GKA127							GKAF127							GK127							GKF127							GKA127							GKAF127							GK127							GKF127							GKA127							GKAF127							GK127							GKF127							GKA127							GKAF127							GK127							GKF127							GKA127							GKAF127							GK127							GKF127							GKA127							GKAF127							GK127							GKF127							GKA127							GKAF127							GK127							GKF127																																																																																											
2.3	15035	628	135	2.10				1.7	20829	870	105	0.85				1.9	18195	760	106	1.00	GK157R97	4P	8.5	4249	112.41	62	1.80	GKF107	2.5		13647	570	108	1.30	GKF157R97	2.8		12210	510	109	1.45	GKA157R97	4P		9.5	3809	100.75	62	2.00	GKA107		3.3	10462	437	109	1.70		GKAF157R97	2.7	12952	541	75			1.00			3.0	11420	477	76	1.15	GK127R87		3.4	10127	423	77	1.30	GKF127R87		3.9	8834		369	77	1.45	GKA127R87	4P	11	3438	90.96	62	2.20	GKAF107	4.3		7972	333	77	1.65		GKAF127R87	5.0	6919	289	78	1.90				5.7	6081	254	78	2.15			2.4	14484	605	72	0.90	GK127R77		2.6	13120	548	75	1.00		GKF127R77	4P	10	3616	143.47	62	2.10		3.0		11324	473	76		1.15	GKA127R77	3.5	9816	410		76	1.30	GKAF127R77		4.0	8715	364	62	0.90			4.5	7613	318	62	1.05			5.0	6847	286	62	1.15		GK107R77		5.7	6009	251	62	1.35	GKF107R77	4P	12	3061	121.46	62	2.50	GK107	6.5		5315	222		62	1.50	GKA107R77	7.3	4692	196		62	1.70	GKAF107R77		8.3	4166	174	62	1.90			9.4	3687	154	62	2.15			10	3352	140	62	2.40									GK97R57	4P	13	2833	112.41	62	2.70	GKF107								GKF97R57							GKA97R57	4P	14	2539	100.75	62	3.00	GKA107									GKAF97R57							GK127							GKF127							GKA127	8P	16	2292		90.96	62	3.30	GKAF107									GKAF127						GK127							GKF127							GKA127								GKAF127							GK127	6P	17	2082	82.61	62	3.60										GKF127						GKA127							GKAF127							GK127								GKF127							GKA127							GKAF127							GK127							GKF127							GKA127							GKAF127							GK127							GKF127							GKA127							GKAF127							GK127							GKF127							GKA127							GKAF127							GK127							GKF127							GKA127							GKAF127							GK127							GKF127							GKA127							GKAF127							GK127							GKF127							GKA127							GKAF127							GK127							GKF127							GKA127							GKAF127							GK127							GKF127							GKA127							GKAF127							GK127							GKF127							GKA127							GKAF127							GK127							GKF127							GKA127							GKAF127							GK127							GKF127							GKA127							GKAF127							GK127							GKF127							GKA127							GKAF127							GK127							GKF127							GKA127							GKAF127							GK127							GKF127							GKA127							GKAF127							GK127							GKF127							GKA127							GKAF127							GK127							GKF127							GKA127							GKAF127							GK127							GKF127							GKA127							GKAF127							GK127							GKF127							GKA127							GKAF127							GK127							GKF127							GKA127							GKAF127							GK127							GKF127							GKA127							GKAF127							GK127							GKF127							GKA127							GKAF127							GK127							GKF127							GKA127							GKAF127							GK127							GKF127							GKA127							GKAF127							GK127							GKF127							GKA127							GKAF127							GK127							GKF127							GKA127							GKAF127							GK127							GKF127							GKA127							GKAF127							GK127							GKF127							GKA127							GKAF127							GK127							GKF127							GKA127							GKAF127							GK127							GKF127							GKA127							GKAF127							GK127							GKF127							GKA127							GKAF127							GK127							GKF127							GKA127							GKAF127							GK127							GKF127							GKA127							GKAF127							GK127							GKF127							GKA127							GKAF127							GK127							GKF127							GKA127							GKAF127							GK127							GKF127							GKA127							GKAF127							GK127							GKF127							GKA127							GKAF127							GK127							GKF127							GKA127							GKAF127							GK127							GKF127							GKA127							GKAF127							GK127							GKF127							GKA127							GKAF127							GK127							GKF127							GKA127							GKAF127							GK127							GKF127							GKA127							GKAF127							GK127							GKF127							GKA127							GKAF127							GK127							GKF127							GKA127							GKAF127							GK127							GKF127							GKA127							GKAF127							GK127							GKF127							GKA127							GKAF127							GK127							GKF127							GKA127							GKAF127							GK127							GKF127							GKA127							GKAF127							GK127							GKF127							GKA127							GKAF127							GK127							GKF127							GKA127							GKAF127							GK127							GKF127							GKA127							GKAF127							GK127							GKF127							GKA127							GKAF127							GK127							GKF127																																																																																																			
1.7	20829	870	105	0.85																																																																																																																																																																																																																																																																																																																																																																																																																																																																																																																																																																																																																																																																																																																																																																																																																																																																																																																																																																																																																																																																																																																																																																																																																																																																																																																																																																																																																																																																																																																																																																																																																																																																																																																																																																																																																																																																																																																																																																																																																				
1.9	18195	760	106	1.00	GK157R97	4P	8.5	4249	112.41	62	1.80	GKF107																																																																																																																																																																																																																																																																																																																																																																																																																																																																																																																																																																																																																																																																																																																																																																																																																																																																																																																																																																																																																																																																																																																																																																																																																																																																																																																																																																																																																																																																																																																																																																																																																																																																																																																																																																																																																																																																																																																																																																																																												
2.5	13647	570	108	1.30	GKF157R97		2.8	12210	510	109	1.45	GKA157R97	4P	9.5	3809	100.75	62	2.00	GKA107	3.3	10462		437	109	1.70	GKAF157R97	2.7	12952	541		75	1.00			3.0	11420		477	76	1.15	GK127R87			3.4	10127	423	77	1.30	GKF127R87			3.9	8834	369	77	1.45		GKA127R87	4P	11	3438	90.96	62	2.20	GKAF107	4.3	7972	333	77	1.65	GKAF127R87	5.0	6919	289	78	1.90			5.7	6081	254	78	2.15			2.4	14484	605		72	0.90	GK127R77		2.6	13120	548		75	1.00	GKF127R77	4P		10	3616	143.47	62	2.10		3.0	11324	473	76	1.15	GKA127R77	3.5	9816	410	76	1.30	GKAF127R77		4.0	8715	364	62	0.90			4.5	7613	318	62		1.05			5.0	6847	286	62		1.15	GK107R77			5.7	6009	251	62	1.35	GKF107R77	4P	12	3061	121.46	62	2.50	GK107	6.5	5315	222	62	1.50	GKA107R77	7.3	4692	196	62	1.70	GKAF107R77		8.3	4166	174	62	1.90			9.4	3687	154	62	2.15				10	3352	140	62	2.40										GK97R57	4P	13	2833	112.41	62	2.70	GKF107						GKF97R57						GKA97R57	4P	14	2539	100.75	62	3.00	GKA107						GKAF97R57							GK127									GKF127							GKA127		8P	16	2292	90.96	62	3.30			GKAF107						GKAF127						GK127							GKF127							GKA127								GKAF127									GK127	6P	17	2082	82.61	62	3.60							GKF127						GKA127							GKAF127							GK127								GKF127									GKA127							GKAF127							GK127							GKF127							GKA127							GKAF127							GK127							GKF127							GKA127							GKAF127							GK127							GKF127							GKA127							GKAF127							GK127							GKF127							GKA127							GKAF127							GK127							GKF127							GKA127							GKAF127							GK127							GKF127							GKA127							GKAF127							GK127							GKF127							GKA127							GKAF127							GK127							GKF127							GKA127							GKAF127							GK127							GKF127							GKA127							GKAF127							GK127							GKF127							GKA127							GKAF127							GK127							GKF127							GKA127							GKAF127							GK127							GKF127							GKA127							GKAF127							GK127							GKF127							GKA127							GKAF127							GK127							GKF127							GKA127							GKAF127							GK127							GKF127							GKA127							GKAF127							GK127							GKF127							GKA127							GKAF127							GK127							GKF127							GKA127							GKAF127							GK127							GKF127							GKA127							GKAF127							GK127							GKF127							GKA127							GKAF127							GK127							GKF127							GKA127							GKAF127							GK127							GKF127							GKA127							GKAF127							GK127							GKF127							GKA127							GKAF127							GK127							GKF127							GKA127							GKAF127							GK127							GKF127							GKA127							GKAF127							GK127							GKF127							GKA127							GKAF127							GK127							GKF127							GKA127							GKAF127							GK127							GKF127							GKA127							GKAF127							GK127							GKF127							GKA127							GKAF127							GK127							GKF127							GKA127							GKAF127							GK127							GKF127							GKA127							GKAF127							GK127							GKF127							GKA127							GKAF127							GK127							GKF127							GKA127							GKAF127							GK127							GKF127							GKA127							GKAF127							GK127							GKF127							GKA127							GKAF127							GK127							GKF127							GKA127							GKAF127							GK127							GKF127							GKA127							GKAF127							GK127							GKF127							GKA127							GKAF127							GK127							GKF127							GKA127							GKAF127							GK127							GKF127							GKA127							GKAF127							GK127							GKF127							GKA127							GKAF127							GK127							GKF127							GKA127							GKAF127							GK127							GKF127							GKA127							GKAF127							GK127							GKF127							GKA127							GKAF127							GK127							GKF127							GKA127							GKAF127							GK127							GKF127							GKA127							GKAF127							GK127							GKF127							GKA127							GKAF127							GK127							GKF127							GKA127							GKAF127							GK127							GKF127							GKA127							GKAF127							GK127							GKF127							GKA127							GKAF127							GK127							GKF127							GKA127							GKAF127							GK127							GKF127							GKA127							GKAF127							GK127							GKF127																																																																																																																																								
2.8	12210	510	109	1.45	GKA157R97		4P	9.5	3809	100.75	62	2.00		GKA107																																																																																																																																																																																																																																																																																																																																																																																																																																																																																																																																																																																																																																																																																																																																																																																																																																																																																																																																																																																																																																																																																																																																																																																																																																																																																																																																																																																																																																																																																																																																																																																																																																																																																																																																																																																																																																																																																																																																																																																																										
3.3	10462	437	109	1.70	GKAF157R97			2.7	12952	541	75	1.00				3.0	11420	477	76	1.15	GK127R87			3.4	10127	423	77	1.30	GKF127R87		3.9	8834	369	77	1.45	GKA127R87	4P	11	3438	90.96	62	2.20		GKAF107	4.3	7972	333	77	1.65	GKAF127R87	5.0	6919	289	78	1.90			5.7		6081	254	78	2.15			2.4	14484	605	72	0.90	GK127R77		2.6	13120	548	75	1.00	GKF127R77	4P	10	3616	143.47	62	2.10		3.0	11324	473		76	1.15	GKA127R77	3.5	9816	410	76	1.30	GKAF127R77		4.0		8715	364	62	0.90			4.5	7613	318	62	1.05			5.0	6847	286	62	1.15	GK107R77		5.7	6009	251	62	1.35	GKF107R77	4P	12	3061	121.46	62		2.50	GK107	6.5	5315	222	62	1.50	GKA107R77	7.3	4692	196	62	1.70	GKAF107R77		8.3	4166	174		62	1.90			9.4	3687	154	62	2.15			10	3352	140	62	2.40								GK97R57	4P	13	2833	112.41	62	2.70	GKF107							GKF97R57						GKA97R57	4P	14	2539	100.75	62		3.00	GKA107						GKAF97R57						GK127								GKF127							GKA127	8P	16	2292		90.96	62	3.30	GKAF107						GKAF127						GK127									GKF127							GKA127							GKAF127							GK127	6P	17	2082	82.61	62	3.60								GKF127						GKA127							GKAF127								GK127							GKF127							GKA127							GKAF127							GK127								GKF127							GKA127							GKAF127							GK127							GKF127							GKA127							GKAF127							GK127							GKF127							GKA127							GKAF127							GK127							GKF127							GKA127							GKAF127							GK127							GKF127							GKA127							GKAF127							GK127							GKF127							GKA127							GKAF127							GK127							GKF127							GKA127							GKAF127							GK127							GKF127							GKA127							GKAF127							GK127							GKF127							GKA127							GKAF127							GK127							GKF127							GKA127							GKAF127							GK127							GKF127							GKA127							GKAF127							GK127							GKF127							GKA127							GKAF127							GK127							GKF127							GKA127							GKAF127							GK127							GKF127							GKA127							GKAF127							GK127							GKF127							GKA127							GKAF127							GK127							GKF127							GKA127							GKAF127							GK127							GKF127							GKA127							GKAF127							GK127							GKF127							GKA127							GKAF127							GK127							GKF127							GKA127							GKAF127							GK127							GKF127							GKA127							GKAF127							GK127							GKF127							GKA127							GKAF127							GK127							GKF127							GKA127							GKAF127							GK127							GKF127							GKA127							GKAF127							GK127							GKF127							GKA127							GKAF127							GK127							GKF127							GKA127							GKAF127							GK127							GKF127							GKA127							GKAF127							GK127							GKF127							GKA127							GKAF127							GK127							GKF127							GKA127							GKAF127							GK127							GKF127							GKA127							GKAF127							GK127							GKF127							GKA127							GKAF127							GK127							GKF127							GKA127							GKAF127							GK127							GKF127							GKA127							GKAF127							GK127							GKF127							GKA127							GKAF127							GK127							GKF127							GKA127							GKAF127							GK127							GKF127							GKA127							GKAF127							GK127							GKF127							GKA127							GKAF127							GK127							GKF127							GKA127							GKAF127							GK127							GKF127							GKA127							GKAF127							GK127							GKF127							GKA127							GKAF127							GK127							GKF127							GKA127							GKAF127							GK127							GKF127							GKA127							GKAF127							GK127							GKF127							GKA127							GKAF127							GK127							GKF127							GKA127							GKAF127							GK127							GKF127							GKA127							GKAF127							GK127							GKF127							GKA127							GKAF127							GK127							GKF127							GKA127							GKAF127							GK127							GKF127							GKA127							GKAF127							GK127							GKF127							GKA127							GKAF127							GK127							GKF127							GKA127							GKAF127							GK127							GKF127							GKA127							GKAF127							GK127							GKF127							GKA127							GKAF127							GK127							GKF127																																																																																																																																																																				
2.7	12952	541	75	1.00					3.0	11420	477	76		1.15	GK127R87		3.4	10127	423	77	1.30	GKF127R87		3.9	8834	369	77	1.45	GKA127R87	4P	11	3438	90.96	62	2.20	GKAF107		4.3	7972	333	77	1.65	GKAF127R87	5.0	6919	289	78	1.90			5.7	6081	254	78	2.15			2.4		14484	605	72	0.90	GK127R77		2.6	13120	548	75	1.00	GKF127R77	4P	10	3616	143.47	62	2.10			3.0	11324	473	76	1.15	GKA127R77	3.5	9816	410	76	1.30	GKAF127R77		4.0	8715	364	62	0.90			4.5		7613	318	62	1.05			5.0	6847	286	62	1.15	GK107R77		5.7	6009	251	62	1.35	GKF107R77	4P	12	3061	121.46	62	2.50	GK107		6.5	5315	222	62	1.50	GKA107R77	7.3	4692	196	62	1.70	GKAF107R77		8.3	4166	174	62	1.90			9.4	3687	154		62	2.15			10	3352	140	62	2.40								GK97R57	4P	13	2833	112.41	62	2.70	GKF107							GKF97R57						GKA97R57	4P	14	2539	100.75	62	3.00	GKA107								GKAF97R57						GK127							GKF127								GKA127	8P	16	2292	90.96	62	3.30		GKAF107						GKAF127						GK127							GKF127								GKA127							GKAF127							GK127	6P	17	2082	82.61	62	3.60								GKF127						GKA127							GKAF127							GK127								GKF127							GKA127							GKAF127							GK127							GKF127							GKA127							GKAF127							GK127							GKF127							GKA127							GKAF127							GK127							GKF127							GKA127							GKAF127							GK127							GKF127							GKA127							GKAF127							GK127							GKF127							GKA127							GKAF127							GK127							GKF127							GKA127							GKAF127							GK127							GKF127							GKA127							GKAF127							GK127							GKF127							GKA127							GKAF127							GK127							GKF127							GKA127							GKAF127							GK127							GKF127							GKA127							GKAF127							GK127							GKF127							GKA127							GKAF127							GK127							GKF127							GKA127							GKAF127							GK127							GKF127							GKA127							GKAF127							GK127							GKF127							GKA127							GKAF127							GK127							GKF127							GKA127							GKAF127							GK127							GKF127							GKA127							GKAF127							GK127							GKF127							GKA127							GKAF127							GK127							GKF127							GKA127							GKAF127							GK127							GKF127							GKA127							GKAF127							GK127							GKF127							GKA127							GKAF127							GK127							GKF127							GKA127							GKAF127							GK127							GKF127							GKA127							GKAF127							GK127							GKF127							GKA127							GKAF127							GK127							GKF127							GKA127							GKAF127							GK127							GKF127							GKA127							GKAF127							GK127							GKF127							GKA127							GKAF127							GK127							GKF127							GKA127							GKAF127							GK127							GKF127							GKA127							GKAF127							GK127							GKF127							GKA127							GKAF127							GK127							GKF127							GKA127							GKAF127							GK127							GKF127							GKA127							GKAF127							GK127							GKF127							GKA127							GKAF127							GK127							GKF127							GKA127							GKAF127							GK127							GKF127							GKA127							GKAF127							GK127							GKF127							GKA127							GKAF127							GK127							GKF127							GKA127							GKAF127							GK127							GKF127							GKA127							GKAF127							GK127							GKF127							GKA127							GKAF127							GK127							GKF127							GKA127							GKAF127							GK127							GKF127							GKA127							GKAF127							GK127							GKF127							GKA127							GKAF127							GK127							GKF127							GKA127							GKAF127							GK127							GKF127							GKA127							GKAF127							GK127							GKF127							GKA127							GKAF127							GK127							GKF127							GKA127							GKAF127							GK127							GKF127							GKA127							GKAF127							GK127							GKF127							GKA127							GKAF127							GK127							GKF127							GKA127							GKAF127							GK127							GKF127							GKA127							GKAF127							GK127							GKF127							GKA127							GKAF127							GK127							GKF127							GKA127							GKAF127							GK127							GKF127																																																																																																																																																																												
3.0	11420	477	76	1.15	GK127R87																																																																																																																																																																																																																																																																																																																																																																																																																																																																																																																																																																																																																																																																																																																																																																																																																																																																																																																																																																																																																																																																																																																																																																																																																																																																																																																																																																																																																																																																																																																																																																																																																																																																																																																																																																																																																																																																																																																																																																																																																			
3.4	10127	423	77	1.30	GKF127R87			3.9	8834	369	77	1.45		GKA127R87	4P	11	3438	90.96	62	2.20	GKAF107	4.3	7972	333	77	1.65	GKAF127R87	5.0	6919		289	78	1.90			5.7		6081	254	78	2.15			2.4	14484	605	72	0.90	GK127R77		2.6	13120	548	75	1.00	GKF127R77	4P	10		3616	143.47	62	2.10		3.0	11324	473	76	1.15	GKA127R77	3.5		9816	410	76	1.30	GKAF127R77			4.0	8715	364	62	0.90			4.5	7613	318	62	1.05			5.0	6847	286	62	1.15	GK107R77			5.7	6009	251	62	1.35	GKF107R77	4P	12	3061	121.46	62	2.50	GK107	6.5	5315	222	62	1.50	GKA107R77		7.3	4692	196	62	1.70	GKAF107R77			8.3	4166	174	62	1.90			9.4	3687	154	62	2.15			10	3352	140	62	2.40									GK97R57	4P	13	2833	112.41	62	2.70	GKF107							GKF97R57							GKA97R57	4P	14	2539	100.75	62	3.00	GKA107							GKAF97R57							GK127								GKF127							GKA127	8P	16	2292	90.96	62	3.30		GKAF107							GKAF127							GK127							GKF127							GKA127							GKAF127								GK127	6P	17	2082	82.61	62	3.60								GKF127							GKA127							GKAF127							GK127							GKF127								GKA127							GKAF127							GK127							GKF127							GKA127							GKAF127							GK127							GKF127							GKA127							GKAF127							GK127							GKF127							GKA127							GKAF127							GK127							GKF127							GKA127							GKAF127							GK127							GKF127							GKA127							GKAF127							GK127							GKF127							GKA127							GKAF127							GK127							GKF127							GKA127							GKAF127							GK127							GKF127							GKA127							GKAF127							GK127							GKF127							GKA127							GKAF127							GK127							GKF127							GKA127							GKAF127							GK127							GKF127							GKA127							GKAF127							GK127							GKF127							GKA127							GKAF127							GK127							GKF127							GKA127							GKAF127							GK127							GKF127							GKA127							GKAF127							GK127							GKF127							GKA127							GKAF127							GK127							GKF127							GKA127							GKAF127							GK127							GKF127							GKA127							GKAF127							GK127							GKF127							GKA127							GKAF127							GK127							GKF127							GKA127							GKAF127							GK127							GKF127							GKA127							GKAF127							GK127							GKF127							GKA127							GKAF127							GK127							GKF127							GKA127							GKAF127							GK127							GKF127							GKA127							GKAF127							GK127							GKF127							GKA127							GKAF127							GK127							GKF127							GKA127							GKAF127							GK127							GKF127							GKA127							GKAF127							GK127							GKF127							GKA127							GKAF127							GK127							GKF127							GKA127							GKAF127							GK127							GKF127							GKA127							GKAF127							GK127							GKF127							GKA127							GKAF127							GK127							GKF127							GKA127							GKAF127							GK127							GKF127							GKA127							GKAF127							GK127							GKF127							GKA127							GKAF127							GK127							GKF127							GKA127							GKAF127							GK127							GKF127							GKA127							GKAF127							GK127							GKF127							GKA127							GKAF127							GK127							GKF127							GKA127							GKAF127							GK127							GKF127							GKA127							GKAF127							GK127							GKF127							GKA127							GKAF127							GK127							GKF127							GKA127							GKAF127							GK127							GKF127							GKA127							GKAF127							GK127							GKF127							GKA127							GKAF127							GK127							GKF127							GKA127							GKAF127							GK127							GKF127							GKA127							GKAF127							GK127							GKF127							GKA127							GKAF127							GK127							GKF127							GKA127							GKAF127							GK127							GKF127							GKA127							GKAF127							GK127							GKF127							GKA127							GKAF127							GK127							GKF127							GKA127							GKAF127							GK127							GKF127							GKA127							GKAF127							GK127							GKF127							GKA127							GKAF127							GK127							GKF127																																																																																																																																																																																				
3.9	8834	369	77	1.45	GKA127R87	4P		11	3438	90.96	62	2.20	GKAF107																																																																																																																																																																																																																																																																																																																																																																																																																																																																																																																																																																																																																																																																																																																																																																																																																																																																																																																																																																																																																																																																																																																																																																																																																																																																																																																																																																																																																																																																																																																																																																																																																																																																																																																																																																																																																																																																																																																																																																																																											
4.3	7972	333	77	1.65	GKAF127R87		5.0	6919	289	78	1.90			5.7		6081	254	78	2.15			2.4	14484	605	72	0.90	GK127R77		2.6		13120	548	75	1.00	GKF127R77	4P		10	3616	143.47	62	2.10		3.0	11324	473	76	1.15	GKA127R77	3.5	9816	410	76	1.30	GKAF127R77			4.0	8715	364	62	0.90			4.5	7613	318	62	1.05				5.0	6847	286	62	1.15	GK107R77			5.7	6009	251	62	1.35	GKF107R77	4P	12	3061	121.46	62	2.50	GK107	6.5	5315	222	62	1.50	GKA107R77	7.3	4692	196	62	1.70	GKAF107R77		8.3		4166	174	62	1.90			9.4	3687	154	62	2.15				10	3352	140	62	2.40									GK97R57	4P	13	2833	112.41	62	2.70	GKF107						GKF97R57						GKA97R57	4P	14		2539	100.75	62	3.00	GKA107						GKAF97R57							GK127									GKF127								GKA127	8P	16	2292		90.96	62	3.30	GKAF107						GKAF127						GK127								GKF127								GKA127								GKAF127							GK127	6P	17	2082	82.61	62	3.60							GKF127						GKA127								GKAF127								GK127								GKF127							GKA127							GKAF127							GK127							GKF127							GKA127							GKAF127							GK127							GKF127							GKA127							GKAF127							GK127							GKF127							GKA127							GKAF127							GK127							GKF127							GKA127							GKAF127							GK127							GKF127							GKA127							GKAF127							GK127							GKF127							GKA127							GKAF127							GK127							GKF127							GKA127							GKAF127							GK127							GKF127							GKA127							GKAF127							GK127							GKF127							GKA127							GKAF127							GK127							GKF127							GKA127							GKAF127							GK127							GKF127							GKA127							GKAF127							GK127							GKF127							GKA127							GKAF127							GK127							GKF127							GKA127							GKAF127							GK127							GKF127							GKA127							GKAF127							GK127							GKF127							GKA127							GKAF127							GK127							GKF127							GKA127							GKAF127							GK127							GKF127							GKA127							GKAF127							GK127							GKF127							GKA127							GKAF127							GK127							GKF127							GKA127							GKAF127							GK127							GKF127							GKA127							GKAF127							GK127							GKF127							GKA127							GKAF127							GK127							GKF127							GKA127							GKAF127							GK127							GKF127							GKA127							GKAF127							GK127							GKF127							GKA127							GKAF127							GK127							GKF127							GKA127							GKAF127							GK127							GKF127							GKA127							GKAF127							GK127							GKF127							GKA127							GKAF127							GK127							GKF127							GKA127							GKAF127							GK127							GKF127							GKA127							GKAF127							GK127							GKF127							GKA127							GKAF127							GK127							GKF127							GKA127							GKAF127							GK127							GKF127							GKA127							GKAF127							GK127							GKF127							GKA127							GKAF127							GK127							GKF127							GKA127							GKAF127							GK127							GKF127							GKA127							GKAF127							GK127							GKF127							GKA127							GKAF127							GK127							GKF127							GKA127							GKAF127							GK127							GKF127							GKA127							GKAF127							GK127							GKF127							GKA127							GKAF127							GK127							GKF127							GKA127							GKAF127							GK127							GKF127							GKA127							GKAF127							GK127							GKF127							GKA127							GKAF127							GK127							GKF127							GKA127							GKAF127							GK127							GKF127							GKA127							GKAF127							GK127							GKF127							GKA127							GKAF127							GK127							GKF127							GKA127							GKAF127							GK127							GKF127							GKA127							GKAF127							GK127							GKF127							GKA127							GKAF127							GK127							GKF127							GKA127							GKAF127							GK127							GKF127							GKA127							GKAF127							GK127							GKF127							GKA127							GKAF127							GK127							GKF127																																																																																																																																																																																																									
5.0	6919	289	78	1.90				5.7	6081	254	78	2.15				2.4	14484	605	72	0.90	GK127R77		2.6	13120	548	75	1.00	GKF127R77	4P		10	3616	143.47	62	2.10			3.0	11324	473	76	1.15	GKA127R77	3.5	9816	410	76	1.30	GKAF127R77		4.0	8715	364	62	0.90				4.5	7613	318	62	1.05			5.0	6847	286	62	1.15	GK107R77			5.7	6009	251	62	1.35	GKF107R77	4P	12	3061	121.46	62	2.50	GK107		6.5	5315	222	62	1.50	GKA107R77	7.3	4692	196	62	1.70	GKAF107R77		8.3	4166	174	62	1.90				9.4	3687	154	62	2.15			10	3352	140	62	2.40									GK97R57	4P	13	2833	112.41	62	2.70	GKF107							GKF97R57						GKA97R57	4P	14	2539	100.75	62	3.00		GKA107							GKAF97R57							GK127							GKF127								GKA127	8P	16	2292		90.96	62	3.30		GKAF107						GKAF127						GK127							GKF127								GKA127								GKAF127							GK127	6P	17	2082	82.61	62	3.60								GKF127						GKA127							GKAF127								GK127								GKF127							GKA127							GKAF127							GK127							GKF127							GKA127							GKAF127							GK127							GKF127							GKA127							GKAF127							GK127							GKF127							GKA127							GKAF127							GK127							GKF127							GKA127							GKAF127							GK127							GKF127							GKA127							GKAF127							GK127							GKF127							GKA127							GKAF127							GK127							GKF127							GKA127							GKAF127							GK127							GKF127							GKA127							GKAF127							GK127							GKF127							GKA127							GKAF127							GK127							GKF127							GKA127							GKAF127							GK127							GKF127							GKA127							GKAF127							GK127							GKF127							GKA127							GKAF127							GK127							GKF127							GKA127							GKAF127							GK127							GKF127							GKA127							GKAF127							GK127							GKF127							GKA127							GKAF127							GK127							GKF127							GKA127							GKAF127							GK127							GKF127							GKA127							GKAF127							GK127							GKF127							GKA127							GKAF127							GK127							GKF127							GKA127							GKAF127							GK127							GKF127							GKA127							GKAF127							GK127							GKF127							GKA127							GKAF127							GK127							GKF127							GKA127							GKAF127							GK127							GKF127							GKA127							GKAF127							GK127							GKF127							GKA127							GKAF127							GK127							GKF127							GKA127							GKAF127							GK127							GKF127							GKA127							GKAF127							GK127							GKF127							GKA127							GKAF127							GK127							GKF127							GKA127							GKAF127							GK127							GKF127							GKA127							GKAF127							GK127							GKF127							GKA127							GKAF127							GK127							GKF127							GKA127							GKAF127							GK127							GKF127							GKA127							GKAF127							GK127							GKF127							GKA127							GKAF127							GK127							GKF127							GKA127							GKAF127							GK127							GKF127							GKA127							GKAF127							GK127							GKF127							GKA127							GKAF127							GK127							GKF127							GKA127							GKAF127							GK127							GKF127							GKA127							GKAF127							GK127							GKF127							GKA127							GKAF127							GK127							GKF127							GKA127							GKAF127							GK127							GKF127							GKA127							GKAF127							GK127							GKF127							GKA127							GKAF127							GK127							GKF127							GKA127							GKAF127							GK127							GKF127							GKA127							GKAF127							GK127							GKF127							GKA127							GKAF127							GK127							GKF127							GKA127							GKAF127							GK127							GKF127							GKA127							GKAF127							GK127							GKF127							GKA127							GKAF127							GK127							GKF127							GKA127							GKAF127							GK127							GKF127							GKA127							GKAF127							GK127							GKF127							GKA127							GKAF127							GK127							GKF127																																																																																																																																																																																																																
5.7	6081	254	78	2.15				2.4	14484	605	72	0.90	GK127R77			2.6	13120	548	75	1.00	GKF127R77	4P	10	3616	143.47	62	2.10			3.0	11324	473	76	1.15	GKA127R77		3.5	9816	410	76	1.30	GKAF127R77		4.0	8715	364	62	0.90			4.5	7613	318	62	1.05				5.0	6847	286	62	1.15	GK107R77		5.7	6009	251	62	1.35	GKF107R77	4P	12	3061	121.46	62	2.50	GK107	6.5		5315	222	62	1.50	GKA107R77	7.3		4692	196	62	1.70	GKAF107R77		8.3	4166	174	62	1.90			9.4	3687	154	62	2.15				10	3352	140	62	2.40								GK97R57	4P	13	2833	112.41	62	2.70	GKF107							GKF97R57							GKA97R57	4P	14	2539	100.75	62	3.00	GKA107								GKAF97R57							GK127							GKF127							GKA127		8P	16	2292	90.96	62	3.30	GKAF107							GKAF127							GK127							GKF127							GKA127								GKAF127							GK127	6P	17	2082	82.61	62	3.60								GKF127							GKA127							GKAF127							GK127								GKF127							GKA127							GKAF127							GK127							GKF127							GKA127							GKAF127							GK127							GKF127							GKA127							GKAF127							GK127							GKF127							GKA127							GKAF127							GK127							GKF127							GKA127							GKAF127							GK127							GKF127							GKA127							GKAF127							GK127							GKF127							GKA127							GKAF127							GK127							GKF127							GKA127							GKAF127							GK127							GKF127							GKA127							GKAF127							GK127							GKF127							GKA127							GKAF127							GK127							GKF127							GKA127							GKAF127							GK127							GKF127							GKA127							GKAF127							GK127							GKF127							GKA127							GKAF127							GK127							GKF127							GKA127							GKAF127							GK127							GKF127							GKA127							GKAF127							GK127							GKF127							GKA127							GKAF127							GK127							GKF127							GKA127							GKAF127							GK127							GKF127							GKA127							GKAF127							GK127							GKF127							GKA127							GKAF127							GK127							GKF127							GKA127							GKAF127							GK127							GKF127							GKA127							GKAF127							GK127							GKF127							GKA127							GKAF127							GK127							GKF127							GKA127							GKAF127							GK127							GKF127							GKA127							GKAF127							GK127							GKF127							GKA127							GKAF127							GK127							GKF127							GKA127							GKAF127							GK127							GKF127							GKA127							GKAF127							GK127							GKF127							GKA127							GKAF127							GK127							GKF127							GKA127							GKAF127							GK127							GKF127							GKA127							GKAF127							GK127							GKF127							GKA127							GKAF127							GK127							GKF127							GKA127							GKAF127							GK127							GKF127							GKA127							GKAF127							GK127							GKF127							GKA127							GKAF127							GK127							GKF127							GKA127							GKAF127							GK127							GKF127							GKA127							GKAF127							GK127							GKF127							GKA127							GKAF127							GK127							GKF127							GKA127							GKAF127							GK127							GKF127							GKA127							GKAF127							GK127							GKF127							GKA127							GKAF127							GK127							GKF127							GKA127							GKAF127							GK127							GKF127							GKA127							GKAF127							GK127							GKF127							GKA127							GKAF127							GK127							GKF127							GKA127							GKAF127							GK127							GKF127							GKA127							GKAF127							GK127							GKF127							GKA127							GKAF127							GK127							GKF127							GKA127							GKAF127							GK127							GKF127							GKA127							GKAF127							GK127							GKF127							GKA127							GKAF127							GK127							GKF127							GKA127							GKAF127							GK127							GKF127							GKA127							GKAF127							GK127							GKF127							GKA127							GKAF127							GK127							GKF127																																																																																																																																																																																																																								
2.4	14484	605	72	0.90	GK127R77			2.6	13120	548	75	1.00	GKF127R77	4P		10	3616	143.47	62	2.10			3.0	11324	473	76	1.15	GKA127R77		3.5	9816	410	76	1.30	GKAF127R77			4.0	8715	364	62	0.90			4.5	7613	318	62	1.05			5.0	6847	286	62	1.15		GK107R77		5.7	6009	251	62	1.35	GKF107R77	4P	12	3061	121.46	62	2.50		GK107	6.5	5315	222	62	1.50	GKA107R77		7.3	4692	196	62	1.70	GKAF107R77			8.3	4166	174	62	1.90			9.4	3687	154	62	2.15			10	3352	140	62	2.40									GK97R57	4P	13	2833	112.41	62		2.70	GKF107							GKF97R57							GKA97R57	4P	14	2539	100.75		62	3.00	GKA107							GKAF97R57								GK127							GKF127							GKA127	8P	16	2292			90.96	62	3.30	GKAF107							GKAF127							GK127							GKF127							GKA127								GKAF127							GK127	6P	17		2082	82.61	62	3.60								GKF127							GKA127							GKAF127							GK127								GKF127							GKA127							GKAF127							GK127							GKF127							GKA127							GKAF127							GK127							GKF127							GKA127							GKAF127							GK127							GKF127							GKA127							GKAF127							GK127							GKF127							GKA127							GKAF127							GK127							GKF127							GKA127							GKAF127							GK127							GKF127							GKA127							GKAF127							GK127							GKF127							GKA127							GKAF127							GK127							GKF127							GKA127							GKAF127							GK127							GKF127							GKA127							GKAF127							GK127							GKF127							GKA127							GKAF127							GK127							GKF127							GKA127							GKAF127							GK127							GKF127							GKA127							GKAF127							GK127							GKF127							GKA127							GKAF127							GK127							GKF127							GKA127							GKAF127							GK127							GKF127							GKA127							GKAF127							GK127							GKF127							GKA127							GKAF127							GK127							GKF127							GKA127							GKAF127							GK127							GKF127							GKA127							GKAF127							GK127							GKF127							GKA127							GKAF127							GK127							GKF127							GKA127							GKAF127							GK127							GKF127							GKA127							GKAF127							GK127							GKF127							GKA127							GKAF127							GK127							GKF127							GKA127							GKAF127							GK127							GKF127							GKA127							GKAF127							GK127							GKF127							GKA127							GKAF127							GK127							GKF127							GKA127							GKAF127							GK127							GKF127							GKA127							GKAF127							GK127							GKF127							GKA127							GKAF127							GK127							GKF127							GKA127							GKAF127							GK127							GKF127							GKA127							GKAF127							GK127							GKF127							GKA127							GKAF127							GK127							GKF127							GKA127							GKAF127							GK127							GKF127							GKA127							GKAF127							GK127							GKF127							GKA127							GKAF127							GK127							GKF127							GKA127							GKAF127							GK127							GKF127							GKA127							GKAF127							GK127							GKF127							GKA127							GKAF127							GK127							GKF127							GKA127							GKAF127							GK127							GKF127							GKA127							GKAF127							GK127							GKF127							GKA127							GKAF127							GK127							GKF127							GKA127							GKAF127							GK127							GKF127							GKA127							GKAF127							GK127							GKF127							GKA127							GKAF127							GK127							GKF127							GKA127							GKAF127							GK127							GKF127							GKA127							GKAF127							GK127							GKF127							GKA127							GKAF127							GK127							GKF127							GKA127							GKAF127							GK127							GKF127							GKA127							GKAF127							GK127							GKF127							GKA127							GKAF127							GK127							GKF127							GKA127							GKAF127							GK127							GKF127							GKA127							GKAF127							GK127							GKF127																																																																																																																																																																																																																									
2.6	13120	548	75	1.00	GKF127R77		4P	10	3616	143.47	62	2.10																																																																																																																																																																																																																																																																																																																																																																																																																																																																																																																																																																																																																																																																																																																																																																																																																																																																																																																																																																																																																																																																																																																																																																																																																																																																																																																																																																																																																																																																																																																																																																																																																																																																																																																																																																																																																																																																																																																																																																																																												
3.0	11324	473	76	1.15	GKA127R77	3.5		9816	410	76	1.30	GKAF127R77			4.0	8715	364	62	0.90				4.5	7613	318	62	1.05				5.0	6847	286	62	1.15		GK107R77		5.7	6009	251	62	1.35	GKF107R77	4P	12	3061	121.46	62	2.50	GK107	6.5	5315	222	62	1.50	GKA107R77	7.3	4692	196	62	1.70	GKAF107R77		8.3		4166	174	62	1.90				9.4	3687	154	62	2.15				10	3352	140	62	2.40									GK97R57	4P	13	2833	112.41	62	2.70	GKF107						GKF97R57						GKA97R57	4P	14		2539	100.75	62	3.00		GKA107						GKAF97R57							GK127										GKF127								GKA127	8P		16	2292	90.96	62	3.30	GKAF107						GKAF127						GK127									GKF127								GKA127								GKAF127							GK127	6P	17	2082	82.61	62	3.60							GKF127						GKA127									GKAF127								GK127								GKF127							GKA127							GKAF127							GK127							GKF127							GKA127							GKAF127							GK127							GKF127							GKA127							GKAF127							GK127							GKF127							GKA127							GKAF127							GK127							GKF127							GKA127							GKAF127							GK127							GKF127							GKA127							GKAF127							GK127							GKF127							GKA127							GKAF127							GK127							GKF127							GKA127							GKAF127							GK127							GKF127							GKA127							GKAF127							GK127							GKF127							GKA127							GKAF127							GK127							GKF127							GKA127							GKAF127							GK127							GKF127							GKA127							GKAF127							GK127							GKF127							GKA127							GKAF127							GK127							GKF127							GKA127							GKAF127							GK127							GKF127							GKA127							GKAF127							GK127							GKF127							GKA127							GKAF127							GK127							GKF127							GKA127							GKAF127							GK127							GKF127							GKA127							GKAF127							GK127							GKF127							GKA127							GKAF127							GK127							GKF127							GKA127							GKAF127							GK127							GKF127							GKA127							GKAF127							GK127							GKF127							GKA127							GKAF127							GK127							GKF127							GKA127							GKAF127							GK127							GKF127							GKA127							GKAF127							GK127							GKF127							GKA127							GKAF127							GK127							GKF127							GKA127							GKAF127							GK127							GKF127							GKA127							GKAF127							GK127							GKF127							GKA127							GKAF127							GK127							GKF127							GKA127							GKAF127							GK127							GKF127							GKA127							GKAF127							GK127							GKF127							GKA127							GKAF127							GK127							GKF127							GKA127							GKAF127							GK127							GKF127							GKA127							GKAF127							GK127							GKF127							GKA127							GKAF127							GK127							GKF127							GKA127							GKAF127							GK127							GKF127							GKA127							GKAF127							GK127							GKF127							GKA127							GKAF127							GK127							GKF127							GKA127							GKAF127							GK127							GKF127							GKA127							GKAF127							GK127							GKF127							GKA127							GKAF127							GK127							GKF127							GKA127							GKAF127							GK127							GKF127							GKA127							GKAF127							GK127							GKF127							GKA127							GKAF127							GK127							GKF127							GKA127							GKAF127							GK127							GKF127							GKA127							GKAF127							GK127							GKF127							GKA127							GKAF127							GK127							GKF127							GKA127							GKAF127							GK127							GKF127							GKA127							GKAF127							GK127							GKF127							GKA127							GKAF127							GK127							GKF127							GKA127							GKAF127							GK127							GKF127							GKA127							GKAF127							GK127							GKF127							GKA127							GKAF127							GK127							GKF127																																																																																																																																																																																																																																														
3.5	9816	410	76	1.30	GKAF127R77			4.0	8715	364	62	0.90				4.5	7613	318	62	1.05				5.0	6847	286	62	1.15		GK107R77		5.7	6009	251	62	1.35	GKF107R77	4P	12	3061	121.46	62	2.50	GK107		6.5	5315	222	62	1.50	GKA107R77	7.3	4692	196	62	1.70	GKAF107R77		8.3	4166	174	62	1.90				9.4	3687	154	62	2.15				10	3352	140	62	2.40									GK97R57	4P	13	2833	112.41	62	2.70	GKF107							GKF97R57						GKA97R57	4P	14	2539	100.75	62	3.00		GKA107								GKAF97R57							GK127							GKF127									GKA127	8P	16		2292	90.96	62	3.30		GKAF107						GKAF127						GK127							GKF127									GKA127								GKAF127							GK127	6P	17	2082	82.61	62	3.60								GKF127						GKA127							GKAF127									GK127								GKF127							GKA127							GKAF127							GK127							GKF127							GKA127							GKAF127							GK127							GKF127							GKA127							GKAF127							GK127							GKF127							GKA127							GKAF127							GK127							GKF127							GKA127							GKAF127							GK127							GKF127							GKA127							GKAF127							GK127							GKF127							GKA127							GKAF127							GK127							GKF127							GKA127							GKAF127							GK127							GKF127							GKA127							GKAF127							GK127							GKF127							GKA127							GKAF127							GK127							GKF127							GKA127							GKAF127							GK127							GKF127							GKA127							GKAF127							GK127							GKF127							GKA127							GKAF127							GK127							GKF127							GKA127							GKAF127							GK127							GKF127							GKA127							GKAF127							GK127							GKF127							GKA127							GKAF127							GK127							GKF127							GKA127							GKAF127							GK127							GKF127							GKA127							GKAF127							GK127							GKF127							GKA127							GKAF127							GK127							GKF127							GKA127							GKAF127							GK127							GKF127							GKA127							GKAF127							GK127							GKF127							GKA127							GKAF127							GK127							GKF127							GKA127							GKAF127							GK127							GKF127							GKA127							GKAF127							GK127							GKF127							GKA127							GKAF127							GK127							GKF127							GKA127							GKAF127							GK127							GKF127							GKA127							GKAF127							GK127							GKF127							GKA127							GKAF127							GK127							GKF127							GKA127							GKAF127							GK127							GKF127							GKA127							GKAF127							GK127							GKF127							GKA127							GKAF127							GK127							GKF127							GKA127							GKAF127							GK127							GKF127							GKA127							GKAF127							GK127							GKF127							GKA127							GKAF127							GK127							GKF127							GKA127							GKAF127							GK127							GKF127							GKA127							GKAF127							GK127							GKF127							GKA127							GKAF127							GK127							GKF127							GKA127							GKAF127							GK127							GKF127							GKA127							GKAF127							GK127							GKF127							GKA127							GKAF127							GK127							GKF127							GKA127							GKAF127							GK127							GKF127							GKA127							GKAF127							GK127							GKF127							GKA127							GKAF127							GK127							GKF127							GKA127							GKAF127							GK127							GKF127							GKA127							GKAF127							GK127							GKF127							GKA127							GKAF127							GK127							GKF127							GKA127							GKAF127							GK127							GKF127							GKA127							GKAF127							GK127							GKF127							GKA127							GKAF127							GK127							GKF127							GKA127							GKAF127							GK127							GKF127							GKA127							GKAF127							GK127							GKF127							GKA127							GKAF127							GK127							GKF127																																																																																																																																																																																																																																																					
4.0	8715	364	62	0.90				4.5	7613	318	62	1.05				5.0	6847	286	62	1.15	GK107R77			5.7	6009	251	62	1.35	GKF107R77	4P	12	3061	121.46	62	2.50	GK107	6.5		5315	222	62	1.50	GKA107R77	7.3		4692	196	62	1.70	GKAF107R77		8.3	4166	174	62	1.90			9.4	3687	154	62	2.15				10	3352	140	62	2.40									GK97R57	4P	13	2833	112.41	62	2.70	GKF107							GKF97R57							GKA97R57	4P	14	2539	100.75	62	3.00	GKA107								GKAF97R57								GK127							GKF127							GKA127		8P	16	2292		90.96	62	3.30	GKAF107							GKAF127							GK127							GKF127							GKA127									GKAF127							GK127	6P	17	2082	82.61	62	3.60								GKF127							GKA127							GKAF127							GK127									GKF127							GKA127							GKAF127							GK127							GKF127							GKA127							GKAF127							GK127							GKF127							GKA127							GKAF127							GK127							GKF127							GKA127							GKAF127							GK127							GKF127							GKA127							GKAF127							GK127							GKF127							GKA127							GKAF127							GK127							GKF127							GKA127							GKAF127							GK127							GKF127							GKA127							GKAF127							GK127							GKF127							GKA127							GKAF127							GK127							GKF127							GKA127							GKAF127							GK127							GKF127							GKA127							GKAF127							GK127							GKF127							GKA127							GKAF127							GK127							GKF127							GKA127							GKAF127							GK127							GKF127							GKA127							GKAF127							GK127							GKF127							GKA127							GKAF127							GK127							GKF127							GKA127							GKAF127							GK127							GKF127							GKA127							GKAF127							GK127							GKF127							GKA127							GKAF127							GK127							GKF127							GKA127							GKAF127							GK127							GKF127							GKA127							GKAF127							GK127							GKF127							GKA127							GKAF127							GK127							GKF127							GKA127							GKAF127							GK127							GKF127							GKA127							GKAF127							GK127							GKF127							GKA127							GKAF127							GK127							GKF127							GKA127							GKAF127							GK127							GKF127							GKA127							GKAF127							GK127							GKF127							GKA127							GKAF127							GK127							GKF127							GKA127							GKAF127							GK127							GKF127							GKA127							GKAF127							GK127							GKF127							GKA127							GKAF127							GK127							GKF127							GKA127							GKAF127							GK127							GKF127							GKA127							GKAF127							GK127							GKF127							GKA127							GKAF127							GK127							GKF127							GKA127							GKAF127							GK127							GKF127							GKA127							GKAF127							GK127							GKF127							GKA127							GKAF127							GK127							GKF127							GKA127							GKAF127							GK127							GKF127							GKA127							GKAF127							GK127							GKF127							GKA127							GKAF127							GK127							GKF127							GKA127							GKAF127							GK127							GKF127							GKA127							GKAF127							GK127							GKF127							GKA127							GKAF127							GK127							GKF127							GKA127							GKAF127							GK127							GKF127							GKA127							GKAF127							GK127							GKF127							GKA127							GKAF127							GK127							GKF127							GKA127							GKAF127							GK127							GKF127							GKA127							GKAF127							GK127							GKF127							GKA127							GKAF127							GK127							GKF127							GKA127							GKAF127							GK127							GKF127							GKA127							GKAF127							GK127							GKF127							GKA127							GKAF127							GK127							GKF127							GKA127							GKAF127							GK127							GKF127																																																																																																																																																																																																																																																													
4.5	7613	318	62	1.05				5.0	6847	286	62	1.15	GK107R77			5.7	6009	251	62	1.35	GKF107R77	4P	12	3061	121.46	62	2.50	GK107	6.5		5315	222	62	1.50	GKA107R77	7.3	4692		196	62	1.70	GKAF107R77		8.3		4166	174	62	1.90			9.4	3687	154	62	2.15			10	3352	140	62	2.40									GK97R57	4P	13	2833	112.41	62	2.70	GKF107							GKF97R57							GKA97R57	4P	14		2539	100.75	62	3.00	GKA107							GKAF97R57								GK127								GKF127							GKA127	8P	16	2292	90.96	62	3.30	GKAF107								GKAF127							GK127								GKF127							GKA127							GKAF127								GK127	6P	17	2082	82.61	62	3.60								GKF127							GKA127								GKAF127							GK127							GKF127								GKA127							GKAF127							GK127							GKF127							GKA127							GKAF127							GK127							GKF127							GKA127							GKAF127							GK127							GKF127							GKA127							GKAF127							GK127							GKF127							GKA127							GKAF127							GK127							GKF127							GKA127							GKAF127							GK127							GKF127							GKA127							GKAF127							GK127							GKF127							GKA127							GKAF127							GK127							GKF127							GKA127							GKAF127							GK127							GKF127							GKA127							GKAF127							GK127							GKF127							GKA127							GKAF127							GK127							GKF127							GKA127							GKAF127							GK127							GKF127							GKA127							GKAF127							GK127							GKF127							GKA127							GKAF127							GK127							GKF127							GKA127							GKAF127							GK127							GKF127							GKA127							GKAF127							GK127							GKF127							GKA127							GKAF127							GK127							GKF127							GKA127							GKAF127							GK127							GKF127							GKA127							GKAF127							GK127							GKF127							GKA127							GKAF127							GK127							GKF127							GKA127							GKAF127							GK127							GKF127							GKA127							GKAF127							GK127							GKF127							GKA127							GKAF127							GK127							GKF127							GKA127							GKAF127							GK127							GKF127							GKA127							GKAF127							GK127							GKF127							GKA127							GKAF127							GK127							GKF127							GKA127							GKAF127							GK127							GKF127							GKA127							GKAF127							GK127							GKF127							GKA127							GKAF127							GK127							GKF127							GKA127							GKAF127							GK127							GKF127							GKA127							GKAF127							GK127							GKF127							GKA127							GKAF127							GK127							GKF127							GKA127							GKAF127							GK127							GKF127							GKA127							GKAF127							GK127							GKF127							GKA127							GKAF127							GK127							GKF127							GKA127							GKAF127							GK127							GKF127							GKA127							GKAF127							GK127							GKF127							GKA127							GKAF127							GK127							GKF127							GKA127							GKAF127							GK127							GKF127							GKA127							GKAF127							GK127							GKF127							GKA127							GKAF127							GK127							GKF127							GKA127							GKAF127							GK127							GKF127							GKA127							GKAF127							GK127							GKF127							GKA127							GKAF127							GK127							GKF127							GKA127							GKAF127							GK127							GKF127							GKA127							GKAF127							GK127							GKF127							GKA127							GKAF127							GK127							GKF127							GKA127							GKAF127							GK127							GKF127							GKA127							GKAF127							GK127							GKF127							GKA127							GKAF127							GK127							GKF127							GKA127							GKAF127							GK127							GKF127							GKA127							GKAF127							GK127							GKF127																																																																																																																																																																																																																																																																					
5.0	6847	286	62	1.15	GK107R77																																																																																																																																																																																																																																																																																																																																																																																																																																																																																																																																																																																																																																																																																																																																																																																																																																																																																																																																																																																																																																																																																																																																																																																																																																																																																																																																																																																																																																																																																																																																																																																																																																																																																																																																																																																																																																																																																																																																																																																																																			
5.7	6009	251	62	1.35	GKF107R77	4P	12	3061	121.46	62	2.50	GK107																																																																																																																																																																																																																																																																																																																																																																																																																																																																																																																																																																																																																																																																																																																																																																																																																																																																																																																																																																																																																																																																																																																																																																																																																																																																																																																																																																																																																																																																																																																																																																																																																																																																																																																																																																																																																																																																																																																																																																																																												
6.5	5315	222	62	1.50	GKA107R77		7.3	4692	196	62	1.70	GKAF107R77		8.3	4166	174	62	1.90			9.4		3687	154	62	2.15			10		3352	140	62	2.40									GK97R57	4P	13	2833	112.41	62	2.70	GKF107						GKF97R57						GKA97R57	4P	14	2539	100.75	62	3.00	GKA107							GKAF97R57							GK127								GKF127								GKA127	8P	16		2292	90.96	62	3.30	GKAF107							GKAF127						GK127							GKF127								GKA127								GKAF127								GK127	6P	17	2082	82.61	62	3.60							GKF127						GKA127							GKAF127								GK127								GKF127								GKA127							GKAF127							GK127							GKF127							GKA127							GKAF127							GK127							GKF127							GKA127							GKAF127							GK127							GKF127							GKA127							GKAF127							GK127							GKF127							GKA127							GKAF127							GK127							GKF127							GKA127							GKAF127							GK127							GKF127							GKA127							GKAF127							GK127							GKF127							GKA127							GKAF127							GK127							GKF127							GKA127							GKAF127							GK127							GKF127							GKA127							GKAF127							GK127							GKF127							GKA127							GKAF127							GK127							GKF127							GKA127							GKAF127							GK127							GKF127							GKA127							GKAF127							GK127							GKF127							GKA127							GKAF127							GK127							GKF127							GKA127							GKAF127							GK127							GKF127							GKA127							GKAF127							GK127							GKF127							GKA127							GKAF127							GK127							GKF127							GKA127							GKAF127							GK127							GKF127							GKA127							GKAF127							GK127							GKF127							GKA127							GKAF127							GK127							GKF127							GKA127							GKAF127							GK127							GKF127							GKA127							GKAF127							GK127							GKF127							GKA127							GKAF127							GK127							GKF127							GKA127							GKAF127							GK127							GKF127							GKA127							GKAF127							GK127							GKF127							GKA127							GKAF127							GK127							GKF127							GKA127							GKAF127							GK127							GKF127							GKA127							GKAF127							GK127							GKF127							GKA127							GKAF127							GK127							GKF127							GKA127							GKAF127							GK127							GKF127							GKA127							GKAF127							GK127							GKF127							GKA127							GKAF127							GK127							GKF127							GKA127							GKAF127							GK127							GKF127							GKA127							GKAF127							GK127							GKF127							GKA127							GKAF127							GK127							GKF127							GKA127							GKAF127							GK127							GKF127							GKA127							GKAF127							GK127							GKF127							GKA127							GKAF127							GK127							GKF127							GKA127							GKAF127							GK127							GKF127							GKA127							GKAF127							GK127							GKF127							GKA127							GKAF127							GK127							GKF127							GKA127							GKAF127							GK127							GKF127							GKA127							GKAF127							GK127							GKF127							GKA127							GKAF127							GK127							GKF127							GKA127							GKAF127							GK127							GKF127							GKA127							GKAF127							GK127							GKF127							GKA127							GKAF127							GK127							GKF127							GKA127							GKAF127							GK127							GKF127							GKA127							GKAF127							GK127							GKF127							GKA127							GKAF127							GK127							GKF127							GKA127							GKAF127							GK127							GKF127							GKA127							GKAF127							GK127							GKF127																																																																																																																																																																																																																																																																																																						
7.3	4692	196	62	1.70	GKAF107R77			8.3	4166	174	62	1.90			9.4	3687	154	62	2.15				10	3352	140	62	2.40									GK97R57	4P	13	2833	112.41	62	2.70	GKF107							GKF97R57						GKA97R57	4P	14	2539	100.75	62	3.00		GKA107						GKAF97R57							GK127								GKF127							GKA127	8P		16	2292	90.96	62	3.30		GKAF107							GKAF127						GK127							GKF127							GKA127								GKAF127								GK127	6P	17	2082	82.61	62	3.60								GKF127						GKA127							GKAF127							GK127								GKF127								GKA127							GKAF127							GK127							GKF127							GKA127							GKAF127							GK127							GKF127							GKA127							GKAF127							GK127							GKF127							GKA127							GKAF127							GK127							GKF127							GKA127							GKAF127							GK127							GKF127							GKA127							GKAF127							GK127							GKF127							GKA127							GKAF127							GK127							GKF127							GKA127							GKAF127							GK127							GKF127							GKA127							GKAF127							GK127							GKF127							GKA127							GKAF127							GK127							GKF127							GKA127							GKAF127							GK127							GKF127							GKA127							GKAF127							GK127							GKF127							GKA127							GKAF127							GK127							GKF127							GKA127							GKAF127							GK127							GKF127							GKA127							GKAF127							GK127							GKF127							GKA127							GKAF127							GK127							GKF127							GKA127							GKAF127							GK127							GKF127							GKA127							GKAF127							GK127							GKF127							GKA127							GKAF127							GK127							GKF127							GKA127							GKAF127							GK127							GKF127							GKA127							GKAF127							GK127							GKF127							GKA127							GKAF127							GK127							GKF127							GKA127							GKAF127							GK127							GKF127							GKA127							GKAF127							GK127							GKF127							GKA127							GKAF127							GK127							GKF127							GKA127							GKAF127							GK127							GKF127							GKA127							GKAF127							GK127							GKF127							GKA127							GKAF127							GK127							GKF127							GKA127							GKAF127							GK127							GKF127							GKA127							GKAF127							GK127							GKF127							GKA127							GKAF127							GK127							GKF127							GKA127							GKAF127							GK127							GKF127							GKA127							GKAF127							GK127							GKF127							GKA127							GKAF127							GK127							GKF127							GKA127							GKAF127							GK127							GKF127							GKA127							GKAF127							GK127							GKF127							GKA127							GKAF127							GK127							GKF127							GKA127							GKAF127							GK127							GKF127							GKA127							GKAF127							GK127							GKF127							GKA127							GKAF127							GK127							GKF127							GKA127							GKAF127							GK127							GKF127							GKA127							GKAF127							GK127							GKF127							GKA127							GKAF127							GK127							GKF127							GKA127							GKAF127							GK127							GKF127							GKA127							GKAF127							GK127							GKF127							GKA127							GKAF127							GK127							GKF127							GKA127							GKAF127							GK127							GKF127							GKA127							GKAF127							GK127							GKF127							GKA127							GKAF127							GK127							GKF127							GKA127							GKAF127							GK127							GKF127							GKA127							GKAF127							GK127							GKF127							GKA127							GKAF127							GK127							GKF127																																																																																																																																																																																																																																																																																																													
8.3	4166	174	62	1.90				9.4	3687	154	62	2.15			10	3352	140	62	2.40									GK97R57	4P	13	2833	112.41	62	2.70	GKF107							GKF97R57							GKA97R57	4P	14	2539	100.75	62	3.00	GKA107								GKAF97R57						GK127								GKF127							GKA127	8P	16	2292	90.96	62	3.30	GKAF107									GKAF127						GK127							GKF127							GKA127							GKAF127								GK127	6P	17	2082	82.61	62	3.60								GKF127							GKA127							GKAF127							GK127							GKF127								GKA127							GKAF127							GK127							GKF127							GKA127							GKAF127							GK127							GKF127							GKA127							GKAF127							GK127							GKF127							GKA127							GKAF127							GK127							GKF127							GKA127							GKAF127							GK127							GKF127							GKA127							GKAF127							GK127							GKF127							GKA127							GKAF127							GK127							GKF127							GKA127							GKAF127							GK127							GKF127							GKA127							GKAF127							GK127							GKF127							GKA127							GKAF127							GK127							GKF127							GKA127							GKAF127							GK127							GKF127							GKA127							GKAF127							GK127							GKF127							GKA127							GKAF127							GK127							GKF127							GKA127							GKAF127							GK127							GKF127							GKA127							GKAF127							GK127							GKF127							GKA127							GKAF127							GK127							GKF127							GKA127							GKAF127							GK127							GKF127							GKA127							GKAF127							GK127							GKF127							GKA127							GKAF127							GK127							GKF127							GKA127							GKAF127							GK127							GKF127							GKA127							GKAF127							GK127							GKF127							GKA127							GKAF127							GK127							GKF127							GKA127							GKAF127							GK127							GKF127							GKA127							GKAF127							GK127							GKF127							GKA127							GKAF127							GK127							GKF127							GKA127							GKAF127							GK127							GKF127							GKA127							GKAF127							GK127							GKF127							GKA127							GKAF127							GK127							GKF127							GKA127							GKAF127							GK127							GKF127							GKA127							GKAF127							GK127							GKF127							GKA127							GKAF127							GK127							GKF127							GKA127							GKAF127							GK127							GKF127							GKA127							GKAF127							GK127							GKF127							GKA127							GKAF127							GK127							GKF127							GKA127							GKAF127							GK127							GKF127							GKA127							GKAF127							GK127							GKF127							GKA127							GKAF127							GK127							GKF127							GKA127							GKAF127							GK127							GKF127							GKA127							GKAF127							GK127							GKF127							GKA127							GKAF127							GK127							GKF127							GKA127							GKAF127							GK127							GKF127							GKA127							GKAF127							GK127							GKF127							GKA127							GKAF127							GK127							GKF127							GKA127							GKAF127							GK127							GKF127							GKA127							GKAF127							GK127							GKF127							GKA127							GKAF127							GK127							GKF127							GKA127							GKAF127							GK127							GKF127							GKA127							GKAF127							GK127							GKF127							GKA127							GKAF127							GK127							GKF127							GKA127							GKAF127							GK127							GKF127							GKA127							GKAF127							GK127							GKF127							GKA127							GKAF127							GK127							GKF127																																																																																																																																																																																																																																																																																																																					
9.4	3687	154	62	2.15				10	3352	140	62	2.40								GK97R57	4P	13	2833	112.41	62	2.70	GKF107							GKF97R57							GKA97R57	4P	14		2539	100.75	62	3.00	GKA107							GKAF97R57								GK127							GKF127							GKA127	8P	16	2292	90.96	62	3.30	GKAF107							GKAF127							GK127								GKF127							GKA127							GKAF127							GK127	6P	17	2082	82.61	62	3.60								GKF127							GKA127								GKAF127							GK127							GKF127							GKA127							GKAF127							GK127							GKF127							GKA127							GKAF127							GK127							GKF127							GKA127							GKAF127							GK127							GKF127							GKA127							GKAF127							GK127							GKF127							GKA127							GKAF127							GK127							GKF127							GKA127							GKAF127							GK127							GKF127							GKA127							GKAF127							GK127							GKF127							GKA127							GKAF127							GK127							GKF127							GKA127							GKAF127							GK127							GKF127							GKA127							GKAF127							GK127							GKF127							GKA127							GKAF127							GK127							GKF127							GKA127							GKAF127							GK127							GKF127							GKA127							GKAF127							GK127							GKF127							GKA127							GKAF127							GK127							GKF127							GKA127							GKAF127							GK127							GKF127							GKA127							GKAF127							GK127							GKF127							GKA127							GKAF127							GK127							GKF127							GKA127							GKAF127							GK127							GKF127							GKA127							GKAF127							GK127							GKF127							GKA127							GKAF127							GK127							GKF127							GKA127							GKAF127							GK127							GKF127							GKA127							GKAF127							GK127							GKF127							GKA127							GKAF127							GK127							GKF127							GKA127							GKAF127							GK127							GKF127							GKA127							GKAF127							GK127							GKF127							GKA127							GKAF127							GK127							GKF127							GKA127							GKAF127							GK127							GKF127							GKA127							GKAF127							GK127							GKF127							GKA127							GKAF127							GK127							GKF127							GKA127							GKAF127							GK127							GKF127							GKA127							GKAF127							GK127							GKF127							GKA127							GKAF127							GK127							GKF127							GKA127							GKAF127							GK127							GKF127							GKA127							GKAF127							GK127							GKF127							GKA127							GKAF127							GK127							GKF127							GKA127							GKAF127							GK127							GKF127							GKA127							GKAF127							GK127							GKF127							GKA127							GKAF127							GK127							GKF127							GKA127							GKAF127							GK127							GKF127							GKA127							GKAF127							GK127							GKF127							GKA127							GKAF127							GK127							GKF127							GKA127							GKAF127							GK127							GKF127							GKA127							GKAF127							GK127							GKF127							GKA127							GKAF127							GK127							GKF127							GKA127							GKAF127							GK127							GKF127							GKA127							GKAF127							GK127							GKF127							GKA127							GKAF127							GK127							GKF127							GKA127							GKAF127							GK127							GKF127							GKA127							GKAF127							GK127							GKF127							GKA127							GKAF127							GK127							GKF127							GKA127							GKAF127							GK127							GKF127							GKA127							GKAF127							GK127							GKF127																																																																																																																																																																																																																																																																																																																													
10	3352	140	62	2.40																																																																																																																																																																																																																																																																																																																																																																																																																																																																																																																																																																																																																																																																																																																																																																																																																																																																																																																																																																																																																																																																																																																																																																																																																																																																																																																																																																																																																																																																																																																																																																																																																																																																																																																																																																																																																																																																																																																																																																																																																				
					GK97R57	4P	13	2833	112.41	62	2.70	GKF107																																																																																																																																																																																																																																																																																																																																																																																																																																																																																																																																																																																																																																																																																																																																																																																																																																																																																																																																																																																																																																																																																																																																																																																																																																																																																																																																																																																																																																																																																																																																																																																																																																																																																																																																																																																																																																																																																																																																																																																																												
					GKF97R57							GKA97R57	4P	14	2539	100.75	62	3.00	GKA107							GKAF97R57							GK127								GKF127								GKA127		8P	16	2292	90.96	62	3.30		GKAF107						GKAF127						GK127							GKF127								GKA127									GKAF127							GK127	6P	17	2082	82.61	62	3.60							GKF127						GKA127							GKAF127								GK127								GKF127								GKA127							GKAF127							GK127							GKF127							GKA127							GKAF127							GK127							GKF127							GKA127							GKAF127							GK127							GKF127							GKA127							GKAF127							GK127							GKF127							GKA127							GKAF127							GK127							GKF127							GKA127							GKAF127							GK127							GKF127							GKA127							GKAF127							GK127							GKF127							GKA127							GKAF127							GK127							GKF127							GKA127							GKAF127							GK127							GKF127							GKA127							GKAF127							GK127							GKF127							GKA127							GKAF127							GK127							GKF127							GKA127							GKAF127							GK127							GKF127							GKA127							GKAF127							GK127							GKF127							GKA127							GKAF127							GK127							GKF127							GKA127							GKAF127							GK127							GKF127							GKA127							GKAF127							GK127							GKF127							GKA127							GKAF127							GK127							GKF127							GKA127							GKAF127							GK127							GKF127							GKA127							GKAF127							GK127							GKF127							GKA127							GKAF127							GK127							GKF127							GKA127							GKAF127							GK127							GKF127							GKA127							GKAF127							GK127							GKF127							GKA127							GKAF127							GK127							GKF127							GKA127							GKAF127							GK127							GKF127							GKA127							GKAF127							GK127							GKF127							GKA127							GKAF127							GK127							GKF127							GKA127							GKAF127							GK127							GKF127							GKA127							GKAF127							GK127							GKF127							GKA127							GKAF127							GK127							GKF127							GKA127							GKAF127							GK127							GKF127							GKA127							GKAF127							GK127							GKF127							GKA127							GKAF127							GK127							GKF127							GKA127							GKAF127							GK127							GKF127							GKA127							GKAF127							GK127							GKF127							GKA127							GKAF127							GK127							GKF127							GKA127							GKAF127							GK127							GKF127							GKA127							GKAF127							GK127							GKF127							GKA127							GKAF127							GK127							GKF127							GKA127							GKAF127							GK127							GKF127							GKA127							GKAF127							GK127							GKF127							GKA127							GKAF127							GK127							GKF127							GKA127							GKAF127							GK127							GKF127							GKA127							GKAF127							GK127							GKF127							GKA127							GKAF127							GK127							GKF127							GKA127							GKAF127							GK127							GKF127							GKA127							GKAF127							GK127							GKF127							GKA127							GKAF127							GK127							GKF127							GKA127							GKAF127							GK127							GKF127							GKA127							GKAF127							GK127							GKF127							GKA127							GKAF127							GK127							GKF127							GKA127							GKAF127							GK127							GKF127							GKA127							GKAF127							GK127							GKF127																																																																																																																																																																																																																																																																																																																																																								
					GKA97R57		4P	14	2539	100.75	62	3.00		GKA107																																																																																																																																																																																																																																																																																																																																																																																																																																																																																																																																																																																																																																																																																																																																																																																																																																																																																																																																																																																																																																																																																																																																																																																																																																																																																																																																																																																																																																																																																																																																																																																																																																																																																																																																																																																																																																																																																																																																																																																																										
					GKAF97R57									GK127								GKF127							GKA127	8P	16	2292	90.96	62	3.30	GKAF107							GKAF127						GK127								GKF127							GKA127							GKAF127							GK127		6P	17	2082	82.61	62	3.60							GKF127						GKA127								GKAF127							GK127							GKF127							GKA127								GKAF127							GK127							GKF127							GKA127							GKAF127							GK127							GKF127							GKA127							GKAF127							GK127							GKF127							GKA127							GKAF127							GK127							GKF127							GKA127							GKAF127							GK127							GKF127							GKA127							GKAF127							GK127							GKF127							GKA127							GKAF127							GK127							GKF127							GKA127							GKAF127							GK127							GKF127							GKA127							GKAF127							GK127							GKF127							GKA127							GKAF127							GK127							GKF127							GKA127							GKAF127							GK127							GKF127							GKA127							GKAF127							GK127							GKF127							GKA127							GKAF127							GK127							GKF127							GKA127							GKAF127							GK127							GKF127							GKA127							GKAF127							GK127							GKF127							GKA127							GKAF127							GK127							GKF127							GKA127							GKAF127							GK127							GKF127							GKA127							GKAF127							GK127							GKF127							GKA127							GKAF127							GK127							GKF127							GKA127							GKAF127							GK127							GKF127							GKA127							GKAF127							GK127							GKF127							GKA127							GKAF127							GK127							GKF127							GKA127							GKAF127							GK127							GKF127							GKA127							GKAF127							GK127							GKF127							GKA127							GKAF127							GK127							GKF127							GKA127							GKAF127							GK127							GKF127							GKA127							GKAF127							GK127							GKF127							GKA127							GKAF127							GK127							GKF127							GKA127							GKAF127							GK127							GKF127							GKA127							GKAF127							GK127							GKF127							GKA127							GKAF127							GK127							GKF127							GKA127							GKAF127							GK127							GKF127							GKA127							GKAF127							GK127							GKF127							GKA127							GKAF127							GK127							GKF127							GKA127							GKAF127							GK127							GKF127							GKA127							GKAF127							GK127							GKF127							GKA127							GKAF127							GK127							GKF127							GKA127							GKAF127							GK127							GKF127							GKA127							GKAF127							GK127							GKF127							GKA127							GKAF127							GK127							GKF127							GKA127							GKAF127							GK127							GKF127							GKA127							GKAF127							GK127							GKF127							GKA127							GKAF127							GK127							GKF127							GKA127							GKAF127							GK127							GKF127							GKA127							GKAF127							GK127							GKF127							GKA127							GKAF127							GK127							GKF127							GKA127							GKAF127							GK127							GKF127							GKA127							GKAF127							GK127							GKF127							GKA127							GKAF127							GK127							GKF127							GKA127							GKAF127							GK127							GKF127							GKA127							GKAF127							GK127							GKF127							GKA127							GKAF127							GK127							GKF127																																																																																																																																																																																																																																																																																																																																																																															
					GK127										GKF127							GKA127	8P	16	2292	90.96	62	3.30	GKAF107							GKAF127						GK127							GKF127								GKA127							GKAF127							GK127	6P	17	2082	82.61	62	3.60								GKF127						GKA127							GKAF127								GK127							GKF127							GKA127							GKAF127							GK127							GKF127							GKA127							GKAF127							GK127							GKF127							GKA127							GKAF127							GK127							GKF127							GKA127							GKAF127							GK127							GKF127							GKA127							GKAF127							GK127							GKF127							GKA127							GKAF127							GK127							GKF127							GKA127							GKAF127							GK127							GKF127							GKA127							GKAF127							GK127							GKF127							GKA127							GKAF127							GK127							GKF127							GKA127							GKAF127							GK127							GKF127							GKA127							GKAF127							GK127							GKF127							GKA127							GKAF127							GK127							GKF127							GKA127							GKAF127							GK127							GKF127							GKA127							GKAF127							GK127							GKF127							GKA127							GKAF127							GK127							GKF127							GKA127							GKAF127							GK127							GKF127							GKA127							GKAF127							GK127							GKF127							GKA127							GKAF127							GK127							GKF127							GKA127							GKAF127							GK127							GKF127							GKA127							GKAF127							GK127							GKF127							GKA127							GKAF127							GK127							GKF127							GKA127							GKAF127							GK127							GKF127							GKA127							GKAF127							GK127							GKF127							GKA127							GKAF127							GK127							GKF127							GKA127							GKAF127							GK127							GKF127							GKA127							GKAF127							GK127							GKF127							GKA127							GKAF127							GK127							GKF127							GKA127							GKAF127							GK127							GKF127							GKA127							GKAF127							GK127							GKF127							GKA127							GKAF127							GK127							GKF127							GKA127							GKAF127							GK127							GKF127							GKA127							GKAF127							GK127							GKF127							GKA127							GKAF127							GK127							GKF127							GKA127							GKAF127							GK127							GKF127							GKA127							GKAF127							GK127							GKF127							GKA127							GKAF127							GK127							GKF127							GKA127							GKAF127							GK127							GKF127							GKA127							GKAF127							GK127							GKF127							GKA127							GKAF127							GK127							GKF127							GKA127							GKAF127							GK127							GKF127							GKA127							GKAF127							GK127							GKF127							GKA127							GKAF127							GK127							GKF127							GKA127							GKAF127							GK127							GKF127							GKA127							GKAF127							GK127							GKF127							GKA127							GKAF127							GK127							GKF127							GKA127							GKAF127							GK127							GKF127							GKA127							GKAF127							GK127							GKF127							GKA127							GKAF127							GK127							GKF127							GKA127							GKAF127							GK127							GKF127							GKA127							GKAF127							GK127							GKF127							GKA127							GKAF127							GK127							GKF127							GKA127							GKAF127							GK127							GKF127																																																																																																																																																																																																																																																																																																																																																																																							
					GKF127																																																																																																																																																																																																																																																																																																																																																																																																																																																																																																																																																																																																																																																																																																																																																																																																																																																																																																																																																																																																																																																																																																																																																																																																																																																																																																																																																																																																																																																																																																																																																																																																																																																																																																																																																																																																																																																																																																																																																																																																																			
					GKA127	8P		16	2292	90.96	62	3.30		GKAF107																																																																																																																																																																																																																																																																																																																																																																																																																																																																																																																																																																																																																																																																																																																																																																																																																																																																																																																																																																																																																																																																																																																																																																																																																																																																																																																																																																																																																																																																																																																																																																																																																																																																																																																																																																																																																																																																																																																																																																																																										
					GKAF127								GK127							GKF127								GKA127								GKAF127							GK127	6P	17	2082	82.61	62	3.60							GKF127						GKA127							GKAF127								GK127								GKF127							GKA127							GKAF127							GK127							GKF127							GKA127							GKAF127							GK127							GKF127							GKA127							GKAF127							GK127							GKF127							GKA127							GKAF127							GK127							GKF127							GKA127							GKAF127							GK127							GKF127							GKA127							GKAF127							GK127							GKF127							GKA127							GKAF127							GK127							GKF127							GKA127							GKAF127							GK127							GKF127							GKA127							GKAF127							GK127							GKF127							GKA127							GKAF127							GK127							GKF127							GKA127							GKAF127							GK127							GKF127							GKA127							GKAF127							GK127							GKF127							GKA127							GKAF127							GK127							GKF127							GKA127							GKAF127							GK127							GKF127							GKA127							GKAF127							GK127							GKF127							GKA127							GKAF127							GK127							GKF127							GKA127							GKAF127							GK127							GKF127							GKA127							GKAF127							GK127							GKF127							GKA127							GKAF127							GK127							GKF127							GKA127							GKAF127							GK127							GKF127							GKA127							GKAF127							GK127							GKF127							GKA127							GKAF127							GK127							GKF127							GKA127							GKAF127							GK127							GKF127							GKA127							GKAF127							GK127							GKF127							GKA127							GKAF127							GK127							GKF127							GKA127							GKAF127							GK127							GKF127							GKA127							GKAF127							GK127							GKF127							GKA127							GKAF127							GK127							GKF127							GKA127							GKAF127							GK127							GKF127							GKA127							GKAF127							GK127							GKF127							GKA127							GKAF127							GK127							GKF127							GKA127							GKAF127							GK127							GKF127							GKA127							GKAF127							GK127							GKF127							GKA127							GKAF127							GK127							GKF127							GKA127							GKAF127							GK127							GKF127							GKA127							GKAF127							GK127							GKF127							GKA127							GKAF127							GK127							GKF127							GKA127							GKAF127							GK127							GKF127							GKA127							GKAF127							GK127							GKF127							GKA127							GKAF127							GK127							GKF127							GKA127							GKAF127							GK127							GKF127							GKA127							GKAF127							GK127							GKF127							GKA127							GKAF127							GK127							GKF127							GKA127							GKAF127							GK127							GKF127							GKA127							GKAF127							GK127							GKF127							GKA127							GKAF127							GK127							GKF127							GKA127							GKAF127							GK127							GKF127							GKA127							GKAF127							GK127							GKF127							GKA127							GKAF127							GK127							GKF127							GKA127							GKAF127							GK127							GKF127							GKA127							GKAF127							GK127							GKF127							GKA127							GKAF127							GK127							GKF127																																																																																																																																																																																																																																																																																																																																																																																																																			
					GK127								GKF127							GKA127								GKAF127								GK127	6P	17	2082	82.61	62	3.60								GKF127						GKA127							GKAF127							GK127								GKF127								GKA127							GKAF127							GK127							GKF127							GKA127							GKAF127							GK127							GKF127							GKA127							GKAF127							GK127							GKF127							GKA127							GKAF127							GK127							GKF127							GKA127							GKAF127							GK127							GKF127							GKA127							GKAF127							GK127							GKF127							GKA127							GKAF127							GK127							GKF127							GKA127							GKAF127							GK127							GKF127							GKA127							GKAF127							GK127							GKF127							GKA127							GKAF127							GK127							GKF127							GKA127							GKAF127							GK127							GKF127							GKA127							GKAF127							GK127							GKF127							GKA127							GKAF127							GK127							GKF127							GKA127							GKAF127							GK127							GKF127							GKA127							GKAF127							GK127							GKF127							GKA127							GKAF127							GK127							GKF127							GKA127							GKAF127							GK127							GKF127							GKA127							GKAF127							GK127							GKF127							GKA127							GKAF127							GK127							GKF127							GKA127							GKAF127							GK127							GKF127							GKA127							GKAF127							GK127							GKF127							GKA127							GKAF127							GK127							GKF127							GKA127							GKAF127							GK127							GKF127							GKA127							GKAF127							GK127							GKF127							GKA127							GKAF127							GK127							GKF127							GKA127							GKAF127							GK127							GKF127							GKA127							GKAF127							GK127							GKF127							GKA127							GKAF127							GK127							GKF127							GKA127							GKAF127							GK127							GKF127							GKA127							GKAF127							GK127							GKF127							GKA127							GKAF127							GK127							GKF127							GKA127							GKAF127							GK127							GKF127							GKA127							GKAF127							GK127							GKF127							GKA127							GKAF127							GK127							GKF127							GKA127							GKAF127							GK127							GKF127							GKA127							GKAF127							GK127							GKF127							GKA127							GKAF127							GK127							GKF127							GKA127							GKAF127							GK127							GKF127							GKA127							GKAF127							GK127							GKF127							GKA127							GKAF127							GK127							GKF127							GKA127							GKAF127							GK127							GKF127							GKA127							GKAF127							GK127							GKF127							GKA127							GKAF127							GK127							GKF127							GKA127							GKAF127							GK127							GKF127							GKA127							GKAF127							GK127							GKF127							GKA127							GKAF127							GK127							GKF127							GKA127							GKAF127							GK127							GKF127							GKA127							GKAF127							GK127							GKF127							GKA127							GKAF127							GK127							GKF127							GKA127							GKAF127							GK127							GKF127							GKA127							GKAF127							GK127							GKF127							GKA127							GKAF127							GK127							GKF127																																																																																																																																																																																																																																																																																																																																																																																																																									
					GKF127								GKA127							GKAF127								GK127	6P	17	2082	82.61	62	3.60								GKF127							GKA127							GKAF127							GK127							GKF127								GKA127							GKAF127							GK127							GKF127							GKA127							GKAF127							GK127							GKF127							GKA127							GKAF127							GK127							GKF127							GKA127							GKAF127							GK127							GKF127							GKA127							GKAF127							GK127							GKF127							GKA127							GKAF127							GK127							GKF127							GKA127							GKAF127							GK127							GKF127							GKA127							GKAF127							GK127							GKF127							GKA127							GKAF127							GK127							GKF127							GKA127							GKAF127							GK127							GKF127							GKA127							GKAF127							GK127							GKF127							GKA127							GKAF127							GK127							GKF127							GKA127							GKAF127							GK127							GKF127							GKA127							GKAF127							GK127							GKF127							GKA127							GKAF127							GK127							GKF127							GKA127							GKAF127							GK127							GKF127							GKA127							GKAF127							GK127							GKF127							GKA127							GKAF127							GK127							GKF127							GKA127							GKAF127							GK127							GKF127							GKA127							GKAF127							GK127							GKF127							GKA127							GKAF127							GK127							GKF127							GKA127							GKAF127							GK127							GKF127							GKA127							GKAF127							GK127							GKF127							GKA127							GKAF127							GK127							GKF127							GKA127							GKAF127							GK127							GKF127							GKA127							GKAF127							GK127							GKF127							GKA127							GKAF127							GK127							GKF127							GKA127							GKAF127							GK127							GKF127							GKA127							GKAF127							GK127							GKF127							GKA127							GKAF127							GK127							GKF127							GKA127							GKAF127							GK127							GKF127							GKA127							GKAF127							GK127							GKF127							GKA127							GKAF127							GK127							GKF127							GKA127							GKAF127							GK127							GKF127							GKA127							GKAF127							GK127							GKF127							GKA127							GKAF127							GK127							GKF127							GKA127							GKAF127							GK127							GKF127							GKA127							GKAF127							GK127							GKF127							GKA127							GKAF127							GK127							GKF127							GKA127							GKAF127							GK127							GKF127							GKA127							GKAF127							GK127							GKF127							GKA127							GKAF127							GK127							GKF127							GKA127							GKAF127							GK127							GKF127							GKA127							GKAF127							GK127							GKF127							GKA127							GKAF127							GK127							GKF127							GKA127							GKAF127							GK127							GKF127							GKA127							GKAF127							GK127							GKF127							GKA127							GKAF127							GK127							GKF127							GKA127							GKAF127							GK127							GKF127							GKA127							GKAF127							GK127							GKF127							GKA127							GKAF127							GK127							GKF127							GKA127							GKAF127							GK127							GKF127																																																																																																																																																																																																																																																																																																																																																																																																																																	
					GKA127								GKAF127							GK127	6P	17	2082	82.61	62	3.60								GKF127							GKA127								GKAF127							GK127							GKF127							GKA127							GKAF127							GK127							GKF127							GKA127							GKAF127							GK127							GKF127							GKA127							GKAF127							GK127							GKF127							GKA127							GKAF127							GK127							GKF127							GKA127							GKAF127							GK127							GKF127							GKA127							GKAF127							GK127							GKF127							GKA127							GKAF127							GK127							GKF127							GKA127							GKAF127							GK127							GKF127							GKA127							GKAF127							GK127							GKF127							GKA127							GKAF127							GK127							GKF127							GKA127							GKAF127							GK127							GKF127							GKA127							GKAF127							GK127							GKF127							GKA127							GKAF127							GK127							GKF127							GKA127							GKAF127							GK127							GKF127							GKA127							GKAF127							GK127							GKF127							GKA127							GKAF127							GK127							GKF127							GKA127							GKAF127							GK127							GKF127							GKA127							GKAF127							GK127							GKF127							GKA127							GKAF127							GK127							GKF127							GKA127							GKAF127							GK127							GKF127							GKA127							GKAF127							GK127							GKF127							GKA127							GKAF127							GK127							GKF127							GKA127							GKAF127							GK127							GKF127							GKA127							GKAF127							GK127							GKF127							GKA127							GKAF127							GK127							GKF127							GKA127							GKAF127							GK127							GKF127							GKA127							GKAF127							GK127							GKF127							GKA127							GKAF127							GK127							GKF127							GKA127							GKAF127							GK127							GKF127							GKA127							GKAF127							GK127							GKF127							GKA127							GKAF127							GK127							GKF127							GKA127							GKAF127							GK127							GKF127							GKA127							GKAF127							GK127							GKF127							GKA127							GKAF127							GK127							GKF127							GKA127							GKAF127							GK127							GKF127							GKA127							GKAF127							GK127							GKF127							GKA127							GKAF127							GK127							GKF127							GKA127							GKAF127							GK127							GKF127							GKA127							GKAF127							GK127							GKF127							GKA127							GKAF127							GK127							GKF127							GKA127							GKAF127							GK127							GKF127							GKA127							GKAF127							GK127							GKF127							GKA127							GKAF127							GK127							GKF127							GKA127							GKAF127							GK127							GKF127							GKA127							GKAF127							GK127							GKF127							GKA127							GKAF127							GK127							GKF127							GKA127							GKAF127							GK127							GKF127							GKA127							GKAF127							GK127							GKF127							GKA127							GKAF127							GK127							GKF127							GKA127							GKAF127							GK127							GKF127							GKA127							GKAF127							GK127							GKF127							GKA127							GKAF127							GK127							GKF127																																																																																																																																																																																																																																																																																																																																																																																																																																									
					GKAF127																																																																																																																																																																																																																																																																																																																																																																																																																																																																																																																																																																																																																																																																																																																																																																																																																																																																																																																																																																																																																																																																																																																																																																																																																																																																																																																																																																																																																																																																																																																																																																																																																																																																																																																																																																																																																																																																																																																																																																																																																			
					GK127	6P	17	2082	82.61	62	3.60																																																																																																																																																																																																																																																																																																																																																																																																																																																																																																																																																																																																																																																																																																																																																																																																																																																																																																																																																																																																																																																																																																																																																																																																																																																																																																																																																																																																																																																																																																																																																																																																																																																																																																																																																																																																																																																																																																																																																																																																													
					GKF127							GKA127							GKAF127								GK127								GKF127								GKA127							GKAF127							GK127							GKF127							GKA127							GKAF127							GK127							GKF127							GKA127							GKAF127							GK127							GKF127							GKA127							GKAF127							GK127							GKF127							GKA127							GKAF127							GK127							GKF127							GKA127							GKAF127							GK127							GKF127							GKA127							GKAF127							GK127							GKF127							GKA127							GKAF127							GK127							GKF127							GKA127							GKAF127							GK127							GKF127							GKA127							GKAF127							GK127							GKF127							GKA127							GKAF127							GK127							GKF127							GKA127							GKAF127							GK127							GKF127							GKA127							GKAF127							GK127							GKF127							GKA127							GKAF127							GK127							GKF127							GKA127							GKAF127							GK127							GKF127							GKA127							GKAF127							GK127							GKF127							GKA127							GKAF127							GK127							GKF127							GKA127							GKAF127							GK127							GKF127							GKA127							GKAF127							GK127							GKF127							GKA127							GKAF127							GK127							GKF127							GKA127							GKAF127							GK127							GKF127							GKA127							GKAF127							GK127							GKF127							GKA127							GKAF127							GK127							GKF127							GKA127							GKAF127							GK127							GKF127							GKA127							GKAF127							GK127							GKF127							GKA127							GKAF127							GK127							GKF127							GKA127							GKAF127							GK127							GKF127							GKA127							GKAF127							GK127							GKF127							GKA127							GKAF127							GK127							GKF127							GKA127							GKAF127							GK127							GKF127							GKA127							GKAF127							GK127							GKF127							GKA127							GKAF127							GK127							GKF127							GKA127							GKAF127							GK127							GKF127							GKA127							GKAF127							GK127							GKF127							GKA127							GKAF127							GK127							GKF127							GKA127							GKAF127							GK127							GKF127							GKA127							GKAF127							GK127							GKF127							GKA127							GKAF127							GK127							GKF127							GKA127							GKAF127							GK127							GKF127							GKA127							GKAF127							GK127							GKF127							GKA127							GKAF127							GK127							GKF127							GKA127							GKAF127							GK127							GKF127							GKA127							GKAF127							GK127							GKF127							GKA127							GKAF127							GK127							GKF127							GKA127							GKAF127							GK127							GKF127							GKA127							GKAF127							GK127							GKF127							GKA127							GKAF127							GK127							GKF127							GKA127							GKAF127							GK127							GKF127							GKA127							GKAF127							GK127							GKF127							GKA127							GKAF127							GK127							GKF127							GKA127							GKAF127							GK127							GKF127							GKA127							GKAF127							GK127							GKF127																																																																																																																																																																																																																																																																																																																																																																																																																																																																				
					GKA127								GKAF127							GK127								GKF127								GKA127							GKAF127							GK127							GKF127							GKA127							GKAF127							GK127							GKF127							GKA127							GKAF127							GK127							GKF127							GKA127							GKAF127							GK127							GKF127							GKA127							GKAF127							GK127							GKF127							GKA127							GKAF127							GK127							GKF127							GKA127							GKAF127							GK127							GKF127							GKA127							GKAF127							GK127							GKF127							GKA127							GKAF127							GK127							GKF127							GKA127							GKAF127							GK127							GKF127							GKA127							GKAF127							GK127							GKF127							GKA127							GKAF127							GK127							GKF127							GKA127							GKAF127							GK127							GKF127							GKA127							GKAF127							GK127							GKF127							GKA127							GKAF127							GK127							GKF127							GKA127							GKAF127							GK127							GKF127							GKA127							GKAF127							GK127							GKF127							GKA127							GKAF127							GK127							GKF127							GKA127							GKAF127							GK127							GKF127							GKA127							GKAF127							GK127							GKF127							GKA127							GKAF127							GK127							GKF127							GKA127							GKAF127							GK127							GKF127							GKA127							GKAF127							GK127							GKF127							GKA127							GKAF127							GK127							GKF127							GKA127							GKAF127							GK127							GKF127							GKA127							GKAF127							GK127							GKF127							GKA127							GKAF127							GK127							GKF127							GKA127							GKAF127							GK127							GKF127							GKA127							GKAF127							GK127							GKF127							GKA127							GKAF127							GK127							GKF127							GKA127							GKAF127							GK127							GKF127							GKA127							GKAF127							GK127							GKF127							GKA127							GKAF127							GK127							GKF127							GKA127							GKAF127							GK127							GKF127							GKA127							GKAF127							GK127							GKF127							GKA127							GKAF127							GK127							GKF127							GKA127							GKAF127							GK127							GKF127							GKA127							GKAF127							GK127							GKF127							GKA127							GKAF127							GK127							GKF127							GKA127							GKAF127							GK127							GKF127							GKA127							GKAF127							GK127							GKF127							GKA127							GKAF127							GK127							GKF127							GKA127							GKAF127							GK127							GKF127							GKA127							GKAF127							GK127							GKF127							GKA127							GKAF127							GK127							GKF127							GKA127							GKAF127							GK127							GKF127							GKA127							GKAF127							GK127							GKF127							GKA127							GKAF127							GK127							GKF127							GKA127							GKAF127							GK127							GKF127							GKA127							GKAF127							GK127							GKF127							GKA127							GKAF127							GK127							GKF127							GKA127							GKAF127							GK127							GKF127																																																																																																																																																																																																																																																																																																																																																																																																																																																																											
					GKAF127								GK127							GKF127								GKA127							GKAF127							GK127							GKF127							GKA127							GKAF127							GK127							GKF127							GKA127							GKAF127							GK127							GKF127							GKA127							GKAF127							GK127							GKF127							GKA127							GKAF127							GK127							GKF127							GKA127							GKAF127							GK127							GKF127							GKA127							GKAF127							GK127							GKF127							GKA127							GKAF127							GK127							GKF127							GKA127							GKAF127							GK127							GKF127							GKA127							GKAF127							GK127							GKF127							GKA127							GKAF127							GK127							GKF127							GKA127							GKAF127							GK127							GKF127							GKA127							GKAF127							GK127							GKF127							GKA127							GKAF127							GK127							GKF127							GKA127							GKAF127							GK127							GKF127							GKA127							GKAF127							GK127							GKF127							GKA127							GKAF127							GK127							GKF127							GKA127							GKAF127							GK127							GKF127							GKA127							GKAF127							GK127							GKF127							GKA127							GKAF127							GK127							GKF127							GKA127							GKAF127							GK127							GKF127							GKA127							GKAF127							GK127							GKF127							GKA127							GKAF127							GK127							GKF127							GKA127							GKAF127							GK127							GKF127							GKA127							GKAF127							GK127							GKF127							GKA127							GKAF127							GK127							GKF127							GKA127							GKAF127							GK127							GKF127							GKA127							GKAF127							GK127							GKF127							GKA127							GKAF127							GK127							GKF127							GKA127							GKAF127							GK127							GKF127							GKA127							GKAF127							GK127							GKF127							GKA127							GKAF127							GK127							GKF127							GKA127							GKAF127							GK127							GKF127							GKA127							GKAF127							GK127							GKF127							GKA127							GKAF127							GK127							GKF127							GKA127							GKAF127							GK127							GKF127							GKA127							GKAF127							GK127							GKF127							GKA127							GKAF127							GK127							GKF127							GKA127							GKAF127							GK127							GKF127							GKA127							GKAF127							GK127							GKF127							GKA127							GKAF127							GK127							GKF127							GKA127							GKAF127							GK127							GKF127							GKA127							GKAF127							GK127							GKF127							GKA127							GKAF127							GK127							GKF127							GKA127							GKAF127							GK127							GKF127							GKA127							GKAF127							GK127							GKF127							GKA127							GKAF127							GK127							GKF127							GKA127							GKAF127							GK127							GKF127							GKA127							GKAF127							GK127							GKF127							GKA127							GKAF127							GK127							GKF127							GKA127							GKAF127							GK127							GKF127							GKA127							GKAF127							GK127							GKF127																																																																																																																																																																																																																																																																																																																																																																																																																																																																																			
					GK127								GKF127							GKA127							GKAF127							GK127							GKF127							GKA127							GKAF127							GK127							GKF127							GKA127							GKAF127							GK127							GKF127							GKA127							GKAF127							GK127							GKF127							GKA127							GKAF127							GK127							GKF127							GKA127							GKAF127							GK127							GKF127							GKA127							GKAF127							GK127							GKF127							GKA127							GKAF127							GK127							GKF127							GKA127							GKAF127							GK127							GKF127							GKA127							GKAF127							GK127							GKF127							GKA127							GKAF127							GK127							GKF127							GKA127							GKAF127							GK127							GKF127							GKA127							GKAF127							GK127							GKF127							GKA127							GKAF127							GK127							GKF127							GKA127							GKAF127							GK127							GKF127							GKA127							GKAF127							GK127							GKF127							GKA127							GKAF127							GK127							GKF127							GKA127							GKAF127							GK127							GKF127							GKA127							GKAF127							GK127							GKF127							GKA127							GKAF127							GK127							GKF127							GKA127							GKAF127							GK127							GKF127							GKA127							GKAF127							GK127							GKF127							GKA127							GKAF127							GK127							GKF127							GKA127							GKAF127							GK127							GKF127							GKA127							GKAF127							GK127							GKF127							GKA127							GKAF127							GK127							GKF127							GKA127							GKAF127							GK127							GKF127							GKA127							GKAF127							GK127							GKF127							GKA127							GKAF127							GK127							GKF127							GKA127							GKAF127							GK127							GKF127							GKA127							GKAF127							GK127							GKF127							GKA127							GKAF127							GK127							GKF127							GKA127							GKAF127							GK127							GKF127							GKA127							GKAF127							GK127							GKF127							GKA127							GKAF127							GK127							GKF127							GKA127							GKAF127							GK127							GKF127							GKA127							GKAF127							GK127							GKF127							GKA127							GKAF127							GK127							GKF127							GKA127							GKAF127							GK127							GKF127							GKA127							GKAF127							GK127							GKF127							GKA127							GKAF127							GK127							GKF127							GKA127							GKAF127							GK127							GKF127							GKA127							GKAF127							GK127							GKF127							GKA127							GKAF127							GK127							GKF127							GKA127							GKAF127							GK127							GKF127							GKA127							GKAF127							GK127							GKF127							GKA127							GKAF127							GK127							GKF127							GKA127							GKAF127							GK127							GKF127							GKA127							GKAF127							GK127							GKF127							GKA127							GKAF127							GK127							GKF127							GKA127							GKAF127							GK127							GKF127							GKA127							GKAF127							GK127							GKF127																																																																																																																																																																																																																																																																																																																																																																																																																																																																																											
					GKF127																																																																																																																																																																																																																																																																																																																																																																																																																																																																																																																																																																																																																																																																																																																																																																																																																																																																																																																																																																																																																																																																																																																																																																																																																																																																																																																																																																																																																																																																																																																																																																																																																																																																																																																																																																																																																																																																																																																																																																																																																			
					GKA127							GKAF127							GK127							GKF127							GKA127							GKAF127							GK127							GKF127							GKA127							GKAF127							GK127							GKF127							GKA127							GKAF127							GK127							GKF127							GKA127							GKAF127							GK127							GKF127							GKA127							GKAF127							GK127							GKF127							GKA127							GKAF127							GK127							GKF127							GKA127							GKAF127							GK127							GKF127							GKA127							GKAF127							GK127							GKF127							GKA127							GKAF127							GK127							GKF127							GKA127							GKAF127							GK127							GKF127							GKA127							GKAF127							GK127							GKF127							GKA127							GKAF127							GK127							GKF127							GKA127							GKAF127							GK127							GKF127							GKA127							GKAF127							GK127							GKF127							GKA127							GKAF127							GK127							GKF127							GKA127							GKAF127							GK127							GKF127							GKA127							GKAF127							GK127							GKF127							GKA127							GKAF127							GK127							GKF127							GKA127							GKAF127							GK127							GKF127							GKA127							GKAF127							GK127							GKF127							GKA127							GKAF127							GK127							GKF127							GKA127							GKAF127							GK127							GKF127							GKA127							GKAF127							GK127							GKF127							GKA127							GKAF127							GK127							GKF127							GKA127							GKAF127							GK127							GKF127							GKA127							GKAF127							GK127							GKF127							GKA127							GKAF127							GK127							GKF127							GKA127							GKAF127							GK127							GKF127							GKA127							GKAF127							GK127							GKF127							GKA127							GKAF127							GK127							GKF127							GKA127							GKAF127							GK127							GKF127							GKA127							GKAF127							GK127							GKF127							GKA127							GKAF127							GK127							GKF127							GKA127							GKAF127							GK127							GKF127							GKA127							GKAF127							GK127							GKF127							GKA127							GKAF127							GK127							GKF127							GKA127							GKAF127							GK127							GKF127							GKA127							GKAF127							GK127							GKF127							GKA127							GKAF127							GK127							GKF127							GKA127							GKAF127							GK127							GKF127							GKA127							GKAF127							GK127							GKF127							GKA127							GKAF127							GK127							GKF127							GKA127							GKAF127							GK127							GKF127							GKA127							GKAF127							GK127							GKF127							GKA127							GKAF127							GK127							GKF127							GKA127							GKAF127							GK127							GKF127							GKA127							GKAF127							GK127							GKF127							GKA127							GKAF127							GK127							GKF127							GKA127							GKAF127							GK127							GKF127							GKA127							GKAF127							GK127							GKF127							GKA127							GKAF127							GK127							GKF127																																																																																																																																																																																																																																																																																																																																																																																																																																																																																																										
					GKAF127							GK127							GKF127							GKA127							GKAF127							GK127							GKF127							GKA127							GKAF127							GK127							GKF127							GKA127							GKAF127							GK127							GKF127							GKA127							GKAF127							GK127							GKF127							GKA127							GKAF127							GK127							GKF127							GKA127							GKAF127							GK127							GKF127							GKA127							GKAF127							GK127							GKF127							GKA127							GKAF127							GK127							GKF127							GKA127							GKAF127							GK127							GKF127							GKA127							GKAF127							GK127							GKF127							GKA127							GKAF127							GK127							GKF127							GKA127							GKAF127							GK127							GKF127							GKA127							GKAF127							GK127							GKF127							GKA127							GKAF127							GK127							GKF127							GKA127							GKAF127							GK127							GKF127							GKA127							GKAF127							GK127							GKF127							GKA127							GKAF127							GK127							GKF127							GKA127							GKAF127							GK127							GKF127							GKA127							GKAF127							GK127							GKF127							GKA127							GKAF127							GK127							GKF127							GKA127							GKAF127							GK127							GKF127							GKA127							GKAF127							GK127							GKF127							GKA127							GKAF127							GK127							GKF127							GKA127							GKAF127							GK127							GKF127							GKA127							GKAF127							GK127							GKF127							GKA127							GKAF127							GK127							GKF127							GKA127							GKAF127							GK127							GKF127							GKA127							GKAF127							GK127							GKF127							GKA127							GKAF127							GK127							GKF127							GKA127							GKAF127							GK127							GKF127							GKA127							GKAF127							GK127							GKF127							GKA127							GKAF127							GK127							GKF127							GKA127							GKAF127							GK127							GKF127							GKA127							GKAF127							GK127							GKF127							GKA127							GKAF127							GK127							GKF127							GKA127							GKAF127							GK127							GKF127							GKA127							GKAF127							GK127							GKF127							GKA127							GKAF127							GK127							GKF127							GKA127							GKAF127							GK127							GKF127							GKA127							GKAF127							GK127							GKF127							GKA127							GKAF127							GK127							GKF127							GKA127							GKAF127							GK127							GKF127							GKA127							GKAF127							GK127							GKF127							GKA127							GKAF127							GK127							GKF127							GKA127							GKAF127							GK127							GKF127							GKA127							GKAF127							GK127							GKF127							GKA127							GKAF127							GK127							GKF127							GKA127							GKAF127							GK127							GKF127							GKA127							GKAF127							GK127							GKF127							GKA127							GKAF127							GK127							GKF127							GKA127							GKAF127							GK127							GKF127																																																																																																																																																																																																																																																																																																																																																																																																																																																																																																																	
					GK127							GKF127							GKA127							GKAF127							GK127							GKF127							GKA127							GKAF127							GK127							GKF127							GKA127							GKAF127							GK127							GKF127							GKA127							GKAF127							GK127							GKF127							GKA127							GKAF127							GK127							GKF127							GKA127							GKAF127							GK127							GKF127							GKA127							GKAF127							GK127							GKF127							GKA127							GKAF127							GK127							GKF127							GKA127							GKAF127							GK127							GKF127							GKA127							GKAF127							GK127							GKF127							GKA127							GKAF127							GK127							GKF127							GKA127							GKAF127							GK127							GKF127							GKA127							GKAF127							GK127							GKF127							GKA127							GKAF127							GK127							GKF127							GKA127							GKAF127							GK127							GKF127							GKA127							GKAF127							GK127							GKF127							GKA127							GKAF127							GK127							GKF127							GKA127							GKAF127							GK127							GKF127							GKA127							GKAF127							GK127							GKF127							GKA127							GKAF127							GK127							GKF127							GKA127							GKAF127							GK127							GKF127							GKA127							GKAF127							GK127							GKF127							GKA127							GKAF127							GK127							GKF127							GKA127							GKAF127							GK127							GKF127							GKA127							GKAF127							GK127							GKF127							GKA127							GKAF127							GK127							GKF127							GKA127							GKAF127							GK127							GKF127							GKA127							GKAF127							GK127							GKF127							GKA127							GKAF127							GK127							GKF127							GKA127							GKAF127							GK127							GKF127							GKA127							GKAF127							GK127							GKF127							GKA127							GKAF127							GK127							GKF127							GKA127							GKAF127							GK127							GKF127							GKA127							GKAF127							GK127							GKF127							GKA127							GKAF127							GK127							GKF127							GKA127							GKAF127							GK127							GKF127							GKA127							GKAF127							GK127							GKF127							GKA127							GKAF127							GK127							GKF127							GKA127							GKAF127							GK127							GKF127							GKA127							GKAF127							GK127							GKF127							GKA127							GKAF127							GK127							GKF127							GKA127							GKAF127							GK127							GKF127							GKA127							GKAF127							GK127							GKF127							GKA127							GKAF127							GK127							GKF127							GKA127							GKAF127							GK127							GKF127							GKA127							GKAF127							GK127							GKF127							GKA127							GKAF127							GK127							GKF127							GKA127							GKAF127							GK127							GKF127							GKA127							GKAF127							GK127							GKF127							GKA127							GKAF127							GK127							GKF127							GKA127							GKAF127							GK127							GKF127																																																																																																																																																																																																																																																																																																																																																																																																																																																																																																																								
					GKF127							GKA127							GKAF127							GK127							GKF127							GKA127							GKAF127							GK127							GKF127							GKA127							GKAF127							GK127							GKF127							GKA127							GKAF127							GK127							GKF127							GKA127							GKAF127							GK127							GKF127							GKA127							GKAF127							GK127							GKF127							GKA127							GKAF127							GK127							GKF127							GKA127							GKAF127							GK127							GKF127							GKA127							GKAF127							GK127							GKF127							GKA127							GKAF127							GK127							GKF127							GKA127							GKAF127							GK127							GKF127							GKA127							GKAF127							GK127							GKF127							GKA127							GKAF127							GK127							GKF127							GKA127							GKAF127							GK127							GKF127							GKA127							GKAF127							GK127							GKF127							GKA127							GKAF127							GK127							GKF127							GKA127							GKAF127							GK127							GKF127							GKA127							GKAF127							GK127							GKF127							GKA127							GKAF127							GK127							GKF127							GKA127							GKAF127							GK127							GKF127							GKA127							GKAF127							GK127							GKF127							GKA127							GKAF127							GK127							GKF127							GKA127							GKAF127							GK127							GKF127							GKA127							GKAF127							GK127							GKF127							GKA127							GKAF127							GK127							GKF127							GKA127							GKAF127							GK127							GKF127							GKA127							GKAF127							GK127							GKF127							GKA127							GKAF127							GK127							GKF127							GKA127							GKAF127							GK127							GKF127							GKA127							GKAF127							GK127							GKF127							GKA127							GKAF127							GK127							GKF127							GKA127							GKAF127							GK127							GKF127							GKA127							GKAF127							GK127							GKF127							GKA127							GKAF127							GK127							GKF127							GKA127							GKAF127							GK127							GKF127							GKA127							GKAF127							GK127							GKF127							GKA127							GKAF127							GK127							GKF127							GKA127							GKAF127							GK127							GKF127							GKA127							GKAF127							GK127							GKF127							GKA127							GKAF127							GK127							GKF127							GKA127							GKAF127							GK127							GKF127							GKA127							GKAF127							GK127							GKF127							GKA127							GKAF127							GK127							GKF127							GKA127							GKAF127							GK127							GKF127							GKA127							GKAF127							GK127							GKF127							GKA127							GKAF127							GK127							GKF127							GKA127							GKAF127							GK127							GKF127							GKA127							GKAF127							GK127							GKF127							GKA127							GKAF127							GK127							GKF127							GKA127							GKAF127							GK127							GKF127							GKA127							GKAF127							GK127							GKF127																																																																																																																																																																																																																																																																																																																																																																																																																																																																																																																															
					GKA127							GKAF127							GK127							GKF127							GKA127							GKAF127							GK127							GKF127							GKA127							GKAF127							GK127							GKF127							GKA127							GKAF127							GK127							GKF127							GKA127							GKAF127							GK127							GKF127							GKA127							GKAF127							GK127							GKF127							GKA127							GKAF127							GK127							GKF127							GKA127							GKAF127							GK127							GKF127							GKA127							GKAF127							GK127							GKF127							GKA127							GKAF127							GK127							GKF127							GKA127							GKAF127							GK127							GKF127							GKA127							GKAF127							GK127							GKF127							GKA127							GKAF127							GK127							GKF127							GKA127							GKAF127							GK127							GKF127							GKA127							GKAF127							GK127							GKF127							GKA127							GKAF127							GK127							GKF127							GKA127							GKAF127							GK127							GKF127							GKA127							GKAF127							GK127							GKF127							GKA127							GKAF127							GK127							GKF127							GKA127							GKAF127							GK127							GKF127							GKA127							GKAF127							GK127							GKF127							GKA127							GKAF127							GK127							GKF127							GKA127							GKAF127							GK127							GKF127							GKA127							GKAF127							GK127							GKF127							GKA127							GKAF127							GK127							GKF127							GKA127							GKAF127							GK127							GKF127							GKA127							GKAF127							GK127							GKF127							GKA127							GKAF127							GK127							GKF127							GKA127							GKAF127							GK127							GKF127							GKA127							GKAF127							GK127							GKF127							GKA127							GKAF127							GK127							GKF127							GKA127							GKAF127							GK127							GKF127							GKA127							GKAF127							GK127							GKF127							GKA127							GKAF127							GK127							GKF127							GKA127							GKAF127							GK127							GKF127							GKA127							GKAF127							GK127							GKF127							GKA127							GKAF127							GK127							GKF127							GKA127							GKAF127							GK127							GKF127							GKA127							GKAF127							GK127							GKF127							GKA127							GKAF127							GK127							GKF127							GKA127							GKAF127							GK127							GKF127							GKA127							GKAF127							GK127							GKF127							GKA127							GKAF127							GK127							GKF127							GKA127							GKAF127							GK127							GKF127							GKA127							GKAF127							GK127							GKF127							GKA127							GKAF127							GK127							GKF127							GKA127							GKAF127							GK127							GKF127							GKA127							GKAF127							GK127							GKF127							GKA127							GKAF127							GK127							GKF127							GKA127							GKAF127							GK127							GKF127							GKA127							GKAF127							GK127							GKF127																																																																																																																																																																																																																																																																																																																																																																																																																																																																																																																																						
					GKAF127																																																																																																																																																																																																																																																																																																																																																																																																																																																																																																																																																																																																																																																																																																																																																																																																																																																																																																																																																																																																																																																																																																																																																																																																																																																																																																																																																																																																																																																																																																																																																																																																																																																																																																																																																																																																																																																																																																																																																																																																																			
					GK127							GKF127							GKA127							GKAF127							GK127							GKF127							GKA127							GKAF127							GK127							GKF127							GKA127							GKAF127							GK127							GKF127							GKA127							GKAF127							GK127							GKF127							GKA127							GKAF127							GK127							GKF127							GKA127							GKAF127							GK127							GKF127							GKA127							GKAF127							GK127							GKF127							GKA127							GKAF127							GK127							GKF127							GKA127							GKAF127							GK127							GKF127							GKA127							GKAF127							GK127							GKF127							GKA127							GKAF127							GK127							GKF127							GKA127							GKAF127							GK127							GKF127							GKA127							GKAF127							GK127							GKF127							GKA127							GKAF127							GK127							GKF127							GKA127							GKAF127							GK127							GKF127							GKA127							GKAF127							GK127							GKF127							GKA127							GKAF127							GK127							GKF127							GKA127							GKAF127							GK127							GKF127							GKA127							GKAF127							GK127							GKF127							GKA127							GKAF127							GK127							GKF127							GKA127							GKAF127							GK127							GKF127							GKA127							GKAF127							GK127							GKF127							GKA127							GKAF127							GK127							GKF127							GKA127							GKAF127							GK127							GKF127							GKA127							GKAF127							GK127							GKF127							GKA127							GKAF127							GK127							GKF127							GKA127							GKAF127							GK127							GKF127							GKA127							GKAF127							GK127							GKF127							GKA127							GKAF127							GK127							GKF127							GKA127							GKAF127							GK127							GKF127							GKA127							GKAF127							GK127							GKF127							GKA127							GKAF127							GK127							GKF127							GKA127							GKAF127							GK127							GKF127							GKA127							GKAF127							GK127							GKF127							GKA127							GKAF127							GK127							GKF127							GKA127							GKAF127							GK127							GKF127							GKA127							GKAF127							GK127							GKF127							GKA127							GKAF127							GK127							GKF127							GKA127							GKAF127							GK127							GKF127							GKA127							GKAF127							GK127							GKF127							GKA127							GKAF127							GK127							GKF127							GKA127							GKAF127							GK127							GKF127							GKA127							GKAF127							GK127							GKF127							GKA127							GKAF127							GK127							GKF127							GKA127							GKAF127							GK127							GKF127							GKA127							GKAF127							GK127							GKF127							GKA127							GKAF127							GK127							GKF127							GKA127							GKAF127							GK127							GKF127							GKA127							GKAF127							GK127							GKF127							GKA127							GKAF127							GK127							GKF127																																																																																																																																																																																																																																																																																																																																																																																																																																																																																																																																																				
					GKF127							GKA127							GKAF127							GK127							GKF127							GKA127							GKAF127							GK127							GKF127							GKA127							GKAF127							GK127							GKF127							GKA127							GKAF127							GK127							GKF127							GKA127							GKAF127							GK127							GKF127							GKA127							GKAF127							GK127							GKF127							GKA127							GKAF127							GK127							GKF127							GKA127							GKAF127							GK127							GKF127							GKA127							GKAF127							GK127							GKF127							GKA127							GKAF127							GK127							GKF127							GKA127							GKAF127							GK127							GKF127							GKA127							GKAF127							GK127							GKF127							GKA127							GKAF127							GK127							GKF127							GKA127							GKAF127							GK127							GKF127							GKA127							GKAF127							GK127							GKF127							GKA127							GKAF127							GK127							GKF127							GKA127							GKAF127							GK127							GKF127							GKA127							GKAF127							GK127							GKF127							GKA127							GKAF127							GK127							GKF127							GKA127							GKAF127							GK127							GKF127							GKA127							GKAF127							GK127							GKF127							GKA127							GKAF127							GK127							GKF127							GKA127							GKAF127							GK127							GKF127							GKA127							GKAF127							GK127							GKF127							GKA127							GKAF127							GK127							GKF127							GKA127							GKAF127							GK127							GKF127							GKA127							GKAF127							GK127							GKF127							GKA127							GKAF127							GK127							GKF127							GKA127							GKAF127							GK127							GKF127							GKA127							GKAF127							GK127							GKF127							GKA127							GKAF127							GK127							GKF127							GKA127							GKAF127							GK127							GKF127							GKA127							GKAF127							GK127							GKF127							GKA127							GKAF127							GK127							GKF127							GKA127							GKAF127							GK127							GKF127							GKA127							GKAF127							GK127							GKF127							GKA127							GKAF127							GK127							GKF127							GKA127							GKAF127							GK127							GKF127							GKA127							GKAF127							GK127							GKF127							GKA127							GKAF127							GK127							GKF127							GKA127							GKAF127							GK127							GKF127							GKA127							GKAF127							GK127							GKF127							GKA127							GKAF127							GK127							GKF127							GKA127							GKAF127							GK127							GKF127							GKA127							GKAF127							GK127							GKF127							GKA127							GKAF127							GK127							GKF127							GKA127							GKAF127							GK127							GKF127							GKA127							GKAF127							GK127							GKF127							GKA127							GKAF127							GK127							GKF127							GKA127							GKAF127							GK127							GKF127																																																																																																																																																																																																																																																																																																																																																																																																																																																																																																																																																											
					GKA127							GKAF127							GK127							GKF127							GKA127							GKAF127							GK127							GKF127							GKA127							GKAF127							GK127							GKF127							GKA127							GKAF127							GK127							GKF127							GKA127							GKAF127							GK127							GKF127							GKA127							GKAF127							GK127							GKF127							GKA127							GKAF127							GK127							GKF127							GKA127							GKAF127							GK127							GKF127							GKA127							GKAF127							GK127							GKF127							GKA127							GKAF127							GK127							GKF127							GKA127							GKAF127							GK127							GKF127							GKA127							GKAF127							GK127							GKF127							GKA127							GKAF127							GK127							GKF127							GKA127							GKAF127							GK127							GKF127							GKA127							GKAF127							GK127							GKF127							GKA127							GKAF127							GK127							GKF127							GKA127							GKAF127							GK127							GKF127							GKA127							GKAF127							GK127							GKF127							GKA127							GKAF127							GK127							GKF127							GKA127							GKAF127							GK127							GKF127							GKA127							GKAF127							GK127							GKF127							GKA127							GKAF127							GK127							GKF127							GKA127							GKAF127							GK127							GKF127							GKA127							GKAF127							GK127							GKF127							GKA127							GKAF127							GK127							GKF127							GKA127							GKAF127							GK127							GKF127							GKA127							GKAF127							GK127							GKF127							GKA127							GKAF127							GK127							GKF127							GKA127							GKAF127							GK127							GKF127							GKA127							GKAF127							GK127							GKF127							GKA127							GKAF127							GK127							GKF127							GKA127							GKAF127							GK127							GKF127							GKA127							GKAF127							GK127							GKF127							GKA127							GKAF127							GK127							GKF127							GKA127							GKAF127							GK127							GKF127							GKA127							GKAF127							GK127							GKF127							GKA127							GKAF127							GK127							GKF127							GKA127							GKAF127							GK127							GKF127							GKA127							GKAF127							GK127							GKF127							GKA127							GKAF127							GK127							GKF127							GKA127							GKAF127							GK127							GKF127							GKA127							GKAF127							GK127							GKF127							GKA127							GKAF127							GK127							GKF127							GKA127							GKAF127							GK127							GKF127							GKA127							GKAF127							GK127							GKF127							GKA127							GKAF127							GK127							GKF127							GKA127							GKAF127							GK127							GKF127							GKA127							GKAF127							GK127							GKF127							GKA127							GKAF127							GK127							GKF127							GKA127							GKAF127							GK127							GKF127																																																																																																																																																																																																																																																																																																																																																																																																																																																																																																																																																																		
					GKAF127																																																																																																																																																																																																																																																																																																																																																																																																																																																																																																																																																																																																																																																																																																																																																																																																																																																																																																																																																																																																																																																																																																																																																																																																																																																																																																																																																																																																																																																																																																																																																																																																																																																																																																																																																																																																																																																																																																																																																																																																																			
					GK127							GKF127							GKA127							GKAF127							GK127							GKF127							GKA127							GKAF127							GK127							GKF127							GKA127							GKAF127							GK127							GKF127							GKA127							GKAF127							GK127							GKF127							GKA127							GKAF127							GK127							GKF127							GKA127							GKAF127							GK127							GKF127							GKA127							GKAF127							GK127							GKF127							GKA127							GKAF127							GK127							GKF127							GKA127							GKAF127							GK127							GKF127							GKA127							GKAF127							GK127							GKF127							GKA127							GKAF127							GK127							GKF127							GKA127							GKAF127							GK127							GKF127							GKA127							GKAF127							GK127							GKF127							GKA127							GKAF127							GK127							GKF127							GKA127							GKAF127							GK127							GKF127							GKA127							GKAF127							GK127							GKF127							GKA127							GKAF127							GK127							GKF127							GKA127							GKAF127							GK127							GKF127							GKA127							GKAF127							GK127							GKF127							GKA127							GKAF127							GK127							GKF127							GKA127							GKAF127							GK127							GKF127							GKA127							GKAF127							GK127							GKF127							GKA127							GKAF127							GK127							GKF127							GKA127							GKAF127							GK127							GKF127							GKA127							GKAF127							GK127							GKF127							GKA127							GKAF127							GK127							GKF127							GKA127							GKAF127							GK127							GKF127							GKA127							GKAF127							GK127							GKF127							GKA127							GKAF127							GK127							GKF127							GKA127							GKAF127							GK127							GKF127							GKA127							GKAF127							GK127							GKF127							GKA127							GKAF127							GK127							GKF127							GKA127							GKAF127							GK127							GKF127							GKA127							GKAF127							GK127							GKF127							GKA127							GKAF127							GK127							GKF127							GKA127							GKAF127							GK127							GKF127							GKA127							GKAF127							GK127							GKF127							GKA127							GKAF127							GK127							GKF127							GKA127							GKAF127							GK127							GKF127							GKA127							GKAF127							GK127							GKF127							GKA127							GKAF127							GK127							GKF127							GKA127							GKAF127							GK127							GKF127							GKA127							GKAF127							GK127							GKF127							GKA127							GKAF127							GK127							GKF127							GKA127							GKAF127							GK127							GKF127							GKA127							GKAF127							GK127							GKF127							GKA127							GKAF127							GK127							GKF127							GKA127							GKAF127							GK127							GKF127							GKA127							GKAF127							GK127							GKF127																																																																																																																																																																																																																																																																																																																																																																																																																																																																																																																																																																																
					GKF127							GKA127							GKAF127							GK127							GKF127							GKA127							GKAF127							GK127							GKF127							GKA127							GKAF127							GK127							GKF127							GKA127							GKAF127							GK127							GKF127							GKA127							GKAF127							GK127							GKF127							GKA127							GKAF127							GK127							GKF127							GKA127							GKAF127							GK127							GKF127							GKA127							GKAF127							GK127							GKF127							GKA127							GKAF127							GK127							GKF127							GKA127							GKAF127							GK127							GKF127							GKA127							GKAF127							GK127							GKF127							GKA127							GKAF127							GK127							GKF127							GKA127							GKAF127							GK127							GKF127							GKA127							GKAF127							GK127							GKF127							GKA127							GKAF127							GK127							GKF127							GKA127							GKAF127							GK127							GKF127							GKA127							GKAF127							GK127							GKF127							GKA127							GKAF127							GK127							GKF127							GKA127							GKAF127							GK127							GKF127							GKA127							GKAF127							GK127							GKF127							GKA127							GKAF127							GK127							GKF127							GKA127							GKAF127							GK127							GKF127							GKA127							GKAF127							GK127							GKF127							GKA127							GKAF127							GK127							GKF127							GKA127							GKAF127							GK127							GKF127							GKA127							GKAF127							GK127							GKF127							GKA127							GKAF127							GK127							GKF127							GKA127							GKAF127							GK127							GKF127							GKA127							GKAF127							GK127							GKF127							GKA127							GKAF127							GK127							GKF127							GKA127							GKAF127							GK127							GKF127							GKA127							GKAF127							GK127							GKF127							GKA127							GKAF127							GK127							GKF127							GKA127							GKAF127							GK127							GKF127							GKA127							GKAF127							GK127							GKF127							GKA127							GKAF127							GK127							GKF127							GKA127							GKAF127							GK127							GKF127							GKA127							GKAF127							GK127							GKF127							GKA127							GKAF127							GK127							GKF127							GKA127							GKAF127							GK127							GKF127							GKA127							GKAF127							GK127							GKF127							GKA127							GKAF127							GK127							GKF127							GKA127							GKAF127							GK127							GKF127							GKA127							GKAF127							GK127							GKF127							GKA127							GKAF127							GK127							GKF127							GKA127							GKAF127							GK127							GKF127							GKA127							GKAF127							GK127							GKF127							GKA127							GKAF127							GK127							GKF127							GKA127							GKAF127							GK127							GKF127																																																																																																																																																																																																																																																																																																																																																																																																																																																																																																																																																																																							
					GKA127							GKAF127							GK127							GKF127							GKA127							GKAF127							GK127							GKF127							GKA127							GKAF127							GK127							GKF127							GKA127							GKAF127							GK127							GKF127							GKA127							GKAF127							GK127							GKF127							GKA127							GKAF127							GK127							GKF127							GKA127							GKAF127							GK127							GKF127							GKA127							GKAF127							GK127							GKF127							GKA127							GKAF127							GK127							GKF127							GKA127							GKAF127							GK127							GKF127							GKA127							GKAF127							GK127							GKF127							GKA127							GKAF127							GK127							GKF127							GKA127							GKAF127							GK127							GKF127							GKA127							GKAF127							GK127							GKF127							GKA127							GKAF127							GK127							GKF127							GKA127							GKAF127							GK127							GKF127							GKA127							GKAF127							GK127							GKF127							GKA127							GKAF127							GK127							GKF127							GKA127							GKAF127							GK127							GKF127							GKA127							GKAF127							GK127							GKF127							GKA127							GKAF127							GK127							GKF127							GKA127							GKAF127							GK127							GKF127							GKA127							GKAF127							GK127							GKF127							GKA127							GKAF127							GK127							GKF127							GKA127							GKAF127							GK127							GKF127							GKA127							GKAF127							GK127							GKF127							GKA127							GKAF127							GK127							GKF127							GKA127							GKAF127							GK127							GKF127							GKA127							GKAF127							GK127							GKF127							GKA127							GKAF127							GK127							GKF127							GKA127							GKAF127							GK127							GKF127							GKA127							GKAF127							GK127							GKF127							GKA127							GKAF127							GK127							GKF127							GKA127							GKAF127							GK127							GKF127							GKA127							GKAF127							GK127							GKF127							GKA127							GKAF127							GK127							GKF127							GKA127							GKAF127							GK127							GKF127							GKA127							GKAF127							GK127							GKF127							GKA127							GKAF127							GK127							GKF127							GKA127							GKAF127							GK127							GKF127							GKA127							GKAF127							GK127							GKF127							GKA127							GKAF127							GK127							GKF127							GKA127							GKAF127							GK127							GKF127							GKA127							GKAF127							GK127							GKF127							GKA127							GKAF127							GK127							GKF127							GKA127							GKAF127							GK127							GKF127							GKA127							GKAF127							GK127							GKF127							GKA127							GKAF127							GK127							GKF127							GKA127							GKAF127							GK127							GKF127																																																																																																																																																																																																																																																																																																																																																																																																																																																																																																																																																																																														
					GKAF127																																																																																																																																																																																																																																																																																																																																																																																																																																																																																																																																																																																																																																																																																																																																																																																																																																																																																																																																																																																																																																																																																																																																																																																																																																																																																																																																																																																																																																																																																																																																																																																																																																																																																																																																																																																																																																																																																																																																																																																																																			
					GK127							GKF127							GKA127							GKAF127							GK127							GKF127							GKA127							GKAF127							GK127							GKF127							GKA127							GKAF127							GK127							GKF127							GKA127							GKAF127							GK127							GKF127							GKA127							GKAF127							GK127							GKF127							GKA127							GKAF127							GK127							GKF127							GKA127							GKAF127							GK127							GKF127							GKA127							GKAF127							GK127							GKF127							GKA127							GKAF127							GK127							GKF127							GKA127							GKAF127							GK127							GKF127							GKA127							GKAF127							GK127							GKF127							GKA127							GKAF127							GK127							GKF127							GKA127							GKAF127							GK127							GKF127							GKA127							GKAF127							GK127							GKF127							GKA127							GKAF127							GK127							GKF127							GKA127							GKAF127							GK127							GKF127							GKA127							GKAF127							GK127							GKF127							GKA127							GKAF127							GK127							GKF127							GKA127							GKAF127							GK127							GKF127							GKA127							GKAF127							GK127							GKF127							GKA127							GKAF127							GK127							GKF127							GKA127							GKAF127							GK127							GKF127							GKA127							GKAF127							GK127							GKF127							GKA127							GKAF127							GK127							GKF127							GKA127							GKAF127							GK127							GKF127							GKA127							GKAF127							GK127							GKF127							GKA127							GKAF127							GK127							GKF127							GKA127							GKAF127							GK127							GKF127							GKA127							GKAF127							GK127							GKF127							GKA127							GKAF127							GK127							GKF127							GKA127							GKAF127							GK127							GKF127							GKA127							GKAF127							GK127							GKF127							GKA127							GKAF127							GK127							GKF127							GKA127							GKAF127							GK127							GKF127							GKA127							GKAF127							GK127							GKF127							GKA127							GKAF127							GK127							GKF127							GKA127							GKAF127							GK127							GKF127							GKA127							GKAF127							GK127							GKF127							GKA127							GKAF127							GK127							GKF127							GKA127							GKAF127							GK127							GKF127							GKA127							GKAF127							GK127							GKF127							GKA127							GKAF127							GK127							GKF127							GKA127							GKAF127							GK127							GKF127							GKA127							GKAF127							GK127							GKF127							GKA127							GKAF127							GK127							GKF127							GKA127							GKAF127							GK127							GKF127							GKA127							GKAF127							GK127							GKF127							GKA127							GKAF127							GK127							GKF127																																																																																																																																																																																																																																																																																																																																																																																																																																																																																																																																																																																																												
					GKF127							GKA127							GKAF127							GK127							GKF127							GKA127							GKAF127							GK127							GKF127							GKA127							GKAF127							GK127							GKF127							GKA127							GKAF127							GK127							GKF127							GKA127							GKAF127							GK127							GKF127							GKA127							GKAF127							GK127							GKF127							GKA127							GKAF127							GK127							GKF127							GKA127							GKAF127							GK127							GKF127							GKA127							GKAF127							GK127							GKF127							GKA127							GKAF127							GK127							GKF127							GKA127							GKAF127							GK127							GKF127							GKA127							GKAF127							GK127							GKF127							GKA127							GKAF127							GK127							GKF127							GKA127							GKAF127							GK127							GKF127							GKA127							GKAF127							GK127							GKF127							GKA127							GKAF127							GK127							GKF127							GKA127							GKAF127							GK127							GKF127							GKA127							GKAF127							GK127							GKF127							GKA127							GKAF127							GK127							GKF127							GKA127							GKAF127							GK127							GKF127							GKA127							GKAF127							GK127							GKF127							GKA127							GKAF127							GK127							GKF127							GKA127							GKAF127							GK127							GKF127							GKA127							GKAF127							GK127							GKF127							GKA127							GKAF127							GK127							GKF127							GKA127							GKAF127							GK127							GKF127							GKA127							GKAF127							GK127							GKF127							GKA127							GKAF127							GK127							GKF127							GKA127							GKAF127							GK127							GKF127							GKA127							GKAF127							GK127							GKF127							GKA127							GKAF127							GK127							GKF127							GKA127							GKAF127							GK127							GKF127							GKA127							GKAF127							GK127							GKF127							GKA127							GKAF127							GK127							GKF127							GKA127							GKAF127							GK127							GKF127							GKA127							GKAF127							GK127							GKF127							GKA127							GKAF127							GK127							GKF127							GKA127							GKAF127							GK127							GKF127							GKA127							GKAF127							GK127							GKF127							GKA127							GKAF127							GK127							GKF127							GKA127							GKAF127							GK127							GKF127							GKA127							GKAF127							GK127							GKF127							GKA127							GKAF127							GK127							GKF127							GKA127							GKAF127							GK127							GKF127							GKA127							GKAF127							GK127							GKF127							GKA127							GKAF127							GK127							GKF127							GKA127							GKAF127							GK127							GKF127							GKA127							GKAF127							GK127							GKF127																																																																																																																																																																																																																																																																																																																																																																																																																																																																																																																																																																																																																			
					GKA127							GKAF127							GK127							GKF127							GKA127							GKAF127							GK127							GKF127							GKA127							GKAF127							GK127							GKF127							GKA127							GKAF127							GK127							GKF127							GKA127							GKAF127							GK127							GKF127							GKA127							GKAF127							GK127							GKF127							GKA127							GKAF127							GK127							GKF127							GKA127							GKAF127							GK127							GKF127							GKA127							GKAF127							GK127							GKF127							GKA127							GKAF127							GK127							GKF127							GKA127							GKAF127							GK127							GKF127							GKA127							GKAF127							GK127							GKF127							GKA127							GKAF127							GK127							GKF127							GKA127							GKAF127							GK127							GKF127							GKA127							GKAF127							GK127							GKF127							GKA127							GKAF127							GK127							GKF127							GKA127							GKAF127							GK127							GKF127							GKA127							GKAF127							GK127							GKF127							GKA127							GKAF127							GK127							GKF127							GKA127							GKAF127							GK127							GKF127							GKA127							GKAF127							GK127							GKF127							GKA127							GKAF127							GK127							GKF127							GKA127							GKAF127							GK127							GKF127							GKA127							GKAF127							GK127							GKF127							GKA127							GKAF127							GK127							GKF127							GKA127							GKAF127							GK127							GKF127							GKA127							GKAF127							GK127							GKF127							GKA127							GKAF127							GK127							GKF127							GKA127							GKAF127							GK127							GKF127							GKA127							GKAF127							GK127							GKF127							GKA127							GKAF127							GK127							GKF127							GKA127							GKAF127							GK127							GKF127							GKA127							GKAF127							GK127							GKF127							GKA127							GKAF127							GK127							GKF127							GKA127							GKAF127							GK127							GKF127							GKA127							GKAF127							GK127							GKF127							GKA127							GKAF127							GK127							GKF127							GKA127							GKAF127							GK127							GKF127							GKA127							GKAF127							GK127							GKF127							GKA127							GKAF127							GK127							GKF127							GKA127							GKAF127							GK127							GKF127							GKA127							GKAF127							GK127							GKF127							GKA127							GKAF127							GK127							GKF127							GKA127							GKAF127							GK127							GKF127							GKA127							GKAF127							GK127							GKF127							GKA127							GKAF127							GK127							GKF127							GKA127							GKAF127							GK127							GKF127							GKA127							GKAF127							GK127							GKF127																																																																																																																																																																																																																																																																																																																																																																																																																																																																																																																																																																																																																										
					GKAF127																																																																																																																																																																																																																																																																																																																																																																																																																																																																																																																																																																																																																																																																																																																																																																																																																																																																																																																																																																																																																																																																																																																																																																																																																																																																																																																																																																																																																																																																																																																																																																																																																																																																																																																																																																																																																																																																																																																																																																																																																			
					GK127							GKF127							GKA127							GKAF127							GK127							GKF127							GKA127							GKAF127							GK127							GKF127							GKA127							GKAF127							GK127							GKF127							GKA127							GKAF127							GK127							GKF127							GKA127							GKAF127							GK127							GKF127							GKA127							GKAF127							GK127							GKF127							GKA127							GKAF127							GK127							GKF127							GKA127							GKAF127							GK127							GKF127							GKA127							GKAF127							GK127							GKF127							GKA127							GKAF127							GK127							GKF127							GKA127							GKAF127							GK127							GKF127							GKA127							GKAF127							GK127							GKF127							GKA127							GKAF127							GK127							GKF127							GKA127							GKAF127							GK127							GKF127							GKA127							GKAF127							GK127							GKF127							GKA127							GKAF127							GK127							GKF127							GKA127							GKAF127							GK127							GKF127							GKA127							GKAF127							GK127							GKF127							GKA127							GKAF127							GK127							GKF127							GKA127							GKAF127							GK127							GKF127							GKA127							GKAF127							GK127							GKF127							GKA127							GKAF127							GK127							GKF127							GKA127							GKAF127							GK127							GKF127							GKA127							GKAF127							GK127							GKF127							GKA127							GKAF127							GK127							GKF127							GKA127							GKAF127							GK127							GKF127							GKA127							GKAF127							GK127							GKF127							GKA127							GKAF127							GK127							GKF127							GKA127							GKAF127							GK127							GKF127							GKA127							GKAF127							GK127							GKF127							GKA127							GKAF127							GK127							GKF127							GKA127							GKAF127							GK127							GKF127							GKA127							GKAF127							GK127							GKF127							GKA127							GKAF127							GK127							GKF127							GKA127							GKAF127							GK127							GKF127							GKA127							GKAF127							GK127							GKF127							GKA127							GKAF127							GK127							GKF127							GKA127							GKAF127							GK127							GKF127							GKA127							GKAF127							GK127							GKF127							GKA127							GKAF127							GK127							GKF127							GKA127							GKAF127							GK127							GKF127							GKA127							GKAF127							GK127							GKF127							GKA127							GKAF127							GK127							GKF127							GKA127							GKAF127							GK127							GKF127							GKA127							GKAF127							GK127							GKF127							GKA127							GKAF127							GK127							GKF127							GKA127							GKAF127							GK127							GKF127																																																																																																																																																																																																																																																																																																																																																																																																																																																																																																																																																																																																																																								
					GKF127							GKA127							GKAF127							GK127							GKF127							GKA127							GKAF127							GK127							GKF127							GKA127							GKAF127							GK127							GKF127							GKA127							GKAF127							GK127							GKF127							GKA127							GKAF127							GK127							GKF127							GKA127							GKAF127							GK127							GKF127							GKA127							GKAF127							GK127							GKF127							GKA127							GKAF127							GK127							GKF127							GKA127							GKAF127							GK127							GKF127							GKA127							GKAF127							GK127							GKF127							GKA127							GKAF127							GK127							GKF127							GKA127							GKAF127							GK127							GKF127							GKA127							GKAF127							GK127							GKF127							GKA127							GKAF127							GK127							GKF127							GKA127							GKAF127							GK127							GKF127							GKA127							GKAF127							GK127							GKF127							GKA127							GKAF127							GK127							GKF127							GKA127							GKAF127							GK127							GKF127							GKA127							GKAF127							GK127							GKF127							GKA127							GKAF127							GK127							GKF127							GKA127							GKAF127							GK127							GKF127							GKA127							GKAF127							GK127							GKF127							GKA127							GKAF127							GK127							GKF127							GKA127							GKAF127							GK127							GKF127							GKA127							GKAF127							GK127							GKF127							GKA127							GKAF127							GK127							GKF127							GKA127							GKAF127							GK127							GKF127							GKA127							GKAF127							GK127							GKF127							GKA127							GKAF127							GK127							GKF127							GKA127							GKAF127							GK127							GKF127							GKA127							GKAF127							GK127							GKF127							GKA127							GKAF127							GK127							GKF127							GKA127							GKAF127							GK127							GKF127							GKA127							GKAF127							GK127							GKF127							GKA127							GKAF127							GK127							GKF127							GKA127							GKAF127							GK127							GKF127							GKA127							GKAF127							GK127							GKF127							GKA127							GKAF127							GK127							GKF127							GKA127							GKAF127							GK127							GKF127							GKA127							GKAF127							GK127							GKF127							GKA127							GKAF127							GK127							GKF127							GKA127							GKAF127							GK127							GKF127							GKA127							GKAF127							GK127							GKF127							GKA127							GKAF127							GK127							GKF127							GKA127							GKAF127							GK127							GKF127							GKA127							GKAF127							GK127							GKF127							GKA127							GKAF127							GK127							GKF127																																																																																																																																																																																																																																																																																																																																																																																																																																																																																																																																																																																																																																															
					GKA127							GKAF127							GK127							GKF127							GKA127							GKAF127							GK127							GKF127							GKA127							GKAF127							GK127							GKF127							GKA127							GKAF127							GK127							GKF127							GKA127							GKAF127							GK127							GKF127							GKA127							GKAF127							GK127							GKF127							GKA127							GKAF127							GK127							GKF127							GKA127							GKAF127							GK127							GKF127							GKA127							GKAF127							GK127							GKF127							GKA127							GKAF127							GK127							GKF127							GKA127							GKAF127							GK127							GKF127							GKA127							GKAF127							GK127							GKF127							GKA127							GKAF127							GK127							GKF127							GKA127							GKAF127							GK127							GKF127							GKA127							GKAF127							GK127							GKF127							GKA127							GKAF127							GK127							GKF127							GKA127							GKAF127							GK127							GKF127							GKA127							GKAF127							GK127							GKF127							GKA127							GKAF127							GK127							GKF127							GKA127							GKAF127							GK127							GKF127							GKA127							GKAF127							GK127							GKF127							GKA127							GKAF127							GK127							GKF127							GKA127							GKAF127							GK127							GKF127							GKA127							GKAF127							GK127							GKF127							GKA127							GKAF127							GK127							GKF127							GKA127							GKAF127							GK127							GKF127							GKA127							GKAF127							GK127							GKF127							GKA127							GKAF127							GK127							GKF127							GKA127							GKAF127							GK127							GKF127							GKA127							GKAF127							GK127							GKF127							GKA127							GKAF127							GK127							GKF127							GKA127							GKAF127							GK127							GKF127							GKA127							GKAF127							GK127							GKF127							GKA127							GKAF127							GK127							GKF127							GKA127							GKAF127							GK127							GKF127							GKA127							GKAF127							GK127							GKF127							GKA127							GKAF127							GK127							GKF127							GKA127							GKAF127							GK127							GKF127							GKA127							GKAF127							GK127							GKF127							GKA127							GKAF127							GK127							GKF127							GKA127							GKAF127							GK127							GKF127							GKA127							GKAF127							GK127							GKF127							GKA127							GKAF127							GK127							GKF127							GKA127							GKAF127							GK127							GKF127							GKA127							GKAF127							GK127							GKF127							GKA127							GKAF127							GK127							GKF127							GKA127							GKAF127							GK127							GKF127																																																																																																																																																																																																																																																																																																																																																																																																																																																																																																																																																																																																																																																						
					GKAF127																																																																																																																																																																																																																																																																																																																																																																																																																																																																																																																																																																																																																																																																																																																																																																																																																																																																																																																																																																																																																																																																																																																																																																																																																																																																																																																																																																																																																																																																																																																																																																																																																																																																																																																																																																																																																																																																																																																																																																																																																			
					GK127							GKF127							GKA127							GKAF127							GK127							GKF127							GKA127							GKAF127							GK127							GKF127							GKA127							GKAF127							GK127							GKF127							GKA127							GKAF127							GK127							GKF127							GKA127							GKAF127							GK127							GKF127							GKA127							GKAF127							GK127							GKF127							GKA127							GKAF127							GK127							GKF127							GKA127							GKAF127							GK127							GKF127							GKA127							GKAF127							GK127							GKF127							GKA127							GKAF127							GK127							GKF127							GKA127							GKAF127							GK127							GKF127							GKA127							GKAF127							GK127							GKF127							GKA127							GKAF127							GK127							GKF127							GKA127							GKAF127							GK127							GKF127							GKA127							GKAF127							GK127							GKF127							GKA127							GKAF127							GK127							GKF127							GKA127							GKAF127							GK127							GKF127							GKA127							GKAF127							GK127							GKF127							GKA127							GKAF127							GK127							GKF127							GKA127							GKAF127							GK127							GKF127							GKA127							GKAF127							GK127							GKF127							GKA127							GKAF127							GK127							GKF127							GKA127							GKAF127							GK127							GKF127							GKA127							GKAF127							GK127							GKF127							GKA127							GKAF127							GK127							GKF127							GKA127							GKAF127							GK127							GKF127							GKA127							GKAF127							GK127							GKF127							GKA127							GKAF127							GK127							GKF127							GKA127							GKAF127							GK127							GKF127							GKA127							GKAF127							GK127							GKF127							GKA127							GKAF127							GK127							GKF127							GKA127							GKAF127							GK127							GKF127							GKA127							GKAF127							GK127							GKF127							GKA127							GKAF127							GK127							GKF127							GKA127							GKAF127							GK127							GKF127							GKA127							GKAF127							GK127							GKF127							GKA127							GKAF127							GK127							GKF127							GKA127							GKAF127							GK127							GKF127							GKA127							GKAF127							GK127							GKF127							GKA127							GKAF127							GK127							GKF127							GKA127							GKAF127							GK127							GKF127							GKA127							GKAF127							GK127							GKF127							GKA127							GKAF127							GK127							GKF127							GKA127							GKAF127							GK127							GKF127							GKA127							GKAF127							GK127							GKF127							GKA127							GKAF127							GK127							GKF127																																																																																																																																																																																																																																																																																																																																																																																																																																																																																																																																																																																																																																																																				
					GKF127							GKA127							GKAF127							GK127							GKF127							GKA127							GKAF127							GK127							GKF127							GKA127							GKAF127							GK127							GKF127							GKA127							GKAF127							GK127							GKF127							GKA127							GKAF127							GK127							GKF127							GKA127							GKAF127							GK127							GKF127							GKA127							GKAF127							GK127							GKF127							GKA127							GKAF127							GK127							GKF127							GKA127							GKAF127							GK127							GKF127							GKA127							GKAF127							GK127							GKF127							GKA127							GKAF127							GK127							GKF127							GKA127							GKAF127							GK127							GKF127							GKA127							GKAF127							GK127							GKF127							GKA127							GKAF127							GK127							GKF127							GKA127							GKAF127							GK127							GKF127							GKA127							GKAF127							GK127							GKF127							GKA127							GKAF127							GK127							GKF127							GKA127							GKAF127							GK127							GKF127							GKA127							GKAF127							GK127							GKF127							GKA127							GKAF127							GK127							GKF127							GKA127							GKAF127							GK127							GKF127							GKA127							GKAF127							GK127							GKF127							GKA127							GKAF127							GK127							GKF127							GKA127							GKAF127							GK127							GKF127							GKA127							GKAF127							GK127							GKF127							GKA127							GKAF127							GK127							GKF127							GKA127							GKAF127							GK127							GKF127							GKA127							GKAF127							GK127							GKF127							GKA127							GKAF127							GK127							GKF127							GKA127							GKAF127							GK127							GKF127							GKA127							GKAF127							GK127							GKF127							GKA127							GKAF127							GK127							GKF127							GKA127							GKAF127							GK127							GKF127							GKA127							GKAF127							GK127							GKF127							GKA127							GKAF127							GK127							GKF127							GKA127							GKAF127							GK127							GKF127							GKA127							GKAF127							GK127							GKF127							GKA127							GKAF127							GK127							GKF127							GKA127							GKAF127							GK127							GKF127							GKA127							GKAF127							GK127							GKF127							GKA127							GKAF127							GK127							GKF127							GKA127							GKAF127							GK127							GKF127							GKA127							GKAF127							GK127							GKF127							GKA127							GKAF127							GK127							GKF127							GKA127							GKAF127							GK127							GKF127							GKA127							GKAF127							GK127							GKF127																																																																																																																																																																																																																																																																																																																																																																																																																																																																																																																																																																																																																																																																											
					GKA127							GKAF127							GK127							GKF127							GKA127							GKAF127							GK127							GKF127							GKA127							GKAF127							GK127							GKF127							GKA127							GKAF127							GK127							GKF127							GKA127							GKAF127							GK127							GKF127							GKA127							GKAF127							GK127							GKF127							GKA127							GKAF127							GK127							GKF127							GKA127							GKAF127							GK127							GKF127							GKA127							GKAF127							GK127							GKF127							GKA127							GKAF127							GK127							GKF127							GKA127							GKAF127							GK127							GKF127							GKA127							GKAF127							GK127							GKF127							GKA127							GKAF127							GK127							GKF127							GKA127							GKAF127							GK127							GKF127							GKA127							GKAF127							GK127							GKF127							GKA127							GKAF127							GK127							GKF127							GKA127							GKAF127							GK127							GKF127							GKA127							GKAF127							GK127							GKF127							GKA127							GKAF127							GK127							GKF127							GKA127							GKAF127							GK127							GKF127							GKA127							GKAF127							GK127							GKF127							GKA127							GKAF127							GK127							GKF127							GKA127							GKAF127							GK127							GKF127							GKA127							GKAF127							GK127							GKF127							GKA127							GKAF127							GK127							GKF127							GKA127							GKAF127							GK127							GKF127							GKA127							GKAF127							GK127							GKF127							GKA127							GKAF127							GK127							GKF127							GKA127							GKAF127							GK127							GKF127							GKA127							GKAF127							GK127							GKF127							GKA127							GKAF127							GK127							GKF127							GKA127							GKAF127							GK127							GKF127							GKA127							GKAF127							GK127							GKF127							GKA127							GKAF127							GK127							GKF127							GKA127							GKAF127							GK127							GKF127							GKA127							GKAF127							GK127							GKF127							GKA127							GKAF127							GK127							GKF127							GKA127							GKAF127							GK127							GKF127							GKA127							GKAF127							GK127							GKF127							GKA127							GKAF127							GK127							GKF127							GKA127							GKAF127							GK127							GKF127							GKA127							GKAF127							GK127							GKF127							GKA127							GKAF127							GK127							GKF127							GKA127							GKAF127							GK127							GKF127							GKA127							GKAF127							GK127							GKF127							GKA127							GKAF127							GK127							GKF127																																																																																																																																																																																																																																																																																																																																																																																																																																																																																																																																																																																																																																																																																		
					GKAF127																																																																																																																																																																																																																																																																																																																																																																																																																																																																																																																																																																																																																																																																																																																																																																																																																																																																																																																																																																																																																																																																																																																																																																																																																																																																																																																																																																																																																																																																																																																																																																																																																																																																																																																																																																																																																																																																																																																																																																																																																			
					GK127							GKF127							GKA127							GKAF127							GK127							GKF127							GKA127							GKAF127							GK127							GKF127							GKA127							GKAF127							GK127							GKF127							GKA127							GKAF127							GK127							GKF127							GKA127							GKAF127							GK127							GKF127							GKA127							GKAF127							GK127							GKF127							GKA127							GKAF127							GK127							GKF127							GKA127							GKAF127							GK127							GKF127							GKA127							GKAF127							GK127							GKF127							GKA127							GKAF127							GK127							GKF127							GKA127							GKAF127							GK127							GKF127							GKA127							GKAF127							GK127							GKF127							GKA127							GKAF127							GK127							GKF127							GKA127							GKAF127							GK127							GKF127							GKA127							GKAF127							GK127							GKF127							GKA127							GKAF127							GK127							GKF127							GKA127							GKAF127							GK127							GKF127							GKA127							GKAF127							GK127							GKF127							GKA127							GKAF127							GK127							GKF127							GKA127							GKAF127							GK127							GKF127							GKA127							GKAF127							GK127							GKF127							GKA127							GKAF127							GK127							GKF127							GKA127							GKAF127							GK127							GKF127							GKA127							GKAF127							GK127							GKF127							GKA127							GKAF127							GK127							GKF127							GKA127							GKAF127							GK127							GKF127							GKA127							GKAF127							GK127							GKF127							GKA127							GKAF127							GK127							GKF127							GKA127							GKAF127							GK127							GKF127							GKA127							GKAF127							GK127							GKF127							GKA127							GKAF127							GK127							GKF127							GKA127							GKAF127							GK127							GKF127							GKA127							GKAF127							GK127							GKF127							GKA127							GKAF127							GK127							GKF127							GKA127							GKAF127							GK127							GKF127							GKA127							GKAF127							GK127							GKF127							GKA127							GKAF127							GK127							GKF127							GKA127							GKAF127							GK127							GKF127							GKA127							GKAF127							GK127							GKF127							GKA127							GKAF127							GK127							GKF127							GKA127							GKAF127							GK127							GKF127							GKA127							GKAF127							GK127							GKF127							GKA127							GKAF127							GK127							GKF127							GKA127							GKAF127							GK127							GKF127							GKA127							GKAF127							GK127							GKF127																																																																																																																																																																																																																																																																																																																																																																																																																																																																																																																																																																																																																																																																																																
					GKF127							GKA127							GKAF127							GK127							GKF127							GKA127							GKAF127							GK127							GKF127							GKA127							GKAF127							GK127							GKF127							GKA127							GKAF127							GK127							GKF127							GKA127							GKAF127							GK127							GKF127							GKA127							GKAF127							GK127							GKF127							GKA127							GKAF127							GK127							GKF127							GKA127							GKAF127							GK127							GKF127							GKA127							GKAF127							GK127							GKF127							GKA127							GKAF127							GK127							GKF127							GKA127							GKAF127							GK127							GKF127							GKA127							GKAF127							GK127							GKF127							GKA127							GKAF127							GK127							GKF127							GKA127							GKAF127							GK127							GKF127							GKA127							GKAF127							GK127							GKF127							GKA127							GKAF127							GK127							GKF127							GKA127							GKAF127							GK127							GKF127							GKA127							GKAF127							GK127							GKF127							GKA127							GKAF127							GK127							GKF127							GKA127							GKAF127							GK127							GKF127							GKA127							GKAF127							GK127							GKF127							GKA127							GKAF127							GK127							GKF127							GKA127							GKAF127							GK127							GKF127							GKA127							GKAF127							GK127							GKF127							GKA127							GKAF127							GK127							GKF127							GKA127							GKAF127							GK127							GKF127							GKA127							GKAF127							GK127							GKF127							GKA127							GKAF127							GK127							GKF127							GKA127							GKAF127							GK127							GKF127							GKA127							GKAF127							GK127							GKF127							GKA127							GKAF127							GK127							GKF127							GKA127							GKAF127							GK127							GKF127							GKA127							GKAF127							GK127							GKF127							GKA127							GKAF127							GK127							GKF127							GKA127							GKAF127							GK127							GKF127							GKA127							GKAF127							GK127							GKF127							GKA127							GKAF127							GK127							GKF127							GKA127							GKAF127							GK127							GKF127							GKA127							GKAF127							GK127							GKF127							GKA127							GKAF127							GK127							GKF127							GKA127							GKAF127							GK127							GKF127							GKA127							GKAF127							GK127							GKF127							GKA127							GKAF127							GK127							GKF127							GKA127							GKAF127							GK127							GKF127							GKA127							GKAF127							GK127							GKF127																																																																																																																																																																																																																																																																																																																																																																																																																																																																																																																																																																																																																																																																																																							
					GKA127							GKAF127							GK127							GKF127							GKA127							GKAF127							GK127							GKF127							GKA127							GKAF127							GK127							GKF127							GKA127							GKAF127							GK127							GKF127							GKA127							GKAF127							GK127							GKF127							GKA127							GKAF127							GK127							GKF127							GKA127							GKAF127							GK127							GKF127							GKA127							GKAF127							GK127							GKF127							GKA127							GKAF127							GK127							GKF127							GKA127							GKAF127							GK127							GKF127							GKA127							GKAF127							GK127							GKF127							GKA127							GKAF127							GK127							GKF127							GKA127							GKAF127							GK127							GKF127							GKA127							GKAF127							GK127							GKF127							GKA127							GKAF127							GK127							GKF127							GKA127							GKAF127							GK127							GKF127							GKA127							GKAF127							GK127							GKF127							GKA127							GKAF127							GK127							GKF127							GKA127							GKAF127							GK127							GKF127							GKA127							GKAF127							GK127							GKF127							GKA127							GKAF127							GK127							GKF127							GKA127							GKAF127							GK127							GKF127							GKA127							GKAF127							GK127							GKF127							GKA127							GKAF127							GK127							GKF127							GKA127							GKAF127							GK127							GKF127							GKA127							GKAF127							GK127							GKF127							GKA127							GKAF127							GK127							GKF127							GKA127							GKAF127							GK127							GKF127							GKA127							GKAF127							GK127							GKF127							GKA127							GKAF127							GK127							GKF127							GKA127							GKAF127							GK127							GKF127							GKA127							GKAF127							GK127							GKF127							GKA127							GKAF127							GK127							GKF127							GKA127							GKAF127							GK127							GKF127							GKA127							GKAF127							GK127							GKF127							GKA127							GKAF127							GK127							GKF127							GKA127							GKAF127							GK127							GKF127							GKA127							GKAF127							GK127							GKF127							GKA127							GKAF127							GK127							GKF127							GKA127							GKAF127							GK127							GKF127							GKA127							GKAF127							GK127							GKF127							GKA127							GKAF127							GK127							GKF127							GKA127							GKAF127							GK127							GKF127							GKA127							GKAF127							GK127							GKF127							GKA127							GKAF127							GK127							GKF127																																																																																																																																																																																																																																																																																																																																																																																																																																																																																																																																																																																																																																																																																																														
					GKAF127																																																																																																																																																																																																																																																																																																																																																																																																																																																																																																																																																																																																																																																																																																																																																																																																																																																																																																																																																																																																																																																																																																																																																																																																																																																																																																																																																																																																																																																																																																																																																																																																																																																																																																																																																																																																																																																																																																																																																																																																																			
					GK127							GKF127							GKA127							GKAF127							GK127							GKF127							GKA127							GKAF127							GK127							GKF127							GKA127							GKAF127							GK127							GKF127							GKA127							GKAF127							GK127							GKF127							GKA127							GKAF127							GK127							GKF127							GKA127							GKAF127							GK127							GKF127							GKA127							GKAF127							GK127							GKF127							GKA127							GKAF127							GK127							GKF127							GKA127							GKAF127							GK127							GKF127							GKA127							GKAF127							GK127							GKF127							GKA127							GKAF127							GK127							GKF127							GKA127							GKAF127							GK127							GKF127							GKA127							GKAF127							GK127							GKF127							GKA127							GKAF127							GK127							GKF127							GKA127							GKAF127							GK127							GKF127							GKA127							GKAF127							GK127							GKF127							GKA127							GKAF127							GK127							GKF127							GKA127							GKAF127							GK127							GKF127							GKA127							GKAF127							GK127							GKF127							GKA127							GKAF127							GK127							GKF127							GKA127							GKAF127							GK127							GKF127							GKA127							GKAF127							GK127							GKF127							GKA127							GKAF127							GK127							GKF127							GKA127							GKAF127							GK127							GKF127							GKA127							GKAF127							GK127							GKF127							GKA127							GKAF127							GK127							GKF127							GKA127							GKAF127							GK127							GKF127							GKA127							GKAF127							GK127							GKF127							GKA127							GKAF127							GK127							GKF127							GKA127							GKAF127							GK127							GKF127							GKA127							GKAF127							GK127							GKF127							GKA127							GKAF127							GK127							GKF127							GKA127							GKAF127							GK127							GKF127							GKA127							GKAF127							GK127							GKF127							GKA127							GKAF127							GK127							GKF127							GKA127							GKAF127							GK127							GKF127							GKA127							GKAF127							GK127							GKF127							GKA127							GKAF127							GK127							GKF127							GKA127							GKAF127							GK127							GKF127							GKA127							GKAF127							GK127							GKF127							GKA127							GKAF127							GK127							GKF127							GKA127							GKAF127							GK127							GKF127							GKA127							GKAF127							GK127							GKF127							GKA127							GKAF127							GK127							GKF127																																																																																																																																																																																																																																																																																																																																																																																																																																																																																																																																																																																																																																																																																																																												
					GKF127							GKA127							GKAF127							GK127							GKF127							GKA127							GKAF127							GK127							GKF127							GKA127							GKAF127							GK127							GKF127							GKA127							GKAF127							GK127							GKF127							GKA127							GKAF127							GK127							GKF127							GKA127							GKAF127							GK127							GKF127							GKA127							GKAF127							GK127							GKF127							GKA127							GKAF127							GK127							GKF127							GKA127							GKAF127							GK127							GKF127							GKA127							GKAF127							GK127							GKF127							GKA127							GKAF127							GK127							GKF127							GKA127							GKAF127							GK127							GKF127							GKA127							GKAF127							GK127							GKF127							GKA127							GKAF127							GK127							GKF127							GKA127							GKAF127							GK127							GKF127							GKA127							GKAF127							GK127							GKF127							GKA127							GKAF127							GK127							GKF127							GKA127							GKAF127							GK127							GKF127							GKA127							GKAF127							GK127							GKF127							GKA127							GKAF127							GK127							GKF127							GKA127							GKAF127							GK127							GKF127							GKA127							GKAF127							GK127							GKF127							GKA127							GKAF127							GK127							GKF127							GKA127							GKAF127							GK127							GKF127							GKA127							GKAF127							GK127							GKF127							GKA127							GKAF127							GK127							GKF127							GKA127							GKAF127							GK127							GKF127							GKA127							GKAF127							GK127							GKF127							GKA127							GKAF127							GK127							GKF127							GKA127							GKAF127							GK127							GKF127							GKA127							GKAF127							GK127							GKF127							GKA127							GKAF127							GK127							GKF127							GKA127							GKAF127							GK127							GKF127							GKA127							GKAF127							GK127							GKF127							GKA127							GKAF127							GK127							GKF127							GKA127							GKAF127							GK127							GKF127							GKA127							GKAF127							GK127							GKF127							GKA127							GKAF127							GK127							GKF127							GKA127							GKAF127							GK127							GKF127							GKA127							GKAF127							GK127							GKF127							GKA127							GKAF127							GK127							GKF127							GKA127							GKAF127							GK127							GKF127							GKA127							GKAF127							GK127							GKF127							GKA127							GKAF127							GK127							GKF127																																																																																																																																																																																																																																																																																																																																																																																																																																																																																																																																																																																																																																																																																																																																			
					GKA127							GKAF127							GK127							GKF127							GKA127							GKAF127							GK127							GKF127							GKA127							GKAF127							GK127							GKF127							GKA127							GKAF127							GK127							GKF127							GKA127							GKAF127							GK127							GKF127							GKA127							GKAF127							GK127							GKF127							GKA127							GKAF127							GK127							GKF127							GKA127							GKAF127							GK127							GKF127							GKA127							GKAF127							GK127							GKF127							GKA127							GKAF127							GK127							GKF127							GKA127							GKAF127							GK127							GKF127							GKA127							GKAF127							GK127							GKF127							GKA127							GKAF127							GK127							GKF127							GKA127							GKAF127							GK127							GKF127							GKA127							GKAF127							GK127							GKF127							GKA127							GKAF127							GK127							GKF127							GKA127							GKAF127							GK127							GKF127							GKA127							GKAF127							GK127							GKF127							GKA127							GKAF127							GK127							GKF127							GKA127							GKAF127							GK127							GKF127							GKA127							GKAF127							GK127							GKF127							GKA127							GKAF127							GK127							GKF127							GKA127							GKAF127							GK127							GKF127							GKA127							GKAF127							GK127							GKF127							GKA127							GKAF127							GK127							GKF127							GKA127							GKAF127							GK127							GKF127							GKA127							GKAF127							GK127							GKF127							GKA127							GKAF127							GK127							GKF127							GKA127							GKAF127							GK127							GKF127							GKA127							GKAF127							GK127							GKF127							GKA127							GKAF127							GK127							GKF127							GKA127							GKAF127							GK127							GKF127							GKA127							GKAF127							GK127							GKF127							GKA127							GKAF127							GK127							GKF127							GKA127							GKAF127							GK127							GKF127							GKA127							GKAF127							GK127							GKF127							GKA127							GKAF127							GK127							GKF127							GKA127							GKAF127							GK127							GKF127							GKA127							GKAF127							GK127							GKF127							GKA127							GKAF127							GK127							GKF127							GKA127							GKAF127							GK127							GKF127							GKA127							GKAF127							GK127							GKF127							GKA127							GKAF127							GK127							GKF127							GKA127							GKAF127							GK127							GKF127																																																																																																																																																																																																																																																																																																																																																																																																																																																																																																																																																																																																																																																																																																																																										
					GKAF127																																																																																																																																																																																																																																																																																																																																																																																																																																																																																																																																																																																																																																																																																																																																																																																																																																																																																																																																																																																																																																																																																																																																																																																																																																																																																																																																																																																																																																																																																																																																																																																																																																																																																																																																																																																																																																																																																																																																																																																																																			
					GK127							GKF127							GKA127							GKAF127							GK127							GKF127							GKA127							GKAF127							GK127							GKF127							GKA127							GKAF127							GK127							GKF127							GKA127							GKAF127							GK127							GKF127							GKA127							GKAF127							GK127							GKF127							GKA127							GKAF127							GK127							GKF127							GKA127							GKAF127							GK127							GKF127							GKA127							GKAF127							GK127							GKF127							GKA127							GKAF127							GK127							GKF127							GKA127							GKAF127							GK127							GKF127							GKA127							GKAF127							GK127							GKF127							GKA127							GKAF127							GK127							GKF127							GKA127							GKAF127							GK127							GKF127							GKA127							GKAF127							GK127							GKF127							GKA127							GKAF127							GK127							GKF127							GKA127							GKAF127							GK127							GKF127							GKA127							GKAF127							GK127							GKF127							GKA127							GKAF127							GK127							GKF127							GKA127							GKAF127							GK127							GKF127							GKA127							GKAF127							GK127							GKF127							GKA127							GKAF127							GK127							GKF127							GKA127							GKAF127							GK127							GKF127							GKA127							GKAF127							GK127							GKF127							GKA127							GKAF127							GK127							GKF127							GKA127							GKAF127							GK127							GKF127							GKA127							GKAF127							GK127							GKF127							GKA127							GKAF127							GK127							GKF127							GKA127							GKAF127							GK127							GKF127							GKA127							GKAF127							GK127							GKF127							GKA127							GKAF127							GK127							GKF127							GKA127							GKAF127							GK127							GKF127							GKA127							GKAF127							GK127							GKF127							GKA127							GKAF127							GK127							GKF127							GKA127							GKAF127							GK127							GKF127							GKA127							GKAF127							GK127							GKF127							GKA127							GKAF127							GK127							GKF127							GKA127							GKAF127							GK127							GKF127							GKA127							GKAF127							GK127							GKF127							GKA127							GKAF127							GK127							GKF127							GKA127							GKAF127							GK127							GKF127							GKA127							GKAF127							GK127							GKF127							GKA127							GKAF127							GK127							GKF127							GKA127							GKAF127							GK127							GKF127																																																																																																																																																																																																																																																																																																																																																																																																																																																																																																																																																																																																																																																																																																																																																								
					GKF127							GKA127							GKAF127							GK127							GKF127							GKA127							GKAF127							GK127							GKF127							GKA127							GKAF127							GK127							GKF127							GKA127							GKAF127							GK127							GKF127							GKA127							GKAF127							GK127							GKF127							GKA127							GKAF127							GK127							GKF127							GKA127							GKAF127							GK127							GKF127							GKA127							GKAF127							GK127							GKF127							GKA127							GKAF127							GK127							GKF127							GKA127							GKAF127							GK127							GKF127							GKA127							GKAF127							GK127							GKF127							GKA127							GKAF127							GK127							GKF127							GKA127							GKAF127							GK127							GKF127							GKA127							GKAF127							GK127							GKF127							GKA127							GKAF127							GK127							GKF127							GKA127							GKAF127							GK127							GKF127							GKA127							GKAF127							GK127							GKF127							GKA127							GKAF127							GK127							GKF127							GKA127							GKAF127							GK127							GKF127							GKA127							GKAF127							GK127							GKF127							GKA127							GKAF127							GK127							GKF127							GKA127							GKAF127							GK127							GKF127							GKA127							GKAF127							GK127							GKF127							GKA127							GKAF127							GK127							GKF127							GKA127							GKAF127							GK127							GKF127							GKA127							GKAF127							GK127							GKF127							GKA127							GKAF127							GK127							GKF127							GKA127							GKAF127							GK127							GKF127							GKA127							GKAF127							GK127							GKF127							GKA127							GKAF127							GK127							GKF127							GKA127							GKAF127							GK127							GKF127							GKA127							GKAF127							GK127							GKF127							GKA127							GKAF127							GK127							GKF127							GKA127							GKAF127							GK127							GKF127							GKA127							GKAF127							GK127							GKF127							GKA127							GKAF127							GK127							GKF127							GKA127							GKAF127							GK127							GKF127							GKA127							GKAF127							GK127							GKF127							GKA127							GKAF127							GK127							GKF127							GKA127							GKAF127							GK127							GKF127							GKA127							GKAF127							GK127							GKF127							GKA127							GKAF127							GK127							GKF127							GKA127							GKAF127							GK127							GKF127																																																																																																																																																																																																																																																																																																																																																																																																																																																																																																																																																																																																																																																																																																																																																															
					GKA127							GKAF127							GK127							GKF127							GKA127							GKAF127							GK127							GKF127							GKA127							GKAF127							GK127							GKF127							GKA127							GKAF127							GK127							GKF127							GKA127							GKAF127							GK127							GKF127							GKA127							GKAF127							GK127							GKF127							GKA127							GKAF127							GK127							GKF127							GKA127							GKAF127							GK127							GKF127							GKA127							GKAF127							GK127							GKF127							GKA127							GKAF127							GK127							GKF127							GKA127							GKAF127							GK127							GKF127							GKA127							GKAF127							GK127							GKF127							GKA127							GKAF127							GK127							GKF127							GKA127							GKAF127							GK127							GKF127							GKA127							GKAF127							GK127							GKF127							GKA127							GKAF127							GK127							GKF127							GKA127							GKAF127							GK127							GKF127							GKA127							GKAF127							GK127							GKF127							GKA127							GKAF127							GK127							GKF127							GKA127							GKAF127							GK127							GKF127							GKA127							GKAF127							GK127							GKF127							GKA127							GKAF127							GK127							GKF127							GKA127							GKAF127							GK127							GKF127							GKA127							GKAF127							GK127							GKF127							GKA127							GKAF127							GK127							GKF127							GKA127							GKAF127							GK127							GKF127							GKA127							GKAF127							GK127							GKF127							GKA127							GKAF127							GK127							GKF127							GKA127							GKAF127							GK127							GKF127							GKA127							GKAF127							GK127							GKF127							GKA127							GKAF127							GK127							GKF127							GKA127							GKAF127							GK127							GKF127							GKA127							GKAF127							GK127							GKF127							GKA127							GKAF127							GK127							GKF127							GKA127							GKAF127							GK127							GKF127							GKA127							GKAF127							GK127							GKF127							GKA127							GKAF127							GK127							GKF127							GKA127							GKAF127							GK127							GKF127							GKA127							GKAF127							GK127							GKF127							GKA127							GKAF127							GK127							GKF127							GKA127							GKAF127							GK127							GKF127							GKA127							GKAF127							GK127							GKF127							GKA127							GKAF127							GK127							GKF127																																																																																																																																																																																																																																																																																																																																																																																																																																																																																																																																																																																																																																																																																																																																																																						
					GKAF127																																																																																																																																																																																																																																																																																																																																																																																																																																																																																																																																																																																																																																																																																																																																																																																																																																																																																																																																																																																																																																																																																																																																																																																																																																																																																																																																																																																																																																																																																																																																																																																																																																																																																																																																																																																																																																																																																																																																																																																																																			
					GK127							GKF127							GKA127							GKAF127							GK127							GKF127							GKA127							GKAF127							GK127							GKF127							GKA127							GKAF127							GK127							GKF127							GKA127							GKAF127							GK127							GKF127							GKA127							GKAF127							GK127							GKF127							GKA127							GKAF127							GK127							GKF127							GKA127							GKAF127							GK127							GKF127							GKA127							GKAF127							GK127							GKF127							GKA127							GKAF127							GK127							GKF127							GKA127							GKAF127							GK127							GKF127							GKA127							GKAF127							GK127							GKF127							GKA127							GKAF127							GK127							GKF127							GKA127							GKAF127							GK127							GKF127							GKA127							GKAF127							GK127							GKF127							GKA127							GKAF127							GK127							GKF127							GKA127							GKAF127							GK127							GKF127							GKA127							GKAF127							GK127							GKF127							GKA127							GKAF127							GK127							GKF127							GKA127							GKAF127							GK127							GKF127							GKA127							GKAF127							GK127							GKF127							GKA127							GKAF127							GK127							GKF127							GKA127							GKAF127							GK127							GKF127							GKA127							GKAF127							GK127							GKF127							GKA127							GKAF127							GK127							GKF127							GKA127							GKAF127							GK127							GKF127							GKA127							GKAF127							GK127							GKF127							GKA127							GKAF127							GK127							GKF127							GKA127							GKAF127							GK127							GKF127							GKA127							GKAF127							GK127							GKF127							GKA127							GKAF127							GK127							GKF127							GKA127							GKAF127							GK127							GKF127							GKA127							GKAF127							GK127							GKF127							GKA127							GKAF127							GK127							GKF127							GKA127							GKAF127							GK127							GKF127							GKA127							GKAF127							GK127							GKF127							GKA127							GKAF127							GK127							GKF127							GKA127							GKAF127							GK127							GKF127							GKA127							GKAF127							GK127							GKF127							GKA127							GKAF127							GK127							GKF127							GKA127							GKAF127							GK127							GKF127							GKA127							GKAF127							GK127							GKF127							GKA127							GKAF127							GK127							GKF127																																																																																																																																																																																																																																																																																																																																																																																																																																																																																																																																																																																																																																																																																																																																																																																				
					GKF127							GKA127							GKAF127							GK127							GKF127							GKA127							GKAF127							GK127							GKF127							GKA127							GKAF127							GK127							GKF127							GKA127							GKAF127							GK127							GKF127							GKA127							GKAF127							GK127							GKF127							GKA127							GKAF127							GK127							GKF127							GKA127							GKAF127							GK127							GKF127							GKA127							GKAF127							GK127							GKF127							GKA127							GKAF127							GK127							GKF127							GKA127							GKAF127							GK127							GKF127							GKA127							GKAF127							GK127							GKF127							GKA127							GKAF127							GK127							GKF127							GKA127							GKAF127							GK127							GKF127							GKA127							GKAF127							GK127							GKF127							GKA127							GKAF127							GK127							GKF127							GKA127							GKAF127							GK127							GKF127							GKA127							GKAF127							GK127							GKF127							GKA127							GKAF127							GK127							GKF127							GKA127							GKAF127							GK127							GKF127							GKA127							GKAF127							GK127							GKF127							GKA127							GKAF127							GK127							GKF127							GKA127							GKAF127							GK127							GKF127							GKA127							GKAF127							GK127							GKF127							GKA127							GKAF127							GK127							GKF127							GKA127							GKAF127							GK127							GKF127							GKA127							GKAF127							GK127							GKF127							GKA127							GKAF127							GK127							GKF127							GKA127							GKAF127							GK127							GKF127							GKA127							GKAF127							GK127							GKF127							GKA127							GKAF127							GK127							GKF127							GKA127							GKAF127							GK127							GKF127							GKA127							GKAF127							GK127							GKF127							GKA127							GKAF127							GK127							GKF127							GKA127							GKAF127							GK127							GKF127							GKA127							GKAF127							GK127							GKF127							GKA127							GKAF127							GK127							GKF127							GKA127							GKAF127							GK127							GKF127							GKA127							GKAF127							GK127							GKF127							GKA127							GKAF127							GK127							GKF127							GKA127							GKAF127							GK127							GKF127							GKA127							GKAF127							GK127							GKF127							GKA127							GKAF127							GK127							GKF127																																																																																																																																																																																																																																																																																																																																																																																																																																																																																																																																																																																																																																																																																																																																																																																											
					GKA127							GKAF127							GK127							GKF127							GKA127							GKAF127							GK127							GKF127							GKA127							GKAF127							GK127							GKF127							GKA127							GKAF127							GK127							GKF127							GKA127							GKAF127							GK127							GKF127							GKA127							GKAF127							GK127							GKF127							GKA127							GKAF127							GK127							GKF127							GKA127							GKAF127							GK127							GKF127							GKA127							GKAF127							GK127							GKF127							GKA127							GKAF127							GK127							GKF127							GKA127							GKAF127							GK127							GKF127							GKA127							GKAF127							GK127							GKF127							GKA127							GKAF127							GK127							GKF127							GKA127							GKAF127							GK127							GKF127							GKA127							GKAF127							GK127							GKF127							GKA127							GKAF127							GK127							GKF127							GKA127							GKAF127							GK127							GKF127							GKA127							GKAF127							GK127							GKF127							GKA127							GKAF127							GK127							GKF127							GKA127							GKAF127							GK127							GKF127							GKA127							GKAF127							GK127							GKF127							GKA127							GKAF127							GK127							GKF127							GKA127							GKAF127							GK127							GKF127							GKA127							GKAF127							GK127							GKF127							GKA127							GKAF127							GK127							GKF127							GKA127							GKAF127							GK127							GKF127							GKA127							GKAF127							GK127							GKF127							GKA127							GKAF127							GK127							GKF127							GKA127							GKAF127							GK127							GKF127							GKA127							GKAF127							GK127							GKF127							GKA127							GKAF127							GK127							GKF127							GKA127							GKAF127							GK127							GKF127							GKA127							GKAF127							GK127							GKF127							GKA127							GKAF127							GK127							GKF127							GKA127							GKAF127							GK127							GKF127							GKA127							GKAF127							GK127							GKF127							GKA127							GKAF127							GK127							GKF127							GKA127							GKAF127							GK127							GKF127							GKA127							GKAF127							GK127							GKF127							GKA127							GKAF127							GK127							GKF127							GKA127							GKAF127							GK127							GKF127							GKA127							GKAF127							GK127							GKF127																																																																																																																																																																																																																																																																																																																																																																																																																																																																																																																																																																																																																																																																																																																																																																																																		
					GKAF127																																																																																																																																																																																																																																																																																																																																																																																																																																																																																																																																																																																																																																																																																																																																																																																																																																																																																																																																																																																																																																																																																																																																																																																																																																																																																																																																																																																																																																																																																																																																																																																																																																																																																																																																																																																																																																																																																																																																																																																																																			
					GK127							GKF127							GKA127							GKAF127							GK127							GKF127							GKA127							GKAF127							GK127							GKF127							GKA127							GKAF127							GK127							GKF127							GKA127							GKAF127							GK127							GKF127							GKA127							GKAF127							GK127							GKF127							GKA127							GKAF127							GK127							GKF127							GKA127							GKAF127							GK127							GKF127							GKA127							GKAF127							GK127							GKF127							GKA127							GKAF127							GK127							GKF127							GKA127							GKAF127							GK127							GKF127							GKA127							GKAF127							GK127							GKF127							GKA127							GKAF127							GK127							GKF127							GKA127							GKAF127							GK127							GKF127							GKA127							GKAF127							GK127							GKF127							GKA127							GKAF127							GK127							GKF127							GKA127							GKAF127							GK127							GKF127							GKA127							GKAF127							GK127							GKF127							GKA127							GKAF127							GK127							GKF127							GKA127							GKAF127							GK127							GKF127							GKA127							GKAF127							GK127							GKF127							GKA127							GKAF127							GK127							GKF127							GKA127							GKAF127							GK127							GKF127							GKA127							GKAF127							GK127							GKF127							GKA127							GKAF127							GK127							GKF127							GKA127							GKAF127							GK127							GKF127							GKA127							GKAF127							GK127							GKF127							GKA127							GKAF127							GK127							GKF127							GKA127							GKAF127							GK127							GKF127							GKA127							GKAF127							GK127							GKF127							GKA127							GKAF127							GK127							GKF127							GKA127							GKAF127							GK127							GKF127							GKA127							GKAF127							GK127							GKF127							GKA127							GKAF127							GK127							GKF127							GKA127							GKAF127							GK127							GKF127							GKA127							GKAF127							GK127							GKF127							GKA127							GKAF127							GK127							GKF127							GKA127							GKAF127							GK127							GKF127							GKA127							GKAF127							GK127							GKF127							GKA127							GKAF127							GK127							GKF127							GKA127							GKAF127							GK127							GKF127							GKA127							GKAF127							GK127							GKF127																																																																																																																																																																																																																																																																																																																																																																																																																																																																																																																																																																																																																																																																																																																																																																																																																
					GKF127							GKA127							GKAF127							GK127							GKF127							GKA127							GKAF127							GK127							GKF127							GKA127							GKAF127							GK127							GKF127							GKA127							GKAF127							GK127							GKF127							GKA127							GKAF127							GK127							GKF127							GKA127							GKAF127							GK127							GKF127							GKA127							GKAF127							GK127							GKF127							GKA127							GKAF127							GK127							GKF127							GKA127							GKAF127							GK127							GKF127							GKA127							GKAF127							GK127							GKF127							GKA127							GKAF127							GK127							GKF127							GKA127							GKAF127							GK127							GKF127							GKA127							GKAF127							GK127							GKF127							GKA127							GKAF127							GK127							GKF127							GKA127							GKAF127							GK127							GKF127							GKA127							GKAF127							GK127							GKF127							GKA127							GKAF127							GK127							GKF127							GKA127							GKAF127							GK127							GKF127							GKA127							GKAF127							GK127							GKF127							GKA127							GKAF127							GK127							GKF127							GKA127							GKAF127							GK127							GKF127							GKA127							GKAF127							GK127							GKF127							GKA127							GKAF127							GK127							GKF127							GKA127							GKAF127							GK127							GKF127							GKA127							GKAF127							GK127							GKF127							GKA127							GKAF127							GK127							GKF127							GKA127							GKAF127							GK127							GKF127							GKA127							GKAF127							GK127							GKF127							GKA127							GKAF127							GK127							GKF127							GKA127							GKAF127							GK127							GKF127							GKA127							GKAF127							GK127							GKF127							GKA127							GKAF127							GK127							GKF127							GKA127							GKAF127							GK127							GKF127							GKA127							GKAF127							GK127							GKF127							GKA127							GKAF127							GK127							GKF127							GKA127							GKAF127							GK127							GKF127							GKA127							GKAF127							GK127							GKF127							GKA127							GKAF127							GK127							GKF127							GKA127							GKAF127							GK127							GKF127							GKA127							GKAF127							GK127							GKF127							GKA127							GKAF127							GK127							GKF127																																																																																																																																																																																																																																																																																																																																																																																																																																																																																																																																																																																																																																																																																																																																																																																																																							
					GKA127							GKAF127							GK127							GKF127							GKA127							GKAF127							GK127							GKF127							GKA127							GKAF127							GK127							GKF127							GKA127							GKAF127							GK127							GKF127							GKA127							GKAF127							GK127							GKF127							GKA127							GKAF127							GK127							GKF127							GKA127							GKAF127							GK127							GKF127							GKA127							GKAF127							GK127							GKF127							GKA127							GKAF127							GK127							GKF127							GKA127							GKAF127							GK127							GKF127							GKA127							GKAF127							GK127							GKF127							GKA127							GKAF127							GK127							GKF127							GKA127							GKAF127							GK127							GKF127							GKA127							GKAF127							GK127							GKF127							GKA127							GKAF127							GK127							GKF127							GKA127							GKAF127							GK127							GKF127							GKA127							GKAF127							GK127							GKF127							GKA127							GKAF127							GK127							GKF127							GKA127							GKAF127							GK127							GKF127							GKA127							GKAF127							GK127							GKF127							GKA127							GKAF127							GK127							GKF127							GKA127							GKAF127							GK127							GKF127							GKA127							GKAF127							GK127							GKF127							GKA127							GKAF127							GK127							GKF127							GKA127							GKAF127							GK127							GKF127							GKA127							GKAF127							GK127							GKF127							GKA127							GKAF127							GK127							GKF127							GKA127							GKAF127							GK127							GKF127							GKA127							GKAF127							GK127							GKF127							GKA127							GKAF127							GK127							GKF127							GKA127							GKAF127							GK127							GKF127							GKA127							GKAF127							GK127							GKF127							GKA127							GKAF127							GK127							GKF127							GKA127							GKAF127							GK127							GKF127							GKA127							GKAF127							GK127							GKF127							GKA127							GKAF127							GK127							GKF127							GKA127							GKAF127							GK127							GKF127							GKA127							GKAF127							GK127							GKF127							GKA127							GKAF127							GK127							GKF127							GKA127							GKAF127							GK127							GKF127							GKA127							GKAF127							GK127							GKF127																																																																																																																																																																																																																																																																																																																																																																																																																																																																																																																																																																																																																																																																																																																																																																																																																														
					GKAF127																																																																																																																																																																																																																																																																																																																																																																																																																																																																																																																																																																																																																																																																																																																																																																																																																																																																																																																																																																																																																																																																																																																																																																																																																																																																																																																																																																																																																																																																																																																																																																																																																																																																																																																																																																																																																																																																																																																																																																																																																			
					GK127							GKF127							GKA127							GKAF127							GK127							GKF127							GKA127							GKAF127							GK127							GKF127							GKA127							GKAF127							GK127							GKF127							GKA127							GKAF127							GK127							GKF127							GKA127							GKAF127							GK127							GKF127							GKA127							GKAF127							GK127							GKF127							GKA127							GKAF127							GK127							GKF127							GKA127							GKAF127							GK127							GKF127							GKA127							GKAF127							GK127							GKF127							GKA127							GKAF127							GK127							GKF127							GKA127							GKAF127							GK127							GKF127							GKA127							GKAF127							GK127							GKF127							GKA127							GKAF127							GK127							GKF127							GKA127							GKAF127							GK127							GKF127							GKA127							GKAF127							GK127							GKF127							GKA127							GKAF127							GK127							GKF127							GKA127							GKAF127							GK127							GKF127							GKA127							GKAF127							GK127							GKF127							GKA127							GKAF127							GK127							GKF127							GKA127							GKAF127							GK127							GKF127							GKA127							GKAF127							GK127							GKF127							GKA127							GKAF127							GK127							GKF127							GKA127							GKAF127							GK127							GKF127							GKA127							GKAF127							GK127							GKF127							GKA127							GKAF127							GK127							GKF127							GKA127							GKAF127							GK127							GKF127							GKA127							GKAF127							GK127							GKF127							GKA127							GKAF127							GK127							GKF127							GKA127							GKAF127							GK127							GKF127							GKA127							GKAF127							GK127							GKF127							GKA127							GKAF127							GK127							GKF127							GKA127							GKAF127							GK127							GKF127							GKA127							GKAF127							GK127							GKF127							GKA127							GKAF127							GK127							GKF127							GKA127							GKAF127							GK127							GKF127							GKA127							GKAF127							GK127							GKF127							GKA127							GKAF127							GK127							GKF127							GKA127							GKAF127							GK127							GKF127							GKA127							GKAF127							GK127							GKF127							GKA127							GKAF127							GK127							GKF127																																																																																																																																																																																																																																																																																																																																																																																																																																																																																																																																																																																																																																																																																																																																																																																																																																												
					GKF127							GKA127							GKAF127							GK127							GKF127							GKA127							GKAF127							GK127							GKF127							GKA127							GKAF127							GK127							GKF127							GKA127							GKAF127							GK127							GKF127							GKA127							GKAF127							GK127							GKF127							GKA127							GKAF127							GK127							GKF127							GKA127							GKAF127							GK127							GKF127							GKA127							GKAF127							GK127							GKF127							GKA127							GKAF127							GK127							GKF127							GKA127							GKAF127							GK127							GKF127							GKA127							GKAF127							GK127							GKF127							GKA127							GKAF127							GK127							GKF127							GKA127							GKAF127							GK127							GKF127							GKA127							GKAF127							GK127							GKF127							GKA127							GKAF127							GK127							GKF127							GKA127							GKAF127							GK127							GKF127							GKA127							GKAF127							GK127							GKF127							GKA127							GKAF127							GK127							GKF127							GKA127							GKAF127							GK127							GKF127							GKA127							GKAF127							GK127							GKF127							GKA127							GKAF127							GK127							GKF127							GKA127							GKAF127							GK127							GKF127							GKA127							GKAF127							GK127							GKF127							GKA127							GKAF127							GK127							GKF127							GKA127							GKAF127							GK127							GKF127							GKA127							GKAF127							GK127							GKF127							GKA127							GKAF127							GK127							GKF127							GKA127							GKAF127							GK127							GKF127							GKA127							GKAF127							GK127							GKF127							GKA127							GKAF127							GK127							GKF127							GKA127							GKAF127							GK127							GKF127							GKA127							GKAF127							GK127							GKF127							GKA127							GKAF127							GK127							GKF127							GKA127							GKAF127							GK127							GKF127							GKA127							GKAF127							GK127							GKF127							GKA127							GKAF127							GK127							GKF127							GKA127							GKAF127							GK127							GKF127							GKA127							GKAF127							GK127							GKF127							GKA127							GKAF127							GK127							GKF127							GKA127							GKAF127							GK127							GKF127																																																																																																																																																																																																																																																																																																																																																																																																																																																																																																																																																																																																																																																																																																																																																																																																																																																			
					GKA127							GKAF127							GK127							GKF127							GKA127							GKAF127							GK127							GKF127							GKA127							GKAF127							GK127							GKF127							GKA127							GKAF127							GK127							GKF127							GKA127							GKAF127							GK127							GKF127							GKA127							GKAF127							GK127							GKF127							GKA127							GKAF127							GK127							GKF127							GKA127							GKAF127							GK127							GKF127							GKA127							GKAF127							GK127							GKF127							GKA127							GKAF127							GK127							GKF127							GKA127							GKAF127							GK127							GKF127							GKA127							GKAF127							GK127							GKF127							GKA127							GKAF127							GK127							GKF127							GKA127							GKAF127							GK127							GKF127							GKA127							GKAF127							GK127							GKF127							GKA127							GKAF127							GK127							GKF127							GKA127							GKAF127							GK127							GKF127							GKA127							GKAF127							GK127							GKF127							GKA127							GKAF127							GK127							GKF127							GKA127							GKAF127							GK127							GKF127							GKA127							GKAF127							GK127							GKF127							GKA127							GKAF127							GK127							GKF127							GKA127							GKAF127							GK127							GKF127							GKA127							GKAF127							GK127							GKF127							GKA127							GKAF127							GK127							GKF127							GKA127							GKAF127							GK127							GKF127							GKA127							GKAF127							GK127							GKF127							GKA127							GKAF127							GK127							GKF127							GKA127							GKAF127							GK127							GKF127							GKA127							GKAF127							GK127							GKF127							GKA127							GKAF127							GK127							GKF127							GKA127							GKAF127							GK127							GKF127							GKA127							GKAF127							GK127							GKF127							GKA127							GKAF127							GK127							GKF127							GKA127							GKAF127							GK127							GKF127							GKA127							GKAF127							GK127							GKF127							GKA127							GKAF127							GK127							GKF127							GKA127							GKAF127							GK127							GKF127							GKA127							GKAF127							GK127							GKF127							GKA127							GKAF127							GK127							GKF127																																																																																																																																																																																																																																																																																																																																																																																																																																																																																																																																																																																																																																																																																																																																																																																																																																																										
					GKAF127																																																																																																																																																																																																																																																																																																																																																																																																																																																																																																																																																																																																																																																																																																																																																																																																																																																																																																																																																																																																																																																																																																																																																																																																																																																																																																																																																																																																																																																																																																																																																																																																																																																																																																																																																																																																																																																																																																																																																																																																																			
					GK127							GKF127							GKA127							GKAF127							GK127							GKF127							GKA127							GKAF127							GK127							GKF127							GKA127							GKAF127							GK127							GKF127							GKA127							GKAF127							GK127							GKF127							GKA127							GKAF127							GK127							GKF127							GKA127							GKAF127							GK127							GKF127							GKA127							GKAF127							GK127							GKF127							GKA127							GKAF127							GK127							GKF127							GKA127							GKAF127							GK127							GKF127							GKA127							GKAF127							GK127							GKF127							GKA127							GKAF127							GK127							GKF127							GKA127							GKAF127							GK127							GKF127							GKA127							GKAF127							GK127							GKF127							GKA127							GKAF127							GK127							GKF127							GKA127							GKAF127							GK127							GKF127							GKA127							GKAF127							GK127							GKF127							GKA127							GKAF127							GK127							GKF127							GKA127							GKAF127							GK127							GKF127							GKA127							GKAF127							GK127							GKF127							GKA127							GKAF127							GK127							GKF127							GKA127							GKAF127							GK127							GKF127							GKA127							GKAF127							GK127							GKF127							GKA127							GKAF127							GK127							GKF127							GKA127							GKAF127							GK127							GKF127							GKA127							GKAF127							GK127							GKF127							GKA127							GKAF127							GK127							GKF127							GKA127							GKAF127							GK127							GKF127							GKA127							GKAF127							GK127							GKF127							GKA127							GKAF127							GK127							GKF127							GKA127							GKAF127							GK127							GKF127							GKA127							GKAF127							GK127							GKF127							GKA127							GKAF127							GK127							GKF127							GKA127							GKAF127							GK127							GKF127							GKA127							GKAF127							GK127							GKF127							GKA127							GKAF127							GK127							GKF127							GKA127							GKAF127							GK127							GKF127							GKA127							GKAF127							GK127							GKF127							GKA127							GKAF127							GK127							GKF127							GKA127							GKAF127							GK127							GKF127																																																																																																																																																																																																																																																																																																																																																																																																																																																																																																																																																																																																																																																																																																																																																																																																																																																																								
					GKF127							GKA127							GKAF127							GK127							GKF127							GKA127							GKAF127							GK127							GKF127							GKA127							GKAF127							GK127							GKF127							GKA127							GKAF127							GK127							GKF127							GKA127							GKAF127							GK127							GKF127							GKA127							GKAF127							GK127							GKF127							GKA127							GKAF127							GK127							GKF127							GKA127							GKAF127							GK127							GKF127							GKA127							GKAF127							GK127							GKF127							GKA127							GKAF127							GK127							GKF127							GKA127							GKAF127							GK127							GKF127							GKA127							GKAF127							GK127							GKF127							GKA127							GKAF127							GK127							GKF127							GKA127							GKAF127							GK127							GKF127							GKA127							GKAF127							GK127							GKF127							GKA127							GKAF127							GK127							GKF127							GKA127							GKAF127							GK127							GKF127							GKA127							GKAF127							GK127							GKF127							GKA127							GKAF127							GK127							GKF127							GKA127							GKAF127							GK127							GKF127							GKA127							GKAF127							GK127							GKF127							GKA127							GKAF127							GK127							GKF127							GKA127							GKAF127							GK127							GKF127							GKA127							GKAF127							GK127							GKF127							GKA127							GKAF127							GK127							GKF127							GKA127							GKAF127							GK127							GKF127							GKA127							GKAF127							GK127							GKF127							GKA127							GKAF127							GK127							GKF127							GKA127							GKAF127							GK127							GKF127							GKA127							GKAF127							GK127							GKF127							GKA127							GKAF127							GK127							GKF127							GKA127							GKAF127							GK127							GKF127							GKA127							GKAF127							GK127							GKF127							GKA127							GKAF127							GK127							GKF127							GKA127							GKAF127							GK127							GKF127							GKA127							GKAF127							GK127							GKF127							GKA127							GKAF127							GK127							GKF127							GKA127							GKAF127							GK127							GKF127							GKA127							GKAF127							GK127							GKF127																																																																																																																																																																																																																																																																																																																																																																																																																																																																																																																																																																																																																																																																																																																																																																																																																																																																															
					GKA127							GKAF127							GK127							GKF127							GKA127							GKAF127							GK127							GKF127							GKA127							GKAF127							GK127							GKF127							GKA127							GKAF127							GK127							GKF127							GKA127							GKAF127							GK127							GKF127							GKA127							GKAF127							GK127							GKF127							GKA127							GKAF127							GK127							GKF127							GKA127							GKAF127							GK127							GKF127							GKA127							GKAF127							GK127							GKF127							GKA127							GKAF127							GK127							GKF127							GKA127							GKAF127							GK127							GKF127							GKA127							GKAF127							GK127							GKF127							GKA127							GKAF127							GK127							GKF127							GKA127							GKAF127							GK127							GKF127							GKA127							GKAF127							GK127							GKF127							GKA127							GKAF127							GK127							GKF127							GKA127							GKAF127							GK127							GKF127							GKA127							GKAF127							GK127							GKF127							GKA127							GKAF127							GK127							GKF127							GKA127							GKAF127							GK127							GKF127							GKA127							GKAF127							GK127							GKF127							GKA127							GKAF127							GK127							GKF127							GKA127							GKAF127							GK127							GKF127							GKA127							GKAF127							GK127							GKF127							GKA127							GKAF127							GK127							GKF127							GKA127							GKAF127							GK127							GKF127							GKA127							GKAF127							GK127							GKF127							GKA127							GKAF127							GK127							GKF127							GKA127							GKAF127							GK127							GKF127							GKA127							GKAF127							GK127							GKF127							GKA127							GKAF127							GK127							GKF127							GKA127							GKAF127							GK127							GKF127							GKA127							GKAF127							GK127							GKF127							GKA127							GKAF127							GK127							GKF127							GKA127							GKAF127							GK127							GKF127							GKA127							GKAF127							GK127							GKF127							GKA127							GKAF127							GK127							GKF127							GKA127							GKAF127							GK127							GKF127							GKA127							GKAF127							GK127							GKF127																																																																																																																																																																																																																																																																																																																																																																																																																																																																																																																																																																																																																																																																																																																																																																																																																																																																																						
					GKAF127																																																																																																																																																																																																																																																																																																																																																																																																																																																																																																																																																																																																																																																																																																																																																																																																																																																																																																																																																																																																																																																																																																																																																																																																																																																																																																																																																																																																																																																																																																																																																																																																																																																																																																																																																																																																																																																																																																																																																																																																																			
					GK127							GKF127							GKA127							GKAF127							GK127							GKF127							GKA127							GKAF127							GK127							GKF127							GKA127							GKAF127							GK127							GKF127							GKA127							GKAF127							GK127							GKF127							GKA127							GKAF127							GK127							GKF127							GKA127							GKAF127							GK127							GKF127							GKA127							GKAF127							GK127							GKF127							GKA127							GKAF127							GK127							GKF127							GKA127							GKAF127							GK127							GKF127							GKA127							GKAF127							GK127							GKF127							GKA127							GKAF127							GK127							GKF127							GKA127							GKAF127							GK127							GKF127							GKA127							GKAF127							GK127							GKF127							GKA127							GKAF127							GK127							GKF127							GKA127							GKAF127							GK127							GKF127							GKA127							GKAF127							GK127							GKF127							GKA127							GKAF127							GK127							GKF127							GKA127							GKAF127							GK127							GKF127							GKA127							GKAF127							GK127							GKF127							GKA127							GKAF127							GK127							GKF127							GKA127							GKAF127							GK127							GKF127							GKA127							GKAF127							GK127							GKF127							GKA127							GKAF127							GK127							GKF127							GKA127							GKAF127							GK127							GKF127							GKA127							GKAF127							GK127							GKF127							GKA127							GKAF127							GK127							GKF127							GKA127							GKAF127							GK127							GKF127							GKA127							GKAF127							GK127							GKF127							GKA127							GKAF127							GK127							GKF127							GKA127							GKAF127							GK127							GKF127							GKA127							GKAF127							GK127							GKF127							GKA127							GKAF127							GK127							GKF127							GKA127							GKAF127							GK127							GKF127							GKA127							GKAF127							GK127							GKF127							GKA127							GKAF127							GK127							GKF127							GKA127							GKAF127							GK127							GKF127							GKA127							GKAF127							GK127							GKF127							GKA127							GKAF127							GK127							GKF127																																																																																																																																																																																																																																																																																																																																																																																																																																																																																																																																																																																																																																																																																																																																																																																																																																																																																																				
					GKF127							GKA127							GKAF127							GK127							GKF127							GKA127							GKAF127							GK127							GKF127							GKA127							GKAF127							GK127							GKF127							GKA127							GKAF127							GK127							GKF127							GKA127							GKAF127							GK127							GKF127							GKA127							GKAF127							GK127							GKF127							GKA127							GKAF127							GK127							GKF127							GKA127							GKAF127							GK127							GKF127							GKA127							GKAF127							GK127							GKF127							GKA127							GKAF127							GK127							GKF127							GKA127							GKAF127							GK127							GKF127							GKA127							GKAF127							GK127							GKF127							GKA127							GKAF127							GK127							GKF127							GKA127							GKAF127							GK127							GKF127							GKA127							GKAF127							GK127							GKF127							GKA127							GKAF127							GK127							GKF127							GKA127							GKAF127							GK127							GKF127							GKA127							GKAF127							GK127							GKF127							GKA127							GKAF127							GK127							GKF127							GKA127							GKAF127							GK127							GKF127							GKA127							GKAF127							GK127							GKF127							GKA127							GKAF127							GK127							GKF127							GKA127							GKAF127							GK127							GKF127							GKA127							GKAF127							GK127							GKF127							GKA127							GKAF127							GK127							GKF127							GKA127							GKAF127							GK127							GKF127							GKA127							GKAF127							GK127							GKF127							GKA127							GKAF127							GK127							GKF127							GKA127							GKAF127							GK127							GKF127							GKA127							GKAF127							GK127							GKF127							GKA127							GKAF127							GK127							GKF127							GKA127							GKAF127							GK127							GKF127							GKA127							GKAF127							GK127							GKF127							GKA127							GKAF127							GK127							GKF127							GKA127							GKAF127							GK127							GKF127							GKA127							GKAF127							GK127							GKF127							GKA127							GKAF127							GK127							GKF127							GKA127							GKAF127							GK127							GKF127																																																																																																																																																																																																																																																																																																																																																																																																																																																																																																																																																																																																																																																																																																																																																																																																																																																																																																											
					GKA127							GKAF127							GK127							GKF127							GKA127							GKAF127							GK127							GKF127							GKA127							GKAF127							GK127							GKF127							GKA127							GKAF127							GK127							GKF127							GKA127							GKAF127							GK127							GKF127							GKA127							GKAF127							GK127							GKF127							GKA127							GKAF127							GK127							GKF127							GKA127							GKAF127							GK127							GKF127							GKA127							GKAF127							GK127							GKF127							GKA127							GKAF127							GK127							GKF127							GKA127							GKAF127							GK127							GKF127							GKA127							GKAF127							GK127							GKF127							GKA127							GKAF127							GK127							GKF127							GKA127							GKAF127							GK127							GKF127							GKA127							GKAF127							GK127							GKF127							GKA127							GKAF127							GK127							GKF127							GKA127							GKAF127							GK127							GKF127							GKA127							GKAF127							GK127							GKF127							GKA127							GKAF127							GK127							GKF127							GKA127							GKAF127							GK127							GKF127							GKA127							GKAF127							GK127							GKF127							GKA127							GKAF127							GK127							GKF127							GKA127							GKAF127							GK127							GKF127							GKA127							GKAF127							GK127							GKF127							GKA127							GKAF127							GK127							GKF127							GKA127							GKAF127							GK127							GKF127							GKA127							GKAF127							GK127							GKF127							GKA127							GKAF127							GK127							GKF127							GKA127							GKAF127							GK127							GKF127							GKA127							GKAF127							GK127							GKF127							GKA127							GKAF127							GK127							GKF127							GKA127							GKAF127							GK127							GKF127							GKA127							GKAF127							GK127							GKF127							GKA127							GKAF127							GK127							GKF127							GKA127							GKAF127							GK127							GKF127							GKA127							GKAF127							GK127							GKF127							GKA127							GKAF127							GK127							GKF127							GKA127							GKAF127							GK127							GKF127																																																																																																																																																																																																																																																																																																																																																																																																																																																																																																																																																																																																																																																																																																																																																																																																																																																																																																																		
					GKAF127																																																																																																																																																																																																																																																																																																																																																																																																																																																																																																																																																																																																																																																																																																																																																																																																																																																																																																																																																																																																																																																																																																																																																																																																																																																																																																																																																																																																																																																																																																																																																																																																																																																																																																																																																																																																																																																																																																																																																																																																																			
					GK127							GKF127							GKA127							GKAF127							GK127							GKF127							GKA127							GKAF127							GK127							GKF127							GKA127							GKAF127							GK127							GKF127							GKA127							GKAF127							GK127							GKF127							GKA127							GKAF127							GK127							GKF127							GKA127							GKAF127							GK127							GKF127							GKA127							GKAF127							GK127							GKF127							GKA127							GKAF127							GK127							GKF127							GKA127							GKAF127							GK127							GKF127							GKA127							GKAF127							GK127							GKF127							GKA127							GKAF127							GK127							GKF127							GKA127							GKAF127							GK127							GKF127							GKA127							GKAF127							GK127							GKF127							GKA127							GKAF127							GK127							GKF127							GKA127							GKAF127							GK127							GKF127							GKA127							GKAF127							GK127							GKF127							GKA127							GKAF127							GK127							GKF127							GKA127							GKAF127							GK127							GKF127							GKA127							GKAF127							GK127							GKF127							GKA127							GKAF127							GK127							GKF127							GKA127							GKAF127							GK127							GKF127							GKA127							GKAF127							GK127							GKF127							GKA127							GKAF127							GK127							GKF127							GKA127							GKAF127							GK127							GKF127							GKA127							GKAF127							GK127							GKF127							GKA127							GKAF127							GK127							GKF127							GKA127							GKAF127							GK127							GKF127							GKA127							GKAF127							GK127							GKF127							GKA127							GKAF127							GK127							GKF127							GKA127							GKAF127							GK127							GKF127							GKA127							GKAF127							GK127							GKF127							GKA127							GKAF127							GK127							GKF127							GKA127							GKAF127							GK127							GKF127							GKA127							GKAF127							GK127							GKF127							GKA127							GKAF127							GK127							GKF127							GKA127							GKAF127							GK127							GKF127							GKA127							GKAF127							GK127							GKF127																																																																																																																																																																																																																																																																																																																																																																																																																																																																																																																																																																																																																																																																																																																																																																																																																																																																																																																																
					GKF127							GKA127							GKAF127							GK127							GKF127							GKA127							GKAF127							GK127							GKF127							GKA127							GKAF127							GK127							GKF127							GKA127							GKAF127							GK127							GKF127							GKA127							GKAF127							GK127							GKF127							GKA127							GKAF127							GK127							GKF127							GKA127							GKAF127							GK127							GKF127							GKA127							GKAF127							GK127							GKF127							GKA127							GKAF127							GK127							GKF127							GKA127							GKAF127							GK127							GKF127							GKA127							GKAF127							GK127							GKF127							GKA127							GKAF127							GK127							GKF127							GKA127							GKAF127							GK127							GKF127							GKA127							GKAF127							GK127							GKF127							GKA127							GKAF127							GK127							GKF127							GKA127							GKAF127							GK127							GKF127							GKA127							GKAF127							GK127							GKF127							GKA127							GKAF127							GK127							GKF127							GKA127							GKAF127							GK127							GKF127							GKA127							GKAF127							GK127							GKF127							GKA127							GKAF127							GK127							GKF127							GKA127							GKAF127							GK127							GKF127							GKA127							GKAF127							GK127							GKF127							GKA127							GKAF127							GK127							GKF127							GKA127							GKAF127							GK127							GKF127							GKA127							GKAF127							GK127							GKF127							GKA127							GKAF127							GK127							GKF127							GKA127							GKAF127							GK127							GKF127							GKA127							GKAF127							GK127							GKF127							GKA127							GKAF127							GK127							GKF127							GKA127							GKAF127							GK127							GKF127							GKA127							GKAF127							GK127							GKF127							GKA127							GKAF127							GK127							GKF127							GKA127							GKAF127							GK127							GKF127							GKA127							GKAF127							GK127							GKF127							GKA127							GKAF127							GK127							GKF127							GKA127							GKAF127							GK127							GKF127																																																																																																																																																																																																																																																																																																																																																																																																																																																																																																																																																																																																																																																																																																																																																																																																																																																																																																																																							
					GKA127							GKAF127							GK127							GKF127							GKA127							GKAF127							GK127							GKF127							GKA127							GKAF127							GK127							GKF127							GKA127							GKAF127							GK127							GKF127							GKA127							GKAF127							GK127							GKF127							GKA127							GKAF127							GK127							GKF127							GKA127							GKAF127							GK127							GKF127							GKA127							GKAF127							GK127							GKF127							GKA127							GKAF127							GK127							GKF127							GKA127							GKAF127							GK127							GKF127							GKA127							GKAF127							GK127							GKF127							GKA127							GKAF127							GK127							GKF127							GKA127							GKAF127							GK127							GKF127							GKA127							GKAF127							GK127							GKF127							GKA127							GKAF127							GK127							GKF127							GKA127							GKAF127							GK127							GKF127							GKA127							GKAF127							GK127							GKF127							GKA127							GKAF127							GK127							GKF127							GKA127							GKAF127							GK127							GKF127							GKA127							GKAF127							GK127							GKF127							GKA127							GKAF127							GK127							GKF127							GKA127							GKAF127							GK127							GKF127							GKA127							GKAF127							GK127							GKF127							GKA127							GKAF127							GK127							GKF127							GKA127							GKAF127							GK127							GKF127							GKA127							GKAF127							GK127							GKF127							GKA127							GKAF127							GK127							GKF127							GKA127							GKAF127							GK127							GKF127							GKA127							GKAF127							GK127							GKF127							GKA127							GKAF127							GK127							GKF127							GKA127							GKAF127							GK127							GKF127							GKA127							GKAF127							GK127							GKF127							GKA127							GKAF127							GK127							GKF127							GKA127							GKAF127							GK127							GKF127							GKA127							GKAF127							GK127							GKF127							GKA127							GKAF127							GK127							GKF127							GKA127							GKAF127							GK127							GKF127																																																																																																																																																																																																																																																																																																																																																																																																																																																																																																																																																																																																																																																																																																																																																																																																																																																																																																																																														
					GKAF127																																																																																																																																																																																																																																																																																																																																																																																																																																																																																																																																																																																																																																																																																																																																																																																																																																																																																																																																																																																																																																																																																																																																																																																																																																																																																																																																																																																																																																																																																																																																																																																																																																																																																																																																																																																																																																																																																																																																																																																																																			
					GK127							GKF127							GKA127							GKAF127							GK127							GKF127							GKA127							GKAF127							GK127							GKF127							GKA127							GKAF127							GK127							GKF127							GKA127							GKAF127							GK127							GKF127							GKA127							GKAF127							GK127							GKF127							GKA127							GKAF127							GK127							GKF127							GKA127							GKAF127							GK127							GKF127							GKA127							GKAF127							GK127							GKF127							GKA127							GKAF127							GK127							GKF127							GKA127							GKAF127							GK127							GKF127							GKA127							GKAF127							GK127							GKF127							GKA127							GKAF127							GK127							GKF127							GKA127							GKAF127							GK127							GKF127							GKA127							GKAF127							GK127							GKF127							GKA127							GKAF127							GK127							GKF127							GKA127							GKAF127							GK127							GKF127							GKA127							GKAF127							GK127							GKF127							GKA127							GKAF127							GK127							GKF127							GKA127							GKAF127							GK127							GKF127							GKA127							GKAF127							GK127							GKF127							GKA127							GKAF127							GK127							GKF127							GKA127							GKAF127							GK127							GKF127							GKA127							GKAF127							GK127							GKF127							GKA127							GKAF127							GK127							GKF127							GKA127							GKAF127							GK127							GKF127							GKA127							GKAF127							GK127							GKF127							GKA127							GKAF127							GK127							GKF127							GKA127							GKAF127							GK127							GKF127							GKA127							GKAF127							GK127							GKF127							GKA127							GKAF127							GK127							GKF127							GKA127							GKAF127							GK127							GKF127							GKA127							GKAF127							GK127							GKF127							GKA127							GKAF127							GK127							GKF127							GKA127							GKAF127							GK127							GKF127							GKA127							GKAF127							GK127							GKF127							GKA127							GKAF127							GK127							GKF127																																																																																																																																																																																																																																																																																																																																																																																																																																																																																																																																																																																																																																																																																																																																																																																																																																																																																																																																																												
					GKF127							GKA127							GKAF127							GK127							GKF127							GKA127							GKAF127							GK127							GKF127							GKA127							GKAF127							GK127							GKF127							GKA127							GKAF127							GK127							GKF127							GKA127							GKAF127							GK127							GKF127							GKA127							GKAF127							GK127							GKF127							GKA127							GKAF127							GK127							GKF127							GKA127							GKAF127							GK127							GKF127							GKA127							GKAF127							GK127							GKF127							GKA127							GKAF127							GK127							GKF127							GKA127							GKAF127							GK127							GKF127							GKA127							GKAF127							GK127							GKF127							GKA127							GKAF127							GK127							GKF127							GKA127							GKAF127							GK127							GKF127							GKA127							GKAF127							GK127							GKF127							GKA127							GKAF127							GK127							GKF127							GKA127							GKAF127							GK127							GKF127							GKA127							GKAF127							GK127							GKF127							GKA127							GKAF127							GK127							GKF127							GKA127							GKAF127							GK127							GKF127							GKA127							GKAF127							GK127							GKF127							GKA127							GKAF127							GK127							GKF127							GKA127							GKAF127							GK127							GKF127							GKA127							GKAF127							GK127							GKF127							GKA127							GKAF127							GK127							GKF127							GKA127							GKAF127							GK127							GKF127							GKA127							GKAF127							GK127							GKF127							GKA127							GKAF127							GK127							GKF127							GKA127							GKAF127							GK127							GKF127							GKA127							GKAF127							GK127							GKF127							GKA127							GKAF127							GK127							GKF127							GKA127							GKAF127							GK127							GKF127							GKA127							GKAF127							GK127							GKF127							GKA127							GKAF127							GK127							GKF127							GKA127							GKAF127							GK127							GKF127							GKA127							GKAF127							GK127							GKF127																																																																																																																																																																																																																																																																																																																																																																																																																																																																																																																																																																																																																																																																																																																																																																																																																																																																																																																																																																			
					GKA127							GKAF127							GK127							GKF127							GKA127							GKAF127							GK127							GKF127							GKA127							GKAF127							GK127							GKF127							GKA127							GKAF127							GK127							GKF127							GKA127							GKAF127							GK127							GKF127							GKA127							GKAF127							GK127							GKF127							GKA127							GKAF127							GK127							GKF127							GKA127							GKAF127							GK127							GKF127							GKA127							GKAF127							GK127							GKF127							GKA127							GKAF127							GK127							GKF127							GKA127							GKAF127							GK127							GKF127							GKA127							GKAF127							GK127							GKF127							GKA127							GKAF127							GK127							GKF127							GKA127							GKAF127							GK127							GKF127							GKA127							GKAF127							GK127							GKF127							GKA127							GKAF127							GK127							GKF127							GKA127							GKAF127							GK127							GKF127							GKA127							GKAF127							GK127							GKF127							GKA127							GKAF127							GK127							GKF127							GKA127							GKAF127							GK127							GKF127							GKA127							GKAF127							GK127							GKF127							GKA127							GKAF127							GK127							GKF127							GKA127							GKAF127							GK127							GKF127							GKA127							GKAF127							GK127							GKF127							GKA127							GKAF127							GK127							GKF127							GKA127							GKAF127							GK127							GKF127							GKA127							GKAF127							GK127							GKF127							GKA127							GKAF127							GK127							GKF127							GKA127							GKAF127							GK127							GKF127							GKA127							GKAF127							GK127							GKF127							GKA127							GKAF127							GK127							GKF127							GKA127							GKAF127							GK127							GKF127							GKA127							GKAF127							GK127							GKF127							GKA127							GKAF127							GK127							GKF127							GKA127							GKAF127							GK127							GKF127							GKA127							GKAF127							GK127							GKF127																																																																																																																																																																																																																																																																																																																																																																																																																																																																																																																																																																																																																																																																																																																																																																																																																																																																																																																																																																										
					GKAF127																																																																																																																																																																																																																																																																																																																																																																																																																																																																																																																																																																																																																																																																																																																																																																																																																																																																																																																																																																																																																																																																																																																																																																																																																																																																																																																																																																																																																																																																																																																																																																																																																																																																																																																																																																																																																																																																																																																																																																																																																			
					GK127							GKF127							GKA127							GKAF127							GK127							GKF127							GKA127							GKAF127							GK127							GKF127							GKA127							GKAF127							GK127							GKF127							GKA127							GKAF127							GK127							GKF127							GKA127							GKAF127							GK127							GKF127							GKA127							GKAF127							GK127							GKF127							GKA127							GKAF127							GK127							GKF127							GKA127							GKAF127							GK127							GKF127							GKA127							GKAF127							GK127							GKF127							GKA127							GKAF127							GK127							GKF127							GKA127							GKAF127							GK127							GKF127							GKA127							GKAF127							GK127							GKF127							GKA127							GKAF127							GK127							GKF127							GKA127							GKAF127							GK127							GKF127							GKA127							GKAF127							GK127							GKF127							GKA127							GKAF127							GK127							GKF127							GKA127							GKAF127							GK127							GKF127							GKA127							GKAF127							GK127							GKF127							GKA127							GKAF127							GK127							GKF127							GKA127							GKAF127							GK127							GKF127							GKA127							GKAF127							GK127							GKF127							GKA127							GKAF127							GK127							GKF127							GKA127							GKAF127							GK127							GKF127							GKA127							GKAF127							GK127							GKF127							GKA127							GKAF127							GK127							GKF127							GKA127							GKAF127							GK127							GKF127							GKA127							GKAF127							GK127							GKF127							GKA127							GKAF127							GK127							GKF127							GKA127							GKAF127							GK127							GKF127							GKA127							GKAF127							GK127							GKF127							GKA127							GKAF127							GK127							GKF127							GKA127							GKAF127							GK127							GKF127							GKA127							GKAF127							GK127							GKF127							GKA127							GKAF127							GK127							GKF127							GKA127							GKAF127							GK127							GKF127																																																																																																																																																																																																																																																																																																																																																																																																																																																																																																																																																																																																																																																																																																																																																																																																																																																																																																																																																																																								
					GKF127							GKA127							GKAF127							GK127							GKF127							GKA127							GKAF127							GK127							GKF127							GKA127							GKAF127							GK127							GKF127							GKA127							GKAF127							GK127							GKF127							GKA127							GKAF127							GK127							GKF127							GKA127							GKAF127							GK127							GKF127							GKA127							GKAF127							GK127							GKF127							GKA127							GKAF127							GK127							GKF127							GKA127							GKAF127							GK127							GKF127							GKA127							GKAF127							GK127							GKF127							GKA127							GKAF127							GK127							GKF127							GKA127							GKAF127							GK127							GKF127							GKA127							GKAF127							GK127							GKF127							GKA127							GKAF127							GK127							GKF127							GKA127							GKAF127							GK127							GKF127							GKA127							GKAF127							GK127							GKF127							GKA127							GKAF127							GK127							GKF127							GKA127							GKAF127							GK127							GKF127							GKA127							GKAF127							GK127							GKF127							GKA127							GKAF127							GK127							GKF127							GKA127							GKAF127							GK127							GKF127							GKA127							GKAF127							GK127							GKF127							GKA127							GKAF127							GK127							GKF127							GKA127							GKAF127							GK127							GKF127							GKA127							GKAF127							GK127							GKF127							GKA127							GKAF127							GK127							GKF127							GKA127							GKAF127							GK127							GKF127							GKA127							GKAF127							GK127							GKF127							GKA127							GKAF127							GK127							GKF127							GKA127							GKAF127							GK127							GKF127							GKA127							GKAF127							GK127							GKF127							GKA127							GKAF127							GK127							GKF127							GKA127							GKAF127							GK127							GKF127							GKA127							GKAF127							GK127							GKF127							GKA127							GKAF127							GK127							GKF127																																																																																																																																																																																																																																																																																																																																																																																																																																																																																																																																																																																																																																																																																																																																																																																																																																																																																																																																																																																															
					GKA127							GKAF127							GK127							GKF127							GKA127							GKAF127							GK127							GKF127							GKA127							GKAF127							GK127							GKF127							GKA127							GKAF127							GK127							GKF127							GKA127							GKAF127							GK127							GKF127							GKA127							GKAF127							GK127							GKF127							GKA127							GKAF127							GK127							GKF127							GKA127							GKAF127							GK127							GKF127							GKA127							GKAF127							GK127							GKF127							GKA127							GKAF127							GK127							GKF127							GKA127							GKAF127							GK127							GKF127							GKA127							GKAF127							GK127							GKF127							GKA127							GKAF127							GK127							GKF127							GKA127							GKAF127							GK127							GKF127							GKA127							GKAF127							GK127							GKF127							GKA127							GKAF127							GK127							GKF127							GKA127							GKAF127							GK127							GKF127							GKA127							GKAF127							GK127							GKF127							GKA127							GKAF127							GK127							GKF127							GKA127							GKAF127							GK127							GKF127							GKA127							GKAF127							GK127							GKF127							GKA127							GKAF127							GK127							GKF127							GKA127							GKAF127							GK127							GKF127							GKA127							GKAF127							GK127							GKF127							GKA127							GKAF127							GK127							GKF127							GKA127							GKAF127							GK127							GKF127							GKA127							GKAF127							GK127							GKF127							GKA127							GKAF127							GK127							GKF127							GKA127							GKAF127							GK127							GKF127							GKA127							GKAF127							GK127							GKF127							GKA127							GKAF127							GK127							GKF127							GKA127							GKAF127							GK127							GKF127							GKA127							GKAF127							GK127							GKF127							GKA127							GKAF127							GK127							GKF127							GKA127							GKAF127							GK127							GKF127																																																																																																																																																																																																																																																																																																																																																																																																																																																																																																																																																																																																																																																																																																																																																																																																																																																																																																																																																																																																						
					GKAF127																																																																																																																																																																																																																																																																																																																																																																																																																																																																																																																																																																																																																																																																																																																																																																																																																																																																																																																																																																																																																																																																																																																																																																																																																																																																																																																																																																																																																																																																																																																																																																																																																																																																																																																																																																																																																																																																																																																																																																																																																			
					GK127							GKF127							GKA127							GKAF127							GK127							GKF127							GKA127							GKAF127							GK127							GKF127							GKA127							GKAF127							GK127							GKF127							GKA127							GKAF127							GK127							GKF127							GKA127							GKAF127							GK127							GKF127							GKA127							GKAF127							GK127							GKF127							GKA127							GKAF127							GK127							GKF127							GKA127							GKAF127							GK127							GKF127							GKA127							GKAF127							GK127							GKF127							GKA127							GKAF127							GK127							GKF127							GKA127							GKAF127							GK127							GKF127							GKA127							GKAF127							GK127							GKF127							GKA127							GKAF127							GK127							GKF127							GKA127							GKAF127							GK127							GKF127							GKA127							GKAF127							GK127							GKF127							GKA127							GKAF127							GK127							GKF127							GKA127							GKAF127							GK127							GKF127							GKA127							GKAF127							GK127							GKF127							GKA127							GKAF127							GK127							GKF127							GKA127							GKAF127							GK127							GKF127							GKA127							GKAF127							GK127							GKF127							GKA127							GKAF127							GK127							GKF127							GKA127							GKAF127							GK127							GKF127							GKA127							GKAF127							GK127							GKF127							GKA127							GKAF127							GK127							GKF127							GKA127							GKAF127							GK127							GKF127							GKA127							GKAF127							GK127							GKF127							GKA127							GKAF127							GK127							GKF127							GKA127							GKAF127							GK127							GKF127							GKA127							GKAF127							GK127							GKF127							GKA127							GKAF127							GK127							GKF127							GKA127							GKAF127							GK127							GKF127							GKA127							GKAF127							GK127							GKF127							GKA127							GKAF127							GK127							GKF127																																																																																																																																																																																																																																																																																																																																																																																																																																																																																																																																																																																																																																																																																																																																																																																																																																																																																																																																																																																																																				
					GKF127							GKA127							GKAF127							GK127							GKF127							GKA127							GKAF127							GK127							GKF127							GKA127							GKAF127							GK127							GKF127							GKA127							GKAF127							GK127							GKF127							GKA127							GKAF127							GK127							GKF127							GKA127							GKAF127							GK127							GKF127							GKA127							GKAF127							GK127							GKF127							GKA127							GKAF127							GK127							GKF127							GKA127							GKAF127							GK127							GKF127							GKA127							GKAF127							GK127							GKF127							GKA127							GKAF127							GK127							GKF127							GKA127							GKAF127							GK127							GKF127							GKA127							GKAF127							GK127							GKF127							GKA127							GKAF127							GK127							GKF127							GKA127							GKAF127							GK127							GKF127							GKA127							GKAF127							GK127							GKF127							GKA127							GKAF127							GK127							GKF127							GKA127							GKAF127							GK127							GKF127							GKA127							GKAF127							GK127							GKF127							GKA127							GKAF127							GK127							GKF127							GKA127							GKAF127							GK127							GKF127							GKA127							GKAF127							GK127							GKF127							GKA127							GKAF127							GK127							GKF127							GKA127							GKAF127							GK127							GKF127							GKA127							GKAF127							GK127							GKF127							GKA127							GKAF127							GK127							GKF127							GKA127							GKAF127							GK127							GKF127							GKA127							GKAF127							GK127							GKF127							GKA127							GKAF127							GK127							GKF127							GKA127							GKAF127							GK127							GKF127							GKA127							GKAF127							GK127							GKF127							GKA127							GKAF127							GK127							GKF127							GKA127							GKAF127							GK127							GKF127							GKA127							GKAF127							GK127							GKF127																																																																																																																																																																																																																																																																																																																																																																																																																																																																																																																																																																																																																																																																																																																																																																																																																																																																																																																																																																																																																											
					GKA127							GKAF127							GK127							GKF127							GKA127							GKAF127							GK127							GKF127							GKA127							GKAF127							GK127							GKF127							GKA127							GKAF127							GK127							GKF127							GKA127							GKAF127							GK127							GKF127							GKA127							GKAF127							GK127							GKF127							GKA127							GKAF127							GK127							GKF127							GKA127							GKAF127							GK127							GKF127							GKA127							GKAF127							GK127							GKF127							GKA127							GKAF127							GK127							GKF127							GKA127							GKAF127							GK127							GKF127							GKA127							GKAF127							GK127							GKF127							GKA127							GKAF127							GK127							GKF127							GKA127							GKAF127							GK127							GKF127							GKA127							GKAF127							GK127							GKF127							GKA127							GKAF127							GK127							GKF127							GKA127							GKAF127							GK127							GKF127							GKA127							GKAF127							GK127							GKF127							GKA127							GKAF127							GK127							GKF127							GKA127							GKAF127							GK127							GKF127							GKA127							GKAF127							GK127							GKF127							GKA127							GKAF127							GK127							GKF127							GKA127							GKAF127							GK127							GKF127							GKA127							GKAF127							GK127							GKF127							GKA127							GKAF127							GK127							GKF127							GKA127							GKAF127							GK127							GKF127							GKA127							GKAF127							GK127							GKF127							GKA127							GKAF127							GK127							GKF127							GKA127							GKAF127							GK127							GKF127							GKA127							GKAF127							GK127							GKF127							GKA127							GKAF127							GK127							GKF127							GKA127							GKAF127							GK127							GKF127							GKA127							GKAF127							GK127							GKF127							GKA127							GKAF127							GK127							GKF127																																																																																																																																																																																																																																																																																																																																																																																																																																																																																																																																																																																																																																																																																																																																																																																																																																																																																																																																																																																																																																		
					GKAF127																																																																																																																																																																																																																																																																																																																																																																																																																																																																																																																																																																																																																																																																																																																																																																																																																																																																																																																																																																																																																																																																																																																																																																																																																																																																																																																																																																																																																																																																																																																																																																																																																																																																																																																																																																																																																																																																																																																																																																																																																			
					GK127							GKF127							GKA127							GKAF127							GK127							GKF127							GKA127							GKAF127							GK127							GKF127							GKA127							GKAF127							GK127							GKF127							GKA127							GKAF127							GK127							GKF127							GKA127							GKAF127							GK127							GKF127							GKA127							GKAF127							GK127							GKF127							GKA127							GKAF127							GK127							GKF127							GKA127							GKAF127							GK127							GKF127							GKA127							GKAF127							GK127							GKF127							GKA127							GKAF127							GK127							GKF127							GKA127							GKAF127							GK127							GKF127							GKA127							GKAF127							GK127							GKF127							GKA127							GKAF127							GK127							GKF127							GKA127							GKAF127							GK127							GKF127							GKA127							GKAF127							GK127							GKF127							GKA127							GKAF127							GK127							GKF127							GKA127							GKAF127							GK127							GKF127							GKA127							GKAF127							GK127							GKF127							GKA127							GKAF127							GK127							GKF127							GKA127							GKAF127							GK127							GKF127							GKA127							GKAF127							GK127							GKF127							GKA127							GKAF127							GK127							GKF127							GKA127							GKAF127							GK127							GKF127							GKA127							GKAF127							GK127							GKF127							GKA127							GKAF127							GK127							GKF127							GKA127							GKAF127							GK127							GKF127							GKA127							GKAF127							GK127							GKF127							GKA127							GKAF127							GK127							GKF127							GKA127							GKAF127							GK127							GKF127							GKA127							GKAF127							GK127							GKF127							GKA127							GKAF127							GK127							GKF127							GKA127							GKAF127							GK127							GKF127							GKA127							GKAF127							GK127							GKF127																																																																																																																																																																																																																																																																																																																																																																																																																																																																																																																																																																																																																																																																																																																																																																																																																																																																																																																																																																																																																																																
					GKF127							GKA127							GKAF127							GK127							GKF127							GKA127							GKAF127							GK127							GKF127							GKA127							GKAF127							GK127							GKF127							GKA127							GKAF127							GK127							GKF127							GKA127							GKAF127							GK127							GKF127							GKA127							GKAF127							GK127							GKF127							GKA127							GKAF127							GK127							GKF127							GKA127							GKAF127							GK127							GKF127							GKA127							GKAF127							GK127							GKF127							GKA127							GKAF127							GK127							GKF127							GKA127							GKAF127							GK127							GKF127							GKA127							GKAF127							GK127							GKF127							GKA127							GKAF127							GK127							GKF127							GKA127							GKAF127							GK127							GKF127							GKA127							GKAF127							GK127							GKF127							GKA127							GKAF127							GK127							GKF127							GKA127							GKAF127							GK127							GKF127							GKA127							GKAF127							GK127							GKF127							GKA127							GKAF127							GK127							GKF127							GKA127							GKAF127							GK127							GKF127							GKA127							GKAF127							GK127							GKF127							GKA127							GKAF127							GK127							GKF127							GKA127							GKAF127							GK127							GKF127							GKA127							GKAF127							GK127							GKF127							GKA127							GKAF127							GK127							GKF127							GKA127							GKAF127							GK127							GKF127							GKA127							GKAF127							GK127							GKF127							GKA127							GKAF127							GK127							GKF127							GKA127							GKAF127							GK127							GKF127							GKA127							GKAF127							GK127							GKF127							GKA127							GKAF127							GK127							GKF127							GKA127							GKAF127							GK127							GKF127							GKA127							GKAF127							GK127							GKF127																																																																																																																																																																																																																																																																																																																																																																																																																																																																																																																																																																																																																																																																																																																																																																																																																																																																																																																																																																																																																																																							
					GKA127							GKAF127							GK127							GKF127							GKA127							GKAF127							GK127							GKF127							GKA127							GKAF127							GK127							GKF127							GKA127							GKAF127							GK127							GKF127							GKA127							GKAF127							GK127							GKF127							GKA127							GKAF127							GK127							GKF127							GKA127							GKAF127							GK127							GKF127							GKA127							GKAF127							GK127							GKF127							GKA127							GKAF127							GK127							GKF127							GKA127							GKAF127							GK127							GKF127							GKA127							GKAF127							GK127							GKF127							GKA127							GKAF127							GK127							GKF127							GKA127							GKAF127							GK127							GKF127							GKA127							GKAF127							GK127							GKF127							GKA127							GKAF127							GK127							GKF127							GKA127							GKAF127							GK127							GKF127							GKA127							GKAF127							GK127							GKF127							GKA127							GKAF127							GK127							GKF127							GKA127							GKAF127							GK127							GKF127							GKA127							GKAF127							GK127							GKF127							GKA127							GKAF127							GK127							GKF127							GKA127							GKAF127							GK127							GKF127							GKA127							GKAF127							GK127							GKF127							GKA127							GKAF127							GK127							GKF127							GKA127							GKAF127							GK127							GKF127							GKA127							GKAF127							GK127							GKF127							GKA127							GKAF127							GK127							GKF127							GKA127							GKAF127							GK127							GKF127							GKA127							GKAF127							GK127							GKF127							GKA127							GKAF127							GK127							GKF127							GKA127							GKAF127							GK127							GKF127							GKA127							GKAF127							GK127							GKF127							GKA127							GKAF127							GK127							GKF127																																																																																																																																																																																																																																																																																																																																																																																																																																																																																																																																																																																																																																																																																																																																																																																																																																																																																																																																																																																																																																																														
					GKAF127																																																																																																																																																																																																																																																																																																																																																																																																																																																																																																																																																																																																																																																																																																																																																																																																																																																																																																																																																																																																																																																																																																																																																																																																																																																																																																																																																																																																																																																																																																																																																																																																																																																																																																																																																																																																																																																																																																																																																																																																																			
					GK127							GKF127							GKA127							GKAF127							GK127							GKF127							GKA127							GKAF127							GK127							GKF127							GKA127							GKAF127							GK127							GKF127							GKA127							GKAF127							GK127							GKF127							GKA127							GKAF127							GK127							GKF127							GKA127							GKAF127							GK127							GKF127							GKA127							GKAF127							GK127							GKF127							GKA127							GKAF127							GK127							GKF127							GKA127							GKAF127							GK127							GKF127							GKA127							GKAF127							GK127							GKF127							GKA127							GKAF127							GK127							GKF127							GKA127							GKAF127							GK127							GKF127							GKA127							GKAF127							GK127							GKF127							GKA127							GKAF127							GK127							GKF127							GKA127							GKAF127							GK127							GKF127							GKA127							GKAF127							GK127							GKF127							GKA127							GKAF127							GK127							GKF127							GKA127							GKAF127							GK127							GKF127							GKA127							GKAF127							GK127							GKF127							GKA127							GKAF127							GK127							GKF127							GKA127							GKAF127							GK127							GKF127							GKA127							GKAF127							GK127							GKF127							GKA127							GKAF127							GK127							GKF127							GKA127							GKAF127							GK127							GKF127							GKA127							GKAF127							GK127							GKF127							GKA127							GKAF127							GK127							GKF127							GKA127							GKAF127							GK127							GKF127							GKA127							GKAF127							GK127							GKF127							GKA127							GKAF127							GK127							GKF127							GKA127							GKAF127							GK127							GKF127							GKA127							GKAF127							GK127							GKF127							GKA127							GKAF127							GK127							GKF127																																																																																																																																																																																																																																																																																																																																																																																																																																																																																																																																																																																																																																																																																																																																																																																																																																																																																																																																																																																																																																																																												
					GKF127							GKA127							GKAF127							GK127							GKF127							GKA127							GKAF127							GK127							GKF127							GKA127							GKAF127							GK127							GKF127							GKA127							GKAF127							GK127							GKF127							GKA127							GKAF127							GK127							GKF127							GKA127							GKAF127							GK127							GKF127							GKA127							GKAF127							GK127							GKF127							GKA127							GKAF127							GK127							GKF127							GKA127							GKAF127							GK127							GKF127							GKA127							GKAF127							GK127							GKF127							GKA127							GKAF127							GK127							GKF127							GKA127							GKAF127							GK127							GKF127							GKA127							GKAF127							GK127							GKF127							GKA127							GKAF127							GK127							GKF127							GKA127							GKAF127							GK127							GKF127							GKA127							GKAF127							GK127							GKF127							GKA127							GKAF127							GK127							GKF127							GKA127							GKAF127							GK127							GKF127							GKA127							GKAF127							GK127							GKF127							GKA127							GKAF127							GK127							GKF127							GKA127							GKAF127							GK127							GKF127							GKA127							GKAF127							GK127							GKF127							GKA127							GKAF127							GK127							GKF127							GKA127							GKAF127							GK127							GKF127							GKA127							GKAF127							GK127							GKF127							GKA127							GKAF127							GK127							GKF127							GKA127							GKAF127							GK127							GKF127							GKA127							GKAF127							GK127							GKF127							GKA127							GKAF127							GK127							GKF127							GKA127							GKAF127							GK127							GKF127							GKA127							GKAF127							GK127							GKF127							GKA127							GKAF127							GK127							GKF127																																																																																																																																																																																																																																																																																																																																																																																																																																																																																																																																																																																																																																																																																																																																																																																																																																																																																																																																																																																																																																																																																			
					GKA127							GKAF127							GK127							GKF127							GKA127							GKAF127							GK127							GKF127							GKA127							GKAF127							GK127							GKF127							GKA127							GKAF127							GK127							GKF127							GKA127							GKAF127							GK127							GKF127							GKA127							GKAF127							GK127							GKF127							GKA127							GKAF127							GK127							GKF127							GKA127							GKAF127							GK127							GKF127							GKA127							GKAF127							GK127							GKF127							GKA127							GKAF127							GK127							GKF127							GKA127							GKAF127							GK127							GKF127							GKA127							GKAF127							GK127							GKF127							GKA127							GKAF127							GK127							GKF127							GKA127							GKAF127							GK127							GKF127							GKA127							GKAF127							GK127							GKF127							GKA127							GKAF127							GK127							GKF127							GKA127							GKAF127							GK127							GKF127							GKA127							GKAF127							GK127							GKF127							GKA127							GKAF127							GK127							GKF127							GKA127							GKAF127							GK127							GKF127							GKA127							GKAF127							GK127							GKF127							GKA127							GKAF127							GK127							GKF127							GKA127							GKAF127							GK127							GKF127							GKA127							GKAF127							GK127							GKF127							GKA127							GKAF127							GK127							GKF127							GKA127							GKAF127							GK127							GKF127							GKA127							GKAF127							GK127							GKF127							GKA127							GKAF127							GK127							GKF127							GKA127							GKAF127							GK127							GKF127							GKA127							GKAF127							GK127							GKF127							GKA127							GKAF127							GK127							GKF127							GKA127							GKAF127							GK127							GKF127																																																																																																																																																																																																																																																																																																																																																																																																																																																																																																																																																																																																																																																																																																																																																																																																																																																																																																																																																																																																																																																																																										
					GKAF127																																																																																																																																																																																																																																																																																																																																																																																																																																																																																																																																																																																																																																																																																																																																																																																																																																																																																																																																																																																																																																																																																																																																																																																																																																																																																																																																																																																																																																																																																																																																																																																																																																																																																																																																																																																																																																																																																																																																																																																																																			
					GK127							GKF127							GKA127							GKAF127							GK127							GKF127							GKA127							GKAF127							GK127							GKF127							GKA127							GKAF127							GK127							GKF127							GKA127							GKAF127							GK127							GKF127							GKA127							GKAF127							GK127							GKF127							GKA127							GKAF127							GK127							GKF127							GKA127							GKAF127							GK127							GKF127							GKA127							GKAF127							GK127							GKF127							GKA127							GKAF127							GK127							GKF127							GKA127							GKAF127							GK127							GKF127							GKA127							GKAF127							GK127							GKF127							GKA127							GKAF127							GK127							GKF127							GKA127							GKAF127							GK127							GKF127							GKA127							GKAF127							GK127							GKF127							GKA127							GKAF127							GK127							GKF127							GKA127							GKAF127							GK127							GKF127							GKA127							GKAF127							GK127							GKF127							GKA127							GKAF127							GK127							GKF127							GKA127							GKAF127							GK127							GKF127							GKA127							GKAF127							GK127							GKF127							GKA127							GKAF127							GK127							GKF127							GKA127							GKAF127							GK127							GKF127							GKA127							GKAF127							GK127							GKF127							GKA127							GKAF127							GK127							GKF127							GKA127							GKAF127							GK127							GKF127							GKA127							GKAF127							GK127							GKF127							GKA127							GKAF127							GK127							GKF127							GKA127							GKAF127							GK127							GKF127							GKA127							GKAF127							GK127							GKF127							GKA127							GKAF127							GK127							GKF127							GKA127							GKAF127							GK127							GKF127																																																																																																																																																																																																																																																																																																																																																																																																																																																																																																																																																																																																																																																																																																																																																																																																																																																																																																																																																																																																																																																																																																								
					GKF127							GKA127							GKAF127							GK127							GKF127							GKA127							GKAF127							GK127							GKF127							GKA127							GKAF127							GK127							GKF127							GKA127							GKAF127							GK127							GKF127							GKA127							GKAF127							GK127							GKF127							GKA127							GKAF127							GK127							GKF127							GKA127							GKAF127							GK127							GKF127							GKA127							GKAF127							GK127							GKF127							GKA127							GKAF127							GK127							GKF127							GKA127							GKAF127							GK127							GKF127							GKA127							GKAF127							GK127							GKF127							GKA127							GKAF127							GK127							GKF127							GKA127							GKAF127							GK127							GKF127							GKA127							GKAF127							GK127							GKF127							GKA127							GKAF127							GK127							GKF127							GKA127							GKAF127							GK127							GKF127							GKA127							GKAF127							GK127							GKF127							GKA127							GKAF127							GK127							GKF127							GKA127							GKAF127							GK127							GKF127							GKA127							GKAF127							GK127							GKF127							GKA127							GKAF127							GK127							GKF127							GKA127							GKAF127							GK127							GKF127							GKA127							GKAF127							GK127							GKF127							GKA127							GKAF127							GK127							GKF127							GKA127							GKAF127							GK127							GKF127							GKA127							GKAF127							GK127							GKF127							GKA127							GKAF127							GK127							GKF127							GKA127							GKAF127							GK127							GKF127							GKA127							GKAF127							GK127							GKF127							GKA127							GKAF127							GK127							GKF127							GKA127							GKAF127							GK127							GKF127																																																																																																																																																																																																																																																																																																																																																																																																																																																																																																																																																																																																																																																																																																																																																																																																																																																																																																																																																																																																																																																																																																															
					GKA127							GKAF127							GK127							GKF127							GKA127							GKAF127							GK127							GKF127							GKA127							GKAF127							GK127							GKF127							GKA127							GKAF127							GK127							GKF127							GKA127							GKAF127							GK127							GKF127							GKA127							GKAF127							GK127							GKF127							GKA127							GKAF127							GK127							GKF127							GKA127							GKAF127							GK127							GKF127							GKA127							GKAF127							GK127							GKF127							GKA127							GKAF127							GK127							GKF127							GKA127							GKAF127							GK127							GKF127							GKA127							GKAF127							GK127							GKF127							GKA127							GKAF127							GK127							GKF127							GKA127							GKAF127							GK127							GKF127							GKA127							GKAF127							GK127							GKF127							GKA127							GKAF127							GK127							GKF127							GKA127							GKAF127							GK127							GKF127							GKA127							GKAF127							GK127							GKF127							GKA127							GKAF127							GK127							GKF127							GKA127							GKAF127							GK127							GKF127							GKA127							GKAF127							GK127							GKF127							GKA127							GKAF127							GK127							GKF127							GKA127							GKAF127							GK127							GKF127							GKA127							GKAF127							GK127							GKF127							GKA127							GKAF127							GK127							GKF127							GKA127							GKAF127							GK127							GKF127							GKA127							GKAF127							GK127							GKF127							GKA127							GKAF127							GK127							GKF127							GKA127							GKAF127							GK127							GKF127							GKA127							GKAF127							GK127							GKF127							GKA127							GKAF127							GK127							GKF127																																																																																																																																																																																																																																																																																																																																																																																																																																																																																																																																																																																																																																																																																																																																																																																																																																																																																																																																																																																																																																																																																																																						
					GKAF127																																																																																																																																																																																																																																																																																																																																																																																																																																																																																																																																																																																																																																																																																																																																																																																																																																																																																																																																																																																																																																																																																																																																																																																																																																																																																																																																																																																																																																																																																																																																																																																																																																																																																																																																																																																																																																																																																																																																																																																																																			
					GK127							GKF127							GKA127							GKAF127							GK127							GKF127							GKA127							GKAF127							GK127							GKF127							GKA127							GKAF127							GK127							GKF127							GKA127							GKAF127							GK127							GKF127							GKA127							GKAF127							GK127							GKF127							GKA127							GKAF127							GK127							GKF127							GKA127							GKAF127							GK127							GKF127							GKA127							GKAF127							GK127							GKF127							GKA127							GKAF127							GK127							GKF127							GKA127							GKAF127							GK127							GKF127							GKA127							GKAF127							GK127							GKF127							GKA127							GKAF127							GK127							GKF127							GKA127							GKAF127							GK127							GKF127							GKA127							GKAF127							GK127							GKF127							GKA127							GKAF127							GK127							GKF127							GKA127							GKAF127							GK127							GKF127							GKA127							GKAF127							GK127							GKF127							GKA127							GKAF127							GK127							GKF127							GKA127							GKAF127							GK127							GKF127							GKA127							GKAF127							GK127							GKF127							GKA127							GKAF127							GK127							GKF127							GKA127							GKAF127							GK127							GKF127							GKA127							GKAF127							GK127							GKF127							GKA127							GKAF127							GK127							GKF127							GKA127							GKAF127							GK127							GKF127							GKA127							GKAF127							GK127							GKF127							GKA127							GKAF127							GK127							GKF127							GKA127							GKAF127							GK127							GKF127							GKA127							GKAF127							GK127							GKF127							GKA127							GKAF127							GK127							GKF127																																																																																																																																																																																																																																																																																																																																																																																																																																																																																																																																																																																																																																																																																																																																																																																																																																																																																																																																																																																																																																																																																																																																				
					GKF127							GKA127							GKAF127							GK127							GKF127							GKA127							GKAF127							GK127							GKF127							GKA127							GKAF127							GK127							GKF127							GKA127							GKAF127							GK127							GKF127							GKA127							GKAF127							GK127							GKF127							GKA127							GKAF127							GK127							GKF127							GKA127							GKAF127							GK127							GKF127							GKA127							GKAF127							GK127							GKF127							GKA127							GKAF127							GK127							GKF127							GKA127							GKAF127							GK127							GKF127							GKA127							GKAF127							GK127							GKF127							GKA127							GKAF127							GK127							GKF127							GKA127							GKAF127							GK127							GKF127							GKA127							GKAF127							GK127							GKF127							GKA127							GKAF127							GK127							GKF127							GKA127							GKAF127							GK127							GKF127							GKA127							GKAF127							GK127							GKF127							GKA127							GKAF127							GK127							GKF127							GKA127							GKAF127							GK127							GKF127							GKA127							GKAF127							GK127							GKF127							GKA127							GKAF127							GK127							GKF127							GKA127							GKAF127							GK127							GKF127							GKA127							GKAF127							GK127							GKF127							GKA127							GKAF127							GK127							GKF127							GKA127							GKAF127							GK127							GKF127							GKA127							GKAF127							GK127							GKF127							GKA127							GKAF127							GK127							GKF127							GKA127							GKAF127							GK127							GKF127							GKA127							GKAF127							GK127							GKF127							GKA127							GKAF127							GK127							GKF127																																																																																																																																																																																																																																																																																																																																																																																																																																																																																																																																																																																																																																																																																																																																																																																																																																																																																																																																																																																																																																																																																																																																											
					GKA127							GKAF127							GK127							GKF127							GKA127							GKAF127							GK127							GKF127							GKA127							GKAF127							GK127							GKF127							GKA127							GKAF127							GK127							GKF127							GKA127							GKAF127							GK127							GKF127							GKA127							GKAF127							GK127							GKF127							GKA127							GKAF127							GK127							GKF127							GKA127							GKAF127							GK127							GKF127							GKA127							GKAF127							GK127							GKF127							GKA127							GKAF127							GK127							GKF127							GKA127							GKAF127							GK127							GKF127							GKA127							GKAF127							GK127							GKF127							GKA127							GKAF127							GK127							GKF127							GKA127							GKAF127							GK127							GKF127							GKA127							GKAF127							GK127							GKF127							GKA127							GKAF127							GK127							GKF127							GKA127							GKAF127							GK127							GKF127							GKA127							GKAF127							GK127							GKF127							GKA127							GKAF127							GK127							GKF127							GKA127							GKAF127							GK127							GKF127							GKA127							GKAF127							GK127							GKF127							GKA127							GKAF127							GK127							GKF127							GKA127							GKAF127							GK127							GKF127							GKA127							GKAF127							GK127							GKF127							GKA127							GKAF127							GK127							GKF127							GKA127							GKAF127							GK127							GKF127							GKA127							GKAF127							GK127							GKF127							GKA127							GKAF127							GK127							GKF127							GKA127							GKAF127							GK127							GKF127							GKA127							GKAF127							GK127							GKF127																																																																																																																																																																																																																																																																																																																																																																																																																																																																																																																																																																																																																																																																																																																																																																																																																																																																																																																																																																																																																																																																																																																																																		
					GKAF127																																																																																																																																																																																																																																																																																																																																																																																																																																																																																																																																																																																																																																																																																																																																																																																																																																																																																																																																																																																																																																																																																																																																																																																																																																																																																																																																																																																																																																																																																																																																																																																																																																																																																																																																																																																																																																																																																																																																																																																																																			
					GK127							GKF127							GKA127							GKAF127							GK127							GKF127							GKA127							GKAF127							GK127							GKF127							GKA127							GKAF127							GK127							GKF127							GKA127							GKAF127							GK127							GKF127							GKA127							GKAF127							GK127							GKF127							GKA127							GKAF127							GK127							GKF127							GKA127							GKAF127							GK127							GKF127							GKA127							GKAF127							GK127							GKF127							GKA127							GKAF127							GK127							GKF127							GKA127							GKAF127							GK127							GKF127							GKA127							GKAF127							GK127							GKF127							GKA127							GKAF127							GK127							GKF127							GKA127							GKAF127							GK127							GKF127							GKA127							GKAF127							GK127							GKF127							GKA127							GKAF127							GK127							GKF127							GKA127							GKAF127							GK127							GKF127							GKA127							GKAF127							GK127							GKF127							GKA127							GKAF127							GK127							GKF127							GKA127							GKAF127							GK127							GKF127							GKA127							GKAF127							GK127							GKF127							GKA127							GKAF127							GK127							GKF127							GKA127							GKAF127							GK127							GKF127							GKA127							GKAF127							GK127							GKF127							GKA127							GKAF127							GK127							GKF127							GKA127							GKAF127							GK127							GKF127							GKA127							GKAF127							GK127							GKF127							GKA127							GKAF127							GK127							GKF127							GKA127							GKAF127							GK127							GKF127							GKA127							GKAF127							GK127							GKF127																																																																																																																																																																																																																																																																																																																																																																																																																																																																																																																																																																																																																																																																																																																																																																																																																																																																																																																																																																																																																																																																																																																																																																
					GKF127							GKA127							GKAF127							GK127							GKF127							GKA127							GKAF127							GK127							GKF127							GKA127							GKAF127							GK127							GKF127							GKA127							GKAF127							GK127							GKF127							GKA127							GKAF127							GK127							GKF127							GKA127							GKAF127							GK127							GKF127							GKA127							GKAF127							GK127							GKF127							GKA127							GKAF127							GK127							GKF127							GKA127							GKAF127							GK127							GKF127							GKA127							GKAF127							GK127							GKF127							GKA127							GKAF127							GK127							GKF127							GKA127							GKAF127							GK127							GKF127							GKA127							GKAF127							GK127							GKF127							GKA127							GKAF127							GK127							GKF127							GKA127							GKAF127							GK127							GKF127							GKA127							GKAF127							GK127							GKF127							GKA127							GKAF127							GK127							GKF127							GKA127							GKAF127							GK127							GKF127							GKA127							GKAF127							GK127							GKF127							GKA127							GKAF127							GK127							GKF127							GKA127							GKAF127							GK127							GKF127							GKA127							GKAF127							GK127							GKF127							GKA127							GKAF127							GK127							GKF127							GKA127							GKAF127							GK127							GKF127							GKA127							GKAF127							GK127							GKF127							GKA127							GKAF127							GK127							GKF127							GKA127							GKAF127							GK127							GKF127							GKA127							GKAF127							GK127							GKF127							GKA127							GKAF127							GK127							GKF127																																																																																																																																																																																																																																																																																																																																																																																																																																																																																																																																																																																																																																																																																																																																																																																																																																																																																																																																																																																																																																																																																																																																																																							
					GKA127							GKAF127							GK127							GKF127							GKA127							GKAF127							GK127							GKF127							GKA127							GKAF127							GK127							GKF127							GKA127							GKAF127							GK127							GKF127							GKA127							GKAF127							GK127							GKF127							GKA127							GKAF127							GK127							GKF127							GKA127							GKAF127							GK127							GKF127							GKA127							GKAF127							GK127							GKF127							GKA127							GKAF127							GK127							GKF127							GKA127							GKAF127							GK127							GKF127							GKA127							GKAF127							GK127							GKF127							GKA127							GKAF127							GK127							GKF127							GKA127							GKAF127							GK127							GKF127							GKA127							GKAF127							GK127							GKF127							GKA127							GKAF127							GK127							GKF127							GKA127							GKAF127							GK127							GKF127							GKA127							GKAF127							GK127							GKF127							GKA127							GKAF127							GK127							GKF127							GKA127							GKAF127							GK127							GKF127							GKA127							GKAF127							GK127							GKF127							GKA127							GKAF127							GK127							GKF127							GKA127							GKAF127							GK127							GKF127							GKA127							GKAF127							GK127							GKF127							GKA127							GKAF127							GK127							GKF127							GKA127							GKAF127							GK127							GKF127							GKA127							GKAF127							GK127							GKF127							GKA127							GKAF127							GK127							GKF127							GKA127							GKAF127							GK127							GKF127							GKA127							GKAF127							GK127							GKF127																																																																																																																																																																																																																																																																																																																																																																																																																																																																																																																																																																																																																																																																																																																																																																																																																																																																																																																																																																																																																																																																																																																																																																														
					GKAF127																																																																																																																																																																																																																																																																																																																																																																																																																																																																																																																																																																																																																																																																																																																																																																																																																																																																																																																																																																																																																																																																																																																																																																																																																																																																																																																																																																																																																																																																																																																																																																																																																																																																																																																																																																																																																																																																																																																																																																																																																			
					GK127							GKF127							GKA127							GKAF127							GK127							GKF127							GKA127							GKAF127							GK127							GKF127							GKA127							GKAF127							GK127							GKF127							GKA127							GKAF127							GK127							GKF127							GKA127							GKAF127							GK127							GKF127							GKA127							GKAF127							GK127							GKF127							GKA127							GKAF127							GK127							GKF127							GKA127							GKAF127							GK127							GKF127							GKA127							GKAF127							GK127							GKF127							GKA127							GKAF127							GK127							GKF127							GKA127							GKAF127							GK127							GKF127							GKA127							GKAF127							GK127							GKF127							GKA127							GKAF127							GK127							GKF127							GKA127							GKAF127							GK127							GKF127							GKA127							GKAF127							GK127							GKF127							GKA127							GKAF127							GK127							GKF127							GKA127							GKAF127							GK127							GKF127							GKA127							GKAF127							GK127							GKF127							GKA127							GKAF127							GK127							GKF127							GKA127							GKAF127							GK127							GKF127							GKA127							GKAF127							GK127							GKF127							GKA127							GKAF127							GK127							GKF127							GKA127							GKAF127							GK127							GKF127							GKA127							GKAF127							GK127							GKF127							GKA127							GKAF127							GK127							GKF127							GKA127							GKAF127							GK127							GKF127							GKA127							GKAF127							GK127							GKF127							GKA127							GKAF127							GK127							GKF127																																																																																																																																																																																																																																																																																																																																																																																																																																																																																																																																																																																																																																																																																																																																																																																																																																																																																																																																																																																																																																																																																																																																																																																												
					GKF127							GKA127							GKAF127							GK127							GKF127							GKA127							GKAF127							GK127							GKF127							GKA127							GKAF127							GK127							GKF127							GKA127							GKAF127							GK127							GKF127							GKA127							GKAF127							GK127							GKF127							GKA127							GKAF127							GK127							GKF127							GKA127							GKAF127							GK127							GKF127							GKA127							GKAF127							GK127							GKF127							GKA127							GKAF127							GK127							GKF127							GKA127							GKAF127							GK127							GKF127							GKA127							GKAF127							GK127							GKF127							GKA127							GKAF127							GK127							GKF127							GKA127							GKAF127							GK127							GKF127							GKA127							GKAF127							GK127							GKF127							GKA127							GKAF127							GK127							GKF127							GKA127							GKAF127							GK127							GKF127							GKA127							GKAF127							GK127							GKF127							GKA127							GKAF127							GK127							GKF127							GKA127							GKAF127							GK127							GKF127							GKA127							GKAF127							GK127							GKF127							GKA127							GKAF127							GK127							GKF127							GKA127							GKAF127							GK127							GKF127							GKA127							GKAF127							GK127							GKF127							GKA127							GKAF127							GK127							GKF127							GKA127							GKAF127							GK127							GKF127							GKA127							GKAF127							GK127							GKF127							GKA127							GKAF127							GK127							GKF127							GKA127							GKAF127							GK127							GKF127																																																																																																																																																																																																																																																																																																																																																																																																																																																																																																																																																																																																																																																																																																																																																																																																																																																																																																																																																																																																																																																																																																																																																																																																			
					GKA127							GKAF127							GK127							GKF127							GKA127							GKAF127							GK127							GKF127							GKA127							GKAF127							GK127							GKF127							GKA127							GKAF127							GK127							GKF127							GKA127							GKAF127							GK127							GKF127							GKA127							GKAF127							GK127							GKF127							GKA127							GKAF127							GK127							GKF127							GKA127							GKAF127							GK127							GKF127							GKA127							GKAF127							GK127							GKF127							GKA127							GKAF127							GK127							GKF127							GKA127							GKAF127							GK127							GKF127							GKA127							GKAF127							GK127							GKF127							GKA127							GKAF127							GK127							GKF127							GKA127							GKAF127							GK127							GKF127							GKA127							GKAF127							GK127							GKF127							GKA127							GKAF127							GK127							GKF127							GKA127							GKAF127							GK127							GKF127							GKA127							GKAF127							GK127							GKF127							GKA127							GKAF127							GK127							GKF127							GKA127							GKAF127							GK127							GKF127							GKA127							GKAF127							GK127							GKF127							GKA127							GKAF127							GK127							GKF127							GKA127							GKAF127							GK127							GKF127							GKA127							GKAF127							GK127							GKF127							GKA127							GKAF127							GK127							GKF127							GKA127							GKAF127							GK127							GKF127							GKA127							GKAF127							GK127							GKF127							GKA127							GKAF127							GK127							GKF127																																																																																																																																																																																																																																																																																																																																																																																																																																																																																																																																																																																																																																																																																																																																																																																																																																																																																																																																																																																																																																																																																																																																																																																																										
					GKAF127																																																																																																																																																																																																																																																																																																																																																																																																																																																																																																																																																																																																																																																																																																																																																																																																																																																																																																																																																																																																																																																																																																																																																																																																																																																																																																																																																																																																																																																																																																																																																																																																																																																																																																																																																																																																																																																																																																																																																																																																																			
					GK127							GKF127							GKA127							GKAF127							GK127							GKF127							GKA127							GKAF127							GK127							GKF127							GKA127							GKAF127							GK127							GKF127							GKA127							GKAF127							GK127							GKF127							GKA127							GKAF127							GK127							GKF127							GKA127							GKAF127							GK127							GKF127							GKA127							GKAF127							GK127							GKF127							GKA127							GKAF127							GK127							GKF127							GKA127							GKAF127							GK127							GKF127							GKA127							GKAF127							GK127							GKF127							GKA127							GKAF127							GK127							GKF127							GKA127							GKAF127							GK127							GKF127							GKA127							GKAF127							GK127							GKF127							GKA127							GKAF127							GK127							GKF127							GKA127							GKAF127							GK127							GKF127							GKA127							GKAF127							GK127							GKF127							GKA127							GKAF127							GK127							GKF127							GKA127							GKAF127							GK127							GKF127							GKA127							GKAF127							GK127							GKF127							GKA127							GKAF127							GK127							GKF127							GKA127							GKAF127							GK127							GKF127							GKA127							GKAF127							GK127							GKF127							GKA127							GKAF127							GK127							GKF127							GKA127							GKAF127							GK127							GKF127							GKA127							GKAF127							GK127							GKF127							GKA127							GKAF127							GK127							GKF127							GKA127							GKAF127							GK127							GKF127																																																																																																																																																																																																																																																																																																																																																																																																																																																																																																																																																																																																																																																																																																																																																																																																																																																																																																																																																																																																																																																																																																																																																																																																																								
					GKF127							GKA127							GKAF127							GK127							GKF127							GKA127							GKAF127							GK127							GKF127							GKA127							GKAF127							GK127							GKF127							GKA127							GKAF127							GK127							GKF127							GKA127							GKAF127							GK127							GKF127							GKA127							GKAF127							GK127							GKF127							GKA127							GKAF127							GK127							GKF127							GKA127							GKAF127							GK127							GKF127							GKA127							GKAF127							GK127							GKF127							GKA127							GKAF127							GK127							GKF127							GKA127							GKAF127							GK127							GKF127							GKA127							GKAF127							GK127							GKF127							GKA127							GKAF127							GK127							GKF127							GKA127							GKAF127							GK127							GKF127							GKA127							GKAF127							GK127							GKF127							GKA127							GKAF127							GK127							GKF127							GKA127							GKAF127							GK127							GKF127							GKA127							GKAF127							GK127							GKF127							GKA127							GKAF127							GK127							GKF127							GKA127							GKAF127							GK127							GKF127							GKA127							GKAF127							GK127							GKF127							GKA127							GKAF127							GK127							GKF127							GKA127							GKAF127							GK127							GKF127							GKA127							GKAF127							GK127							GKF127							GKA127							GKAF127							GK127							GKF127							GKA127							GKAF127							GK127							GKF127							GKA127							GKAF127							GK127							GKF127																																																																																																																																																																																																																																																																																																																																																																																																																																																																																																																																																																																																																																																																																																																																																																																																																																																																																																																																																																																																																																																																																																																																																																																																																															
					GKA127							GKAF127							GK127							GKF127							GKA127							GKAF127							GK127							GKF127							GKA127							GKAF127							GK127							GKF127							GKA127							GKAF127							GK127							GKF127							GKA127							GKAF127							GK127							GKF127							GKA127							GKAF127							GK127							GKF127							GKA127							GKAF127							GK127							GKF127							GKA127							GKAF127							GK127							GKF127							GKA127							GKAF127							GK127							GKF127							GKA127							GKAF127							GK127							GKF127							GKA127							GKAF127							GK127							GKF127							GKA127							GKAF127							GK127							GKF127							GKA127							GKAF127							GK127							GKF127							GKA127							GKAF127							GK127							GKF127							GKA127							GKAF127							GK127							GKF127							GKA127							GKAF127							GK127							GKF127							GKA127							GKAF127							GK127							GKF127							GKA127							GKAF127							GK127							GKF127							GKA127							GKAF127							GK127							GKF127							GKA127							GKAF127							GK127							GKF127							GKA127							GKAF127							GK127							GKF127							GKA127							GKAF127							GK127							GKF127							GKA127							GKAF127							GK127							GKF127							GKA127							GKAF127							GK127							GKF127							GKA127							GKAF127							GK127							GKF127							GKA127							GKAF127							GK127							GKF127							GKA127							GKAF127							GK127							GKF127																																																																																																																																																																																																																																																																																																																																																																																																																																																																																																																																																																																																																																																																																																																																																																																																																																																																																																																																																																																																																																																																																																																																																																																																																																						
					GKAF127																																																																																																																																																																																																																																																																																																																																																																																																																																																																																																																																																																																																																																																																																																																																																																																																																																																																																																																																																																																																																																																																																																																																																																																																																																																																																																																																																																																																																																																																																																																																																																																																																																																																																																																																																																																																																																																																																																																																																																																																																			
					GK127							GKF127							GKA127							GKAF127							GK127							GKF127							GKA127							GKAF127							GK127							GKF127							GKA127							GKAF127							GK127							GKF127							GKA127							GKAF127							GK127							GKF127							GKA127							GKAF127							GK127							GKF127							GKA127							GKAF127							GK127							GKF127							GKA127							GKAF127							GK127							GKF127							GKA127							GKAF127							GK127							GKF127							GKA127							GKAF127							GK127							GKF127							GKA127							GKAF127							GK127							GKF127							GKA127							GKAF127							GK127							GKF127							GKA127							GKAF127							GK127							GKF127							GKA127							GKAF127							GK127							GKF127							GKA127							GKAF127							GK127							GKF127							GKA127							GKAF127							GK127							GKF127							GKA127							GKAF127							GK127							GKF127							GKA127							GKAF127							GK127							GKF127							GKA127							GKAF127							GK127							GKF127							GKA127							GKAF127							GK127							GKF127							GKA127							GKAF127							GK127							GKF127							GKA127							GKAF127							GK127							GKF127							GKA127							GKAF127							GK127							GKF127							GKA127							GKAF127							GK127							GKF127							GKA127							GKAF127							GK127							GKF127							GKA127							GKAF127							GK127							GKF127							GKA127							GKAF127							GK127							GKF127																																																																																																																																																																																																																																																																																																																																																																																																																																																																																																																																																																																																																																																																																																																																																																																																																																																																																																																																																																																																																																																																																																																																																																																																																																																				
					GKF127							GKA127							GKAF127							GK127							GKF127							GKA127							GKAF127							GK127							GKF127							GKA127							GKAF127							GK127							GKF127							GKA127							GKAF127							GK127							GKF127							GKA127							GKAF127							GK127							GKF127							GKA127							GKAF127							GK127							GKF127							GKA127							GKAF127							GK127							GKF127							GKA127							GKAF127							GK127							GKF127							GKA127							GKAF127							GK127							GKF127							GKA127							GKAF127							GK127							GKF127							GKA127							GKAF127							GK127							GKF127							GKA127							GKAF127							GK127							GKF127							GKA127							GKAF127							GK127							GKF127							GKA127							GKAF127							GK127							GKF127							GKA127							GKAF127							GK127							GKF127							GKA127							GKAF127							GK127							GKF127							GKA127							GKAF127							GK127							GKF127							GKA127							GKAF127							GK127							GKF127							GKA127							GKAF127							GK127							GKF127							GKA127							GKAF127							GK127							GKF127							GKA127							GKAF127							GK127							GKF127							GKA127							GKAF127							GK127							GKF127							GKA127							GKAF127							GK127							GKF127							GKA127							GKAF127							GK127							GKF127							GKA127							GKAF127							GK127							GKF127							GKA127							GKAF127							GK127							GKF127																																																																																																																																																																																																																																																																																																																																																																																																																																																																																																																																																																																																																																																																																																																																																																																																																																																																																																																																																																																																																																																																																																																																																																																																																																																											
					GKA127							GKAF127							GK127							GKF127							GKA127							GKAF127							GK127							GKF127							GKA127							GKAF127							GK127							GKF127							GKA127							GKAF127							GK127							GKF127							GKA127							GKAF127							GK127							GKF127							GKA127							GKAF127							GK127							GKF127							GKA127							GKAF127							GK127							GKF127							GKA127							GKAF127							GK127							GKF127							GKA127							GKAF127							GK127							GKF127							GKA127							GKAF127							GK127							GKF127							GKA127							GKAF127							GK127							GKF127							GKA127							GKAF127							GK127							GKF127							GKA127							GKAF127							GK127							GKF127							GKA127							GKAF127							GK127							GKF127							GKA127							GKAF127							GK127							GKF127							GKA127							GKAF127							GK127							GKF127							GKA127							GKAF127							GK127							GKF127							GKA127							GKAF127							GK127							GKF127							GKA127							GKAF127							GK127							GKF127							GKA127							GKAF127							GK127							GKF127							GKA127							GKAF127							GK127							GKF127							GKA127							GKAF127							GK127							GKF127							GKA127							GKAF127							GK127							GKF127							GKA127							GKAF127							GK127							GKF127							GKA127							GKAF127							GK127							GKF127							GKA127							GKAF127							GK127							GKF127																																																																																																																																																																																																																																																																																																																																																																																																																																																																																																																																																																																																																																																																																																																																																																																																																																																																																																																																																																																																																																																																																																																																																																																																																																																																		
					GKAF127																																																																																																																																																																																																																																																																																																																																																																																																																																																																																																																																																																																																																																																																																																																																																																																																																																																																																																																																																																																																																																																																																																																																																																																																																																																																																																																																																																																																																																																																																																																																																																																																																																																																																																																																																																																																																																																																																																																																																																																																																			
					GK127							GKF127							GKA127							GKAF127							GK127							GKF127							GKA127							GKAF127							GK127							GKF127							GKA127							GKAF127							GK127							GKF127							GKA127							GKAF127							GK127							GKF127							GKA127							GKAF127							GK127							GKF127							GKA127							GKAF127							GK127							GKF127							GKA127							GKAF127							GK127							GKF127							GKA127							GKAF127							GK127							GKF127							GKA127							GKAF127							GK127							GKF127							GKA127							GKAF127							GK127							GKF127							GKA127							GKAF127							GK127							GKF127							GKA127							GKAF127							GK127							GKF127							GKA127							GKAF127							GK127							GKF127							GKA127							GKAF127							GK127							GKF127							GKA127							GKAF127							GK127							GKF127							GKA127							GKAF127							GK127							GKF127							GKA127							GKAF127							GK127							GKF127							GKA127							GKAF127							GK127							GKF127							GKA127							GKAF127							GK127							GKF127							GKA127							GKAF127							GK127							GKF127							GKA127							GKAF127							GK127							GKF127							GKA127							GKAF127							GK127							GKF127							GKA127							GKAF127							GK127							GKF127							GKA127							GKAF127							GK127							GKF127							GKA127							GKAF127							GK127							GKF127																																																																																																																																																																																																																																																																																																																																																																																																																																																																																																																																																																																																																																																																																																																																																																																																																																																																																																																																																																																																																																																																																																																																																																																																																																																																																
					GKF127							GKA127							GKAF127							GK127							GKF127							GKA127							GKAF127							GK127							GKF127							GKA127							GKAF127							GK127							GKF127							GKA127							GKAF127							GK127							GKF127							GKA127							GKAF127							GK127							GKF127							GKA127							GKAF127							GK127							GKF127							GKA127							GKAF127							GK127							GKF127							GKA127							GKAF127							GK127							GKF127							GKA127							GKAF127							GK127							GKF127							GKA127							GKAF127							GK127							GKF127							GKA127							GKAF127							GK127							GKF127							GKA127							GKAF127							GK127							GKF127							GKA127							GKAF127							GK127							GKF127							GKA127							GKAF127							GK127							GKF127							GKA127							GKAF127							GK127							GKF127							GKA127							GKAF127							GK127							GKF127							GKA127							GKAF127							GK127							GKF127							GKA127							GKAF127							GK127							GKF127							GKA127							GKAF127							GK127							GKF127							GKA127							GKAF127							GK127							GKF127							GKA127							GKAF127							GK127							GKF127							GKA127							GKAF127							GK127							GKF127							GKA127							GKAF127							GK127							GKF127							GKA127							GKAF127							GK127							GKF127							GKA127							GKAF127							GK127							GKF127																																																																																																																																																																																																																																																																																																																																																																																																																																																																																																																																																																																																																																																																																																																																																																																																																																																																																																																																																																																																																																																																																																																																																																																																																																																																																							
					GKA127							GKAF127							GK127							GKF127							GKA127							GKAF127							GK127							GKF127							GKA127							GKAF127							GK127							GKF127							GKA127							GKAF127							GK127							GKF127							GKA127							GKAF127							GK127							GKF127							GKA127							GKAF127							GK127							GKF127							GKA127							GKAF127							GK127							GKF127							GKA127							GKAF127							GK127							GKF127							GKA127							GKAF127							GK127							GKF127							GKA127							GKAF127							GK127							GKF127							GKA127							GKAF127							GK127							GKF127							GKA127							GKAF127							GK127							GKF127							GKA127							GKAF127							GK127							GKF127							GKA127							GKAF127							GK127							GKF127							GKA127							GKAF127							GK127							GKF127							GKA127							GKAF127							GK127							GKF127							GKA127							GKAF127							GK127							GKF127							GKA127							GKAF127							GK127							GKF127							GKA127							GKAF127							GK127							GKF127							GKA127							GKAF127							GK127							GKF127							GKA127							GKAF127							GK127							GKF127							GKA127							GKAF127							GK127							GKF127							GKA127							GKAF127							GK127							GKF127							GKA127							GKAF127							GK127							GKF127							GKA127							GKAF127							GK127							GKF127																																																																																																																																																																																																																																																																																																																																																																																																																																																																																																																																																																																																																																																																																																																																																																																																																																																																																																																																																																																																																																																																																																																																																																																																																																																																																														
					GKAF127																																																																																																																																																																																																																																																																																																																																																																																																																																																																																																																																																																																																																																																																																																																																																																																																																																																																																																																																																																																																																																																																																																																																																																																																																																																																																																																																																																																																																																																																																																																																																																																																																																																																																																																																																																																																																																																																																																																																																																																																																			
					GK127							GKF127							GKA127							GKAF127							GK127							GKF127							GKA127							GKAF127							GK127							GKF127							GKA127							GKAF127							GK127							GKF127							GKA127							GKAF127							GK127							GKF127							GKA127							GKAF127							GK127							GKF127							GKA127							GKAF127							GK127							GKF127							GKA127							GKAF127							GK127							GKF127							GKA127							GKAF127							GK127							GKF127							GKA127							GKAF127							GK127							GKF127							GKA127							GKAF127							GK127							GKF127							GKA127							GKAF127							GK127							GKF127							GKA127							GKAF127							GK127							GKF127							GKA127							GKAF127							GK127							GKF127							GKA127							GKAF127							GK127							GKF127							GKA127							GKAF127							GK127							GKF127							GKA127							GKAF127							GK127							GKF127							GKA127							GKAF127							GK127							GKF127							GKA127							GKAF127							GK127							GKF127							GKA127							GKAF127							GK127							GKF127							GKA127							GKAF127							GK127							GKF127							GKA127							GKAF127							GK127							GKF127							GKA127							GKAF127							GK127							GKF127							GKA127							GKAF127							GK127							GKF127							GKA127							GKAF127							GK127							GKF127																																																																																																																																																																																																																																																																																																																																																																																																																																																																																																																																																																																																																																																																																																																																																																																																																																																																																																																																																																																																																																																																																																																																																																																																																																																																																																												
					GKF127							GKA127							GKAF127							GK127							GKF127							GKA127							GKAF127							GK127							GKF127							GKA127							GKAF127							GK127							GKF127							GKA127							GKAF127							GK127							GKF127							GKA127							GKAF127							GK127							GKF127							GKA127							GKAF127							GK127							GKF127							GKA127							GKAF127							GK127							GKF127							GKA127							GKAF127							GK127							GKF127							GKA127							GKAF127							GK127							GKF127							GKA127							GKAF127							GK127							GKF127							GKA127							GKAF127							GK127							GKF127							GKA127							GKAF127							GK127							GKF127							GKA127							GKAF127							GK127							GKF127							GKA127							GKAF127							GK127							GKF127							GKA127							GKAF127							GK127							GKF127							GKA127							GKAF127							GK127							GKF127							GKA127							GKAF127							GK127							GKF127							GKA127							GKAF127							GK127							GKF127							GKA127							GKAF127							GK127							GKF127							GKA127							GKAF127							GK127							GKF127							GKA127							GKAF127							GK127							GKF127							GKA127							GKAF127							GK127							GKF127							GKA127							GKAF127							GK127							GKF127							GKA127							GKAF127							GK127							GKF127																																																																																																																																																																																																																																																																																																																																																																																																																																																																																																																																																																																																																																																																																																																																																																																																																																																																																																																																																																																																																																																																																																																																																																																																																																																																																																																			
					GKA127							GKAF127							GK127							GKF127							GKA127							GKAF127							GK127							GKF127							GKA127							GKAF127							GK127							GKF127							GKA127							GKAF127							GK127							GKF127							GKA127							GKAF127							GK127							GKF127							GKA127							GKAF127							GK127							GKF127							GKA127							GKAF127							GK127							GKF127							GKA127							GKAF127							GK127							GKF127							GKA127							GKAF127							GK127							GKF127							GKA127							GKAF127							GK127							GKF127							GKA127							GKAF127							GK127							GKF127							GKA127							GKAF127							GK127							GKF127							GKA127							GKAF127							GK127							GKF127							GKA127							GKAF127							GK127							GKF127							GKA127							GKAF127							GK127							GKF127							GKA127							GKAF127							GK127							GKF127							GKA127							GKAF127							GK127							GKF127							GKA127							GKAF127							GK127							GKF127							GKA127							GKAF127							GK127							GKF127							GKA127							GKAF127							GK127							GKF127							GKA127							GKAF127							GK127							GKF127							GKA127							GKAF127							GK127							GKF127							GKA127							GKAF127							GK127							GKF127							GKA127							GKAF127							GK127							GKF127																																																																																																																																																																																																																																																																																																																																																																																																																																																																																																																																																																																																																																																																																																																																																																																																																																																																																																																																																																																																																																																																																																																																																																																																																																																																																																																										
					GKAF127																																																																																																																																																																																																																																																																																																																																																																																																																																																																																																																																																																																																																																																																																																																																																																																																																																																																																																																																																																																																																																																																																																																																																																																																																																																																																																																																																																																																																																																																																																																																																																																																																																																																																																																																																																																																																																																																																																																																																																																																																			
					GK127							GKF127							GKA127							GKAF127							GK127							GKF127							GKA127							GKAF127							GK127							GKF127							GKA127							GKAF127							GK127							GKF127							GKA127							GKAF127							GK127							GKF127							GKA127							GKAF127							GK127							GKF127							GKA127							GKAF127							GK127							GKF127							GKA127							GKAF127							GK127							GKF127							GKA127							GKAF127							GK127							GKF127							GKA127							GKAF127							GK127							GKF127							GKA127							GKAF127							GK127							GKF127							GKA127							GKAF127							GK127							GKF127							GKA127							GKAF127							GK127							GKF127							GKA127							GKAF127							GK127							GKF127							GKA127							GKAF127							GK127							GKF127							GKA127							GKAF127							GK127							GKF127							GKA127							GKAF127							GK127							GKF127							GKA127							GKAF127							GK127							GKF127							GKA127							GKAF127							GK127							GKF127							GKA127							GKAF127							GK127							GKF127							GKA127							GKAF127							GK127							GKF127							GKA127							GKAF127							GK127							GKF127							GKA127							GKAF127							GK127							GKF127							GKA127							GKAF127							GK127							GKF127																																																																																																																																																																																																																																																																																																																																																																																																																																																																																																																																																																																																																																																																																																																																																																																																																																																																																																																																																																																																																																																																																																																																																																																																																																																																																																																																								
					GKF127							GKA127							GKAF127							GK127							GKF127							GKA127							GKAF127							GK127							GKF127							GKA127							GKAF127							GK127							GKF127							GKA127							GKAF127							GK127							GKF127							GKA127							GKAF127							GK127							GKF127							GKA127							GKAF127							GK127							GKF127							GKA127							GKAF127							GK127							GKF127							GKA127							GKAF127							GK127							GKF127							GKA127							GKAF127							GK127							GKF127							GKA127							GKAF127							GK127							GKF127							GKA127							GKAF127							GK127							GKF127							GKA127							GKAF127							GK127							GKF127							GKA127							GKAF127							GK127							GKF127							GKA127							GKAF127							GK127							GKF127							GKA127							GKAF127							GK127							GKF127							GKA127							GKAF127							GK127							GKF127							GKA127							GKAF127							GK127							GKF127							GKA127							GKAF127							GK127							GKF127							GKA127							GKAF127							GK127							GKF127							GKA127							GKAF127							GK127							GKF127							GKA127							GKAF127							GK127							GKF127							GKA127							GKAF127							GK127							GKF127							GKA127							GKAF127							GK127							GKF127																																																																																																																																																																																																																																																																																																																																																																																																																																																																																																																																																																																																																																																																																																																																																																																																																																																																																																																																																																																																																																																																																																																																																																																																																																																																																																																																															
					GKA127							GKAF127							GK127							GKF127							GKA127							GKAF127							GK127							GKF127							GKA127							GKAF127							GK127							GKF127							GKA127							GKAF127							GK127							GKF127							GKA127							GKAF127							GK127							GKF127							GKA127							GKAF127							GK127							GKF127							GKA127							GKAF127							GK127							GKF127							GKA127							GKAF127							GK127							GKF127							GKA127							GKAF127							GK127							GKF127							GKA127							GKAF127							GK127							GKF127							GKA127							GKAF127							GK127							GKF127							GKA127							GKAF127							GK127							GKF127							GKA127							GKAF127							GK127							GKF127							GKA127							GKAF127							GK127							GKF127							GKA127							GKAF127							GK127							GKF127							GKA127							GKAF127							GK127							GKF127							GKA127							GKAF127							GK127							GKF127							GKA127							GKAF127							GK127							GKF127							GKA127							GKAF127							GK127							GKF127							GKA127							GKAF127							GK127							GKF127							GKA127							GKAF127							GK127							GKF127							GKA127							GKAF127							GK127							GKF127							GKA127							GKAF127							GK127							GKF127																																																																																																																																																																																																																																																																																																																																																																																																																																																																																																																																																																																																																																																																																																																																																																																																																																																																																																																																																																																																																																																																																																																																																																																																																																																																																																																																																						
					GKAF127																																																																																																																																																																																																																																																																																																																																																																																																																																																																																																																																																																																																																																																																																																																																																																																																																																																																																																																																																																																																																																																																																																																																																																																																																																																																																																																																																																																																																																																																																																																																																																																																																																																																																																																																																																																																																																																																																																																																																																																																																			
					GK127							GKF127							GKA127							GKAF127							GK127							GKF127							GKA127							GKAF127							GK127							GKF127							GKA127							GKAF127							GK127							GKF127							GKA127							GKAF127							GK127							GKF127							GKA127							GKAF127							GK127							GKF127							GKA127							GKAF127							GK127							GKF127							GKA127							GKAF127							GK127							GKF127							GKA127							GKAF127							GK127							GKF127							GKA127							GKAF127							GK127							GKF127							GKA127							GKAF127							GK127							GKF127							GKA127							GKAF127							GK127							GKF127							GKA127							GKAF127							GK127							GKF127							GKA127							GKAF127							GK127							GKF127							GKA127							GKAF127							GK127							GKF127							GKA127							GKAF127							GK127							GKF127							GKA127							GKAF127							GK127							GKF127							GKA127							GKAF127							GK127							GKF127							GKA127							GKAF127							GK127							GKF127							GKA127							GKAF127							GK127							GKF127							GKA127							GKAF127							GK127							GKF127							GKA127							GKAF127							GK127							GKF127							GKA127							GKAF127							GK127							GKF127																																																																																																																																																																																																																																																																																																																																																																																																																																																																																																																																																																																																																																																																																																																																																																																																																																																																																																																																																																																																																																																																																																																																																																																																																																																																																																																																																																				
					GKF127							GKA127							GKAF127							GK127							GKF127							GKA127							GKAF127							GK127							GKF127							GKA127							GKAF127							GK127							GKF127							GKA127							GKAF127							GK127							GKF127							GKA127							GKAF127							GK127							GKF127							GKA127							GKAF127							GK127							GKF127							GKA127							GKAF127							GK127							GKF127							GKA127							GKAF127							GK127							GKF127							GKA127							GKAF127							GK127							GKF127							GKA127							GKAF127							GK127							GKF127							GKA127							GKAF127							GK127							GKF127							GKA127							GKAF127							GK127							GKF127							GKA127							GKAF127							GK127							GKF127							GKA127							GKAF127							GK127							GKF127							GKA127							GKAF127							GK127							GKF127							GKA127							GKAF127							GK127							GKF127							GKA127							GKAF127							GK127							GKF127							GKA127							GKAF127							GK127							GKF127							GKA127							GKAF127							GK127							GKF127							GKA127							GKAF127							GK127							GKF127							GKA127							GKAF127							GK127							GKF127							GKA127							GKAF127							GK127							GKF127																																																																																																																																																																																																																																																																																																																																																																																																																																																																																																																																																																																																																																																																																																																																																																																																																																																																																																																																																																																																																																																																																																																																																																																																																																																																																																																																																																											
					GKA127							GKAF127							GK127							GKF127							GKA127							GKAF127							GK127							GKF127							GKA127							GKAF127							GK127							GKF127							GKA127							GKAF127							GK127							GKF127							GKA127							GKAF127							GK127							GKF127							GKA127							GKAF127							GK127							GKF127							GKA127							GKAF127							GK127							GKF127							GKA127							GKAF127							GK127							GKF127							GKA127							GKAF127							GK127							GKF127							GKA127							GKAF127							GK127							GKF127							GKA127							GKAF127							GK127							GKF127							GKA127							GKAF127							GK127							GKF127							GKA127							GKAF127							GK127							GKF127							GKA127							GKAF127							GK127							GKF127							GKA127							GKAF127							GK127							GKF127							GKA127							GKAF127							GK127							GKF127							GKA127							GKAF127							GK127							GKF127							GKA127							GKAF127							GK127							GKF127							GKA127							GKAF127							GK127							GKF127							GKA127							GKAF127							GK127							GKF127							GKA127							GKAF127							GK127							GKF127							GKA127							GKAF127							GK127							GKF127																																																																																																																																																																																																																																																																																																																																																																																																																																																																																																																																																																																																																																																																																																																																																																																																																																																																																																																																																																																																																																																																																																																																																																																																																																																																																																																																																																																		
					GKAF127																																																																																																																																																																																																																																																																																																																																																																																																																																																																																																																																																																																																																																																																																																																																																																																																																																																																																																																																																																																																																																																																																																																																																																																																																																																																																																																																																																																																																																																																																																																																																																																																																																																																																																																																																																																																																																																																																																																																																																																																																			
					GK127							GKF127							GKA127							GKAF127							GK127							GKF127							GKA127							GKAF127							GK127							GKF127							GKA127							GKAF127							GK127							GKF127							GKA127							GKAF127							GK127							GKF127							GKA127							GKAF127							GK127							GKF127							GKA127							GKAF127							GK127							GKF127							GKA127							GKAF127							GK127							GKF127							GKA127							GKAF127							GK127							GKF127							GKA127							GKAF127							GK127							GKF127							GKA127							GKAF127							GK127							GKF127							GKA127							GKAF127							GK127							GKF127							GKA127							GKAF127							GK127							GKF127							GKA127							GKAF127							GK127							GKF127							GKA127							GKAF127							GK127							GKF127							GKA127							GKAF127							GK127							GKF127							GKA127							GKAF127							GK127							GKF127							GKA127							GKAF127							GK127							GKF127							GKA127							GKAF127							GK127							GKF127							GKA127							GKAF127							GK127							GKF127							GKA127							GKAF127							GK127							GKF127							GKA127							GKAF127							GK127							GKF127																																																																																																																																																																																																																																																																																																																																																																																																																																																																																																																																																																																																																																																																																																																																																																																																																																																																																																																																																																																																																																																																																																																																																																																																																																																																																																																																																																																																
					GKF127							GKA127							GKAF127							GK127							GKF127							GKA127							GKAF127							GK127							GKF127							GKA127							GKAF127							GK127							GKF127							GKA127							GKAF127							GK127							GKF127							GKA127							GKAF127							GK127							GKF127							GKA127							GKAF127							GK127							GKF127							GKA127							GKAF127							GK127							GKF127							GKA127							GKAF127							GK127							GKF127							GKA127							GKAF127							GK127							GKF127							GKA127							GKAF127							GK127							GKF127							GKA127							GKAF127							GK127							GKF127							GKA127							GKAF127							GK127							GKF127							GKA127							GKAF127							GK127							GKF127							GKA127							GKAF127							GK127							GKF127							GKA127							GKAF127							GK127							GKF127							GKA127							GKAF127							GK127							GKF127							GKA127							GKAF127							GK127							GKF127							GKA127							GKAF127							GK127							GKF127							GKA127							GKAF127							GK127							GKF127							GKA127							GKAF127							GK127							GKF127							GKA127							GKAF127							GK127							GKF127																																																																																																																																																																																																																																																																																																																																																																																																																																																																																																																																																																																																																																																																																																																																																																																																																																																																																																																																																																																																																																																																																																																																																																																																																																																																																																																																																																																																							
					GKA127							GKAF127							GK127							GKF127							GKA127							GKAF127							GK127							GKF127							GKA127							GKAF127							GK127							GKF127							GKA127							GKAF127							GK127							GKF127							GKA127							GKAF127							GK127							GKF127							GKA127							GKAF127							GK127							GKF127							GKA127							GKAF127							GK127							GKF127							GKA127							GKAF127							GK127							GKF127							GKA127							GKAF127							GK127							GKF127							GKA127							GKAF127							GK127							GKF127							GKA127							GKAF127							GK127							GKF127							GKA127							GKAF127							GK127							GKF127							GKA127							GKAF127							GK127							GKF127							GKA127							GKAF127							GK127							GKF127							GKA127							GKAF127							GK127							GKF127							GKA127							GKAF127							GK127							GKF127							GKA127							GKAF127							GK127							GKF127							GKA127							GKAF127							GK127							GKF127							GKA127							GKAF127							GK127							GKF127							GKA127							GKAF127							GK127							GKF127							GKA127							GKAF127							GK127							GKF127																																																																																																																																																																																																																																																																																																																																																																																																																																																																																																																																																																																																																																																																																																																																																																																																																																																																																																																																																																																																																																																																																																																																																																																																																																																																																																																																																																																																														
					GKAF127																																																																																																																																																																																																																																																																																																																																																																																																																																																																																																																																																																																																																																																																																																																																																																																																																																																																																																																																																																																																																																																																																																																																																																																																																																																																																																																																																																																																																																																																																																																																																																																																																																																																																																																																																																																																																																																																																																																																																																																																																			
					GK127							GKF127							GKA127							GKAF127							GK127							GKF127							GKA127							GKAF127							GK127							GKF127							GKA127							GKAF127							GK127							GKF127							GKA127							GKAF127							GK127							GKF127							GKA127							GKAF127							GK127							GKF127							GKA127							GKAF127							GK127							GKF127							GKA127							GKAF127							GK127							GKF127							GKA127							GKAF127							GK127							GKF127							GKA127							GKAF127							GK127							GKF127							GKA127							GKAF127							GK127							GKF127							GKA127							GKAF127							GK127							GKF127							GKA127							GKAF127							GK127							GKF127							GKA127							GKAF127							GK127							GKF127							GKA127							GKAF127							GK127							GKF127							GKA127							GKAF127							GK127							GKF127							GKA127							GKAF127							GK127							GKF127							GKA127							GKAF127							GK127							GKF127							GKA127							GKAF127							GK127							GKF127							GKA127							GKAF127							GK127							GKF127							GKA127							GKAF127							GK127							GKF127																																																																																																																																																																																																																																																																																																																																																																																																																																																																																																																																																																																																																																																																																																																																																																																																																																																																																																																																																																																																																																																																																																																																																																																																																																																																																																																																																																																																																												
					GKF127							GKA127							GKAF127							GK127							GKF127							GKA127							GKAF127							GK127							GKF127							GKA127							GKAF127							GK127							GKF127							GKA127							GKAF127							GK127							GKF127							GKA127							GKAF127							GK127							GKF127							GKA127							GKAF127							GK127							GKF127							GKA127							GKAF127							GK127							GKF127							GKA127							GKAF127							GK127							GKF127							GKA127							GKAF127							GK127							GKF127							GKA127							GKAF127							GK127							GKF127							GKA127							GKAF127							GK127							GKF127							GKA127							GKAF127							GK127							GKF127							GKA127							GKAF127							GK127							GKF127							GKA127							GKAF127							GK127							GKF127							GKA127							GKAF127							GK127							GKF127							GKA127							GKAF127							GK127							GKF127							GKA127							GKAF127							GK127							GKF127							GKA127							GKAF127							GK127							GKF127							GKA127							GKAF127							GK127							GKF127							GKA127							GKAF127							GK127							GKF127																																																																																																																																																																																																																																																																																																																																																																																																																																																																																																																																																																																																																																																																																																																																																																																																																																																																																																																																																																																																																																																																																																																																																																																																																																																																																																																																																																																																																																			
					GKA127							GKAF127							GK127							GKF127							GKA127							GKAF127							GK127							GKF127							GKA127							GKAF127							GK127							GKF127							GKA127							GKAF127							GK127							GKF127							GKA127							GKAF127							GK127							GKF127							GKA127							GKAF127							GK127							GKF127							GKA127							GKAF127							GK127							GKF127							GKA127							GKAF127							GK127							GKF127							GKA127							GKAF127							GK127							GKF127							GKA127							GKAF127							GK127							GKF127							GKA127							GKAF127							GK127							GKF127							GKA127							GKAF127							GK127							GKF127							GKA127							GKAF127							GK127							GKF127							GKA127							GKAF127							GK127							GKF127							GKA127							GKAF127							GK127							GKF127							GKA127							GKAF127							GK127							GKF127							GKA127							GKAF127							GK127							GKF127							GKA127							GKAF127							GK127							GKF127							GKA127							GKAF127							GK127							GKF127							GKA127							GKAF127							GK127							GKF127																																																																																																																																																																																																																																																																																																																																																																																																																																																																																																																																																																																																																																																																																																																																																																																																																																																																																																																																																																																																																																																																																																																																																																																																																																																																																																																																																																																																																																										
					GKAF127																																																																																																																																																																																																																																																																																																																																																																																																																																																																																																																																																																																																																																																																																																																																																																																																																																																																																																																																																																																																																																																																																																																																																																																																																																																																																																																																																																																																																																																																																																																																																																																																																																																																																																																																																																																																																																																																																																																																																																																																																			
					GK127							GKF127							GKA127							GKAF127							GK127							GKF127							GKA127							GKAF127							GK127							GKF127							GKA127							GKAF127							GK127							GKF127							GKA127							GKAF127							GK127							GKF127							GKA127							GKAF127							GK127							GKF127							GKA127							GKAF127							GK127							GKF127							GKA127							GKAF127							GK127							GKF127							GKA127							GKAF127							GK127							GKF127							GKA127							GKAF127							GK127							GKF127							GKA127							GKAF127							GK127							GKF127							GKA127							GKAF127							GK127							GKF127							GKA127							GKAF127							GK127							GKF127							GKA127							GKAF127							GK127							GKF127							GKA127							GKAF127							GK127							GKF127							GKA127							GKAF127							GK127							GKF127							GKA127							GKAF127							GK127							GKF127							GKA127							GKAF127							GK127							GKF127							GKA127							GKAF127							GK127							GKF127							GKA127							GKAF127							GK127							GKF127																																																																																																																																																																																																																																																																																																																																																																																																																																																																																																																																																																																																																																																																																																																																																																																																																																																																																																																																																																																																																																																																																																																																																																																																																																																																																																																																																																																																																																																								
					GKF127							GKA127							GKAF127							GK127							GKF127							GKA127							GKAF127							GK127							GKF127							GKA127							GKAF127							GK127							GKF127							GKA127							GKAF127							GK127							GKF127							GKA127							GKAF127							GK127							GKF127							GKA127							GKAF127							GK127							GKF127							GKA127							GKAF127							GK127							GKF127							GKA127							GKAF127							GK127							GKF127							GKA127							GKAF127							GK127							GKF127							GKA127							GKAF127							GK127							GKF127							GKA127							GKAF127							GK127							GKF127							GKA127							GKAF127							GK127							GKF127							GKA127							GKAF127							GK127							GKF127							GKA127							GKAF127							GK127							GKF127							GKA127							GKAF127							GK127							GKF127							GKA127							GKAF127							GK127							GKF127							GKA127							GKAF127							GK127							GKF127							GKA127							GKAF127							GK127							GKF127							GKA127							GKAF127							GK127							GKF127																																																																																																																																																																																																																																																																																																																																																																																																																																																																																																																																																																																																																																																																																																																																																																																																																																																																																																																																																																																																																																																																																																																																																																																																																																																																																																																																																																																																																																																															
					GKA127							GKAF127							GK127							GKF127							GKA127							GKAF127							GK127							GKF127							GKA127							GKAF127							GK127							GKF127							GKA127							GKAF127							GK127							GKF127							GKA127							GKAF127							GK127							GKF127							GKA127							GKAF127							GK127							GKF127							GKA127							GKAF127							GK127							GKF127							GKA127							GKAF127							GK127							GKF127							GKA127							GKAF127							GK127							GKF127							GKA127							GKAF127							GK127							GKF127							GKA127							GKAF127							GK127							GKF127							GKA127							GKAF127							GK127							GKF127							GKA127							GKAF127							GK127							GKF127							GKA127							GKAF127							GK127							GKF127							GKA127							GKAF127							GK127							GKF127							GKA127							GKAF127							GK127							GKF127							GKA127							GKAF127							GK127							GKF127							GKA127							GKAF127							GK127							GKF127							GKA127							GKAF127							GK127							GKF127																																																																																																																																																																																																																																																																																																																																																																																																																																																																																																																																																																																																																																																																																																																																																																																																																																																																																																																																																																																																																																																																																																																																																																																																																																																																																																																																																																																																																																																																						
					GKAF127																																																																																																																																																																																																																																																																																																																																																																																																																																																																																																																																																																																																																																																																																																																																																																																																																																																																																																																																																																																																																																																																																																																																																																																																																																																																																																																																																																																																																																																																																																																																																																																																																																																																																																																																																																																																																																																																																																																																																																																																																			
					GK127							GKF127							GKA127							GKAF127							GK127							GKF127							GKA127							GKAF127							GK127							GKF127							GKA127							GKAF127							GK127							GKF127							GKA127							GKAF127							GK127							GKF127							GKA127							GKAF127							GK127							GKF127							GKA127							GKAF127							GK127							GKF127							GKA127							GKAF127							GK127							GKF127							GKA127							GKAF127							GK127							GKF127							GKA127							GKAF127							GK127							GKF127							GKA127							GKAF127							GK127							GKF127							GKA127							GKAF127							GK127							GKF127							GKA127							GKAF127							GK127							GKF127							GKA127							GKAF127							GK127							GKF127							GKA127							GKAF127							GK127							GKF127							GKA127							GKAF127							GK127							GKF127							GKA127							GKAF127							GK127							GKF127							GKA127							GKAF127							GK127							GKF127							GKA127							GKAF127							GK127							GKF127																																																																																																																																																																																																																																																																																																																																																																																																																																																																																																																																																																																																																																																																																																																																																																																																																																																																																																																																																																																																																																																																																																																																																																																																																																																																																																																																																																																																																																																																																				
					GKF127							GKA127							GKAF127							GK127							GKF127							GKA127							GKAF127							GK127							GKF127							GKA127							GKAF127							GK127							GKF127							GKA127							GKAF127							GK127							GKF127							GKA127							GKAF127							GK127							GKF127							GKA127							GKAF127							GK127							GKF127							GKA127							GKAF127							GK127							GKF127							GKA127							GKAF127							GK127							GKF127							GKA127							GKAF127							GK127							GKF127							GKA127							GKAF127							GK127							GKF127							GKA127							GKAF127							GK127							GKF127							GKA127							GKAF127							GK127							GKF127							GKA127							GKAF127							GK127							GKF127							GKA127							GKAF127							GK127							GKF127							GKA127							GKAF127							GK127							GKF127							GKA127							GKAF127							GK127							GKF127							GKA127							GKAF127							GK127							GKF127							GKA127							GKAF127							GK127							GKF127																																																																																																																																																																																																																																																																																																																																																																																																																																																																																																																																																																																																																																																																																																																																																																																																																																																																																																																																																																																																																																																																																																																																																																																																																																																																																																																																																																																																																																																																																											
					GKA127							GKAF127							GK127							GKF127							GKA127							GKAF127							GK127							GKF127							GKA127							GKAF127							GK127							GKF127							GKA127							GKAF127							GK127							GKF127							GKA127							GKAF127							GK127							GKF127							GKA127							GKAF127							GK127							GKF127							GKA127							GKAF127							GK127							GKF127							GKA127							GKAF127							GK127							GKF127							GKA127							GKAF127							GK127							GKF127							GKA127							GKAF127							GK127							GKF127							GKA127							GKAF127							GK127							GKF127							GKA127							GKAF127							GK127							GKF127							GKA127							GKAF127							GK127							GKF127							GKA127							GKAF127							GK127							GKF127							GKA127							GKAF127							GK127							GKF127							GKA127							GKAF127							GK127							GKF127							GKA127							GKAF127							GK127							GKF127							GKA127							GKAF127							GK127							GKF127																																																																																																																																																																																																																																																																																																																																																																																																																																																																																																																																																																																																																																																																																																																																																																																																																																																																																																																																																																																																																																																																																																																																																																																																																																																																																																																																																																																																																																																																																																		
					GKAF127																																																																																																																																																																																																																																																																																																																																																																																																																																																																																																																																																																																																																																																																																																																																																																																																																																																																																																																																																																																																																																																																																																																																																																																																																																																																																																																																																																																																																																																																																																																																																																																																																																																																																																																																																																																																																																																																																																																																																																																																																			
					GK127							GKF127							GKA127							GKAF127							GK127							GKF127							GKA127							GKAF127							GK127							GKF127							GKA127							GKAF127							GK127							GKF127							GKA127							GKAF127							GK127							GKF127							GKA127							GKAF127							GK127							GKF127							GKA127							GKAF127							GK127							GKF127							GKA127							GKAF127							GK127							GKF127							GKA127							GKAF127							GK127							GKF127							GKA127							GKAF127							GK127							GKF127							GKA127							GKAF127							GK127							GKF127							GKA127							GKAF127							GK127							GKF127							GKA127							GKAF127							GK127							GKF127							GKA127							GKAF127							GK127							GKF127							GKA127							GKAF127							GK127							GKF127							GKA127							GKAF127							GK127							GKF127							GKA127							GKAF127							GK127							GKF127							GKA127							GKAF127							GK127							GKF127																																																																																																																																																																																																																																																																																																																																																																																																																																																																																																																																																																																																																																																																																																																																																																																																																																																																																																																																																																																																																																																																																																																																																																																																																																																																																																																																																																																																																																																																																																																
					GKF127							GKA127							GKAF127							GK127							GKF127							GKA127							GKAF127							GK127							GKF127							GKA127							GKAF127							GK127							GKF127							GKA127							GKAF127							GK127							GKF127							GKA127							GKAF127							GK127							GKF127							GKA127							GKAF127							GK127							GKF127							GKA127							GKAF127							GK127							GKF127							GKA127							GKAF127							GK127							GKF127							GKA127							GKAF127							GK127							GKF127							GKA127							GKAF127							GK127							GKF127							GKA127							GKAF127							GK127							GKF127							GKA127							GKAF127							GK127							GKF127							GKA127							GKAF127							GK127							GKF127							GKA127							GKAF127							GK127							GKF127							GKA127							GKAF127							GK127							GKF127							GKA127							GKAF127							GK127							GKF127							GKA127							GKAF127							GK127							GKF127																																																																																																																																																																																																																																																																																																																																																																																																																																																																																																																																																																																																																																																																																																																																																																																																																																																																																																																																																																																																																																																																																																																																																																																																																																																																																																																																																																																																																																																																																																																							
					GKA127							GKAF127							GK127							GKF127							GKA127							GKAF127							GK127							GKF127							GKA127							GKAF127							GK127							GKF127							GKA127							GKAF127							GK127							GKF127							GKA127							GKAF127							GK127							GKF127							GKA127							GKAF127							GK127							GKF127							GKA127							GKAF127							GK127							GKF127							GKA127							GKAF127							GK127							GKF127							GKA127							GKAF127							GK127							GKF127							GKA127							GKAF127							GK127							GKF127							GKA127							GKAF127							GK127							GKF127							GKA127							GKAF127							GK127							GKF127							GKA127							GKAF127							GK127							GKF127							GKA127							GKAF127							GK127							GKF127							GKA127							GKAF127							GK127							GKF127							GKA127							GKAF127							GK127							GKF127							GKA127							GKAF127							GK127							GKF127																																																																																																																																																																																																																																																																																																																																																																																																																																																																																																																																																																																																																																																																																																																																																																																																																																																																																																																																																																																																																																																																																																																																																																																																																																																																																																																																																																																																																																																																																																																														
					GKAF127																																																																																																																																																																																																																																																																																																																																																																																																																																																																																																																																																																																																																																																																																																																																																																																																																																																																																																																																																																																																																																																																																																																																																																																																																																																																																																																																																																																																																																																																																																																																																																																																																																																																																																																																																																																																																																																																																																																																																																																																																			
					GK127							GKF127							GKA127							GKAF127							GK127							GKF127							GKA127							GKAF127							GK127							GKF127							GKA127							GKAF127							GK127							GKF127							GKA127							GKAF127							GK127							GKF127							GKA127							GKAF127							GK127							GKF127							GKA127							GKAF127							GK127							GKF127							GKA127							GKAF127							GK127							GKF127							GKA127							GKAF127							GK127							GKF127							GKA127							GKAF127							GK127							GKF127							GKA127							GKAF127							GK127							GKF127							GKA127							GKAF127							GK127							GKF127							GKA127							GKAF127							GK127							GKF127							GKA127							GKAF127							GK127							GKF127							GKA127							GKAF127							GK127							GKF127							GKA127							GKAF127							GK127							GKF127							GKA127							GKAF127							GK127							GKF127																																																																																																																																																																																																																																																																																																																																																																																																																																																																																																																																																																																																																																																																																																																																																																																																																																																																																																																																																																																																																																																																																																																																																																																																																																																																																																																																																																																																																																																																																																																																												
					GKF127							GKA127							GKAF127							GK127							GKF127							GKA127							GKAF127							GK127							GKF127							GKA127							GKAF127							GK127							GKF127							GKA127							GKAF127							GK127							GKF127							GKA127							GKAF127							GK127							GKF127							GKA127							GKAF127							GK127							GKF127							GKA127							GKAF127							GK127							GKF127							GKA127							GKAF127							GK127							GKF127							GKA127							GKAF127							GK127							GKF127							GKA127							GKAF127							GK127							GKF127							GKA127							GKAF127							GK127							GKF127							GKA127							GKAF127							GK127							GKF127							GKA127							GKAF127							GK127							GKF127							GKA127							GKAF127							GK127							GKF127							GKA127							GKAF127							GK127							GKF127							GKA127							GKAF127							GK127							GKF127																																																																																																																																																																																																																																																																																																																																																																																																																																																																																																																																																																																																																																																																																																																																																																																																																																																																																																																																																																																																																																																																																																																																																																																																																																																																																																																																																																																																																																																																																																																																																			
					GKA127							GKAF127							GK127							GKF127							GKA127							GKAF127							GK127							GKF127							GKA127							GKAF127							GK127							GKF127							GKA127							GKAF127							GK127							GKF127							GKA127							GKAF127							GK127							GKF127							GKA127							GKAF127							GK127							GKF127							GKA127							GKAF127							GK127							GKF127							GKA127							GKAF127							GK127							GKF127							GKA127							GKAF127							GK127							GKF127							GKA127							GKAF127							GK127							GKF127							GKA127							GKAF127							GK127							GKF127							GKA127							GKAF127							GK127							GKF127							GKA127							GKAF127							GK127							GKF127							GKA127							GKAF127							GK127							GKF127							GKA127							GKAF127							GK127							GKF127							GKA127							GKAF127							GK127							GKF127																																																																																																																																																																																																																																																																																																																																																																																																																																																																																																																																																																																																																																																																																																																																																																																																																																																																																																																																																																																																																																																																																																																																																																																																																																																																																																																																																																																																																																																																																																																																																										
					GKAF127																																																																																																																																																																																																																																																																																																																																																																																																																																																																																																																																																																																																																																																																																																																																																																																																																																																																																																																																																																																																																																																																																																																																																																																																																																																																																																																																																																																																																																																																																																																																																																																																																																																																																																																																																																																																																																																																																																																																																																																																																			
					GK127							GKF127							GKA127							GKAF127							GK127							GKF127							GKA127							GKAF127							GK127							GKF127							GKA127							GKAF127							GK127							GKF127							GKA127							GKAF127							GK127							GKF127							GKA127							GKAF127							GK127							GKF127							GKA127							GKAF127							GK127							GKF127							GKA127							GKAF127							GK127							GKF127							GKA127							GKAF127							GK127							GKF127							GKA127							GKAF127							GK127							GKF127							GKA127							GKAF127							GK127							GKF127							GKA127							GKAF127							GK127							GKF127							GKA127							GKAF127							GK127							GKF127							GKA127							GKAF127							GK127							GKF127							GKA127							GKAF127							GK127							GKF127							GKA127							GKAF127							GK127							GKF127																																																																																																																																																																																																																																																																																																																																																																																																																																																																																																																																																																																																																																																																																																																																																																																																																																																																																																																																																																																																																																																																																																																																																																																																																																																																																																																																																																																																																																																																																																																																																																								
					GKF127							GKA127							GKAF127							GK127							GKF127							GKA127							GKAF127							GK127							GKF127							GKA127							GKAF127							GK127							GKF127							GKA127							GKAF127							GK127							GKF127							GKA127							GKAF127							GK127							GKF127							GKA127							GKAF127							GK127							GKF127							GKA127							GKAF127							GK127							GKF127							GKA127							GKAF127							GK127							GKF127							GKA127							GKAF127							GK127							GKF127							GKA127							GKAF127							GK127							GKF127							GKA127							GKAF127							GK127							GKF127							GKA127							GKAF127							GK127							GKF127							GKA127							GKAF127							GK127							GKF127							GKA127							GKAF127							GK127							GKF127							GKA127							GKAF127							GK127							GKF127																																																																																																																																																																																																																																																																																																																																																																																																																																																																																																																																																																																																																																																																																																																																																																																																																																																																																																																																																																																																																																																																																																																																																																																																																																																																																																																																																																																																																																																																																																																																																																															
					GKA127							GKAF127							GK127							GKF127							GKA127							GKAF127							GK127							GKF127							GKA127							GKAF127							GK127							GKF127							GKA127							GKAF127							GK127							GKF127							GKA127							GKAF127							GK127							GKF127							GKA127							GKAF127							GK127							GKF127							GKA127							GKAF127							GK127							GKF127							GKA127							GKAF127							GK127							GKF127							GKA127							GKAF127							GK127							GKF127							GKA127							GKAF127							GK127							GKF127							GKA127							GKAF127							GK127							GKF127							GKA127							GKAF127							GK127							GKF127							GKA127							GKAF127							GK127							GKF127							GKA127							GKAF127							GK127							GKF127							GKA127							GKAF127							GK127							GKF127																																																																																																																																																																																																																																																																																																																																																																																																																																																																																																																																																																																																																																																																																																																																																																																																																																																																																																																																																																																																																																																																																																																																																																																																																																																																																																																																																																																																																																																																																																																																																																																						
					GKAF127																																																																																																																																																																																																																																																																																																																																																																																																																																																																																																																																																																																																																																																																																																																																																																																																																																																																																																																																																																																																																																																																																																																																																																																																																																																																																																																																																																																																																																																																																																																																																																																																																																																																																																																																																																																																																																																																																																																																																																																																																			
					GK127							GKF127							GKA127							GKAF127							GK127							GKF127							GKA127							GKAF127							GK127							GKF127							GKA127							GKAF127							GK127							GKF127							GKA127							GKAF127							GK127							GKF127							GKA127							GKAF127							GK127							GKF127							GKA127							GKAF127							GK127							GKF127							GKA127							GKAF127							GK127							GKF127							GKA127							GKAF127							GK127							GKF127							GKA127							GKAF127							GK127							GKF127							GKA127							GKAF127							GK127							GKF127							GKA127							GKAF127							GK127							GKF127							GKA127							GKAF127							GK127							GKF127							GKA127							GKAF127							GK127							GKF127							GKA127							GKAF127							GK127							GKF127																																																																																																																																																																																																																																																																																																																																																																																																																																																																																																																																																																																																																																																																																																																																																																																																																																																																																																																																																																																																																																																																																																																																																																																																																																																																																																																																																																																																																																																																																																																																																																																																				
					GKF127							GKA127							GKAF127							GK127							GKF127							GKA127							GKAF127							GK127							GKF127							GKA127							GKAF127							GK127							GKF127							GKA127							GKAF127							GK127							GKF127							GKA127							GKAF127							GK127							GKF127							GKA127							GKAF127							GK127							GKF127							GKA127							GKAF127							GK127							GKF127							GKA127							GKAF127							GK127							GKF127							GKA127							GKAF127							GK127							GKF127							GKA127							GKAF127							GK127							GKF127							GKA127							GKAF127							GK127							GKF127							GKA127							GKAF127							GK127							GKF127							GKA127							GKAF127							GK127							GKF127							GKA127							GKAF127							GK127							GKF127																																																																																																																																																																																																																																																																																																																																																																																																																																																																																																																																																																																																																																																																																																																																																																																																																																																																																																																																																																																																																																																																																																																																																																																																																																																																																																																																																																																																																																																																																																																																																																																																											
					GKA127							GKAF127							GK127							GKF127							GKA127							GKAF127							GK127							GKF127							GKA127							GKAF127							GK127							GKF127							GKA127							GKAF127							GK127							GKF127							GKA127							GKAF127							GK127							GKF127							GKA127							GKAF127							GK127							GKF127							GKA127							GKAF127							GK127							GKF127							GKA127							GKAF127							GK127							GKF127							GKA127							GKAF127							GK127							GKF127							GKA127							GKAF127							GK127							GKF127							GKA127							GKAF127							GK127							GKF127							GKA127							GKAF127							GK127							GKF127							GKA127							GKAF127							GK127							GKF127							GKA127							GKAF127							GK127							GKF127																																																																																																																																																																																																																																																																																																																																																																																																																																																																																																																																																																																																																																																																																																																																																																																																																																																																																																																																																																																																																																																																																																																																																																																																																																																																																																																																																																																																																																																																																																																																																																																																																		
					GKAF127																																																																																																																																																																																																																																																																																																																																																																																																																																																																																																																																																																																																																																																																																																																																																																																																																																																																																																																																																																																																																																																																																																																																																																																																																																																																																																																																																																																																																																																																																																																																																																																																																																																																																																																																																																																																																																																																																																																																																																																																																			
					GK127							GKF127							GKA127							GKAF127							GK127							GKF127							GKA127							GKAF127							GK127							GKF127							GKA127							GKAF127							GK127							GKF127							GKA127							GKAF127							GK127							GKF127							GKA127							GKAF127							GK127							GKF127							GKA127							GKAF127							GK127							GKF127							GKA127							GKAF127							GK127							GKF127							GKA127							GKAF127							GK127							GKF127							GKA127							GKAF127							GK127							GKF127							GKA127							GKAF127							GK127							GKF127							GKA127							GKAF127							GK127							GKF127							GKA127							GKAF127							GK127							GKF127							GKA127							GKAF127							GK127							GKF127																																																																																																																																																																																																																																																																																																																																																																																																																																																																																																																																																																																																																																																																																																																																																																																																																																																																																																																																																																																																																																																																																																																																																																																																																																																																																																																																																																																																																																																																																																																																																																																																																																
					GKF127							GKA127							GKAF127							GK127							GKF127							GKA127							GKAF127							GK127							GKF127							GKA127							GKAF127							GK127							GKF127							GKA127							GKAF127							GK127							GKF127							GKA127							GKAF127							GK127							GKF127							GKA127							GKAF127							GK127							GKF127							GKA127							GKAF127							GK127							GKF127							GKA127							GKAF127							GK127							GKF127							GKA127							GKAF127							GK127							GKF127							GKA127							GKAF127							GK127							GKF127							GKA127							GKAF127							GK127							GKF127							GKA127							GKAF127							GK127							GKF127							GKA127							GKAF127							GK127							GKF127																																																																																																																																																																																																																																																																																																																																																																																																																																																																																																																																																																																																																																																																																																																																																																																																																																																																																																																																																																																																																																																																																																																																																																																																																																																																																																																																																																																																																																																																																																																																																																																																																																							
					GKA127							GKAF127							GK127							GKF127							GKA127							GKAF127							GK127							GKF127							GKA127							GKAF127							GK127							GKF127							GKA127							GKAF127							GK127							GKF127							GKA127							GKAF127							GK127							GKF127							GKA127							GKAF127							GK127							GKF127							GKA127							GKAF127							GK127							GKF127							GKA127							GKAF127							GK127							GKF127							GKA127							GKAF127							GK127							GKF127							GKA127							GKAF127							GK127							GKF127							GKA127							GKAF127							GK127							GKF127							GKA127							GKAF127							GK127							GKF127							GKA127							GKAF127							GK127							GKF127																																																																																																																																																																																																																																																																																																																																																																																																																																																																																																																																																																																																																																																																																																																																																																																																																																																																																																																																																																																																																																																																																																																																																																																																																																																																																																																																																																																																																																																																																																																																																																																																																																														
					GKAF127																																																																																																																																																																																																																																																																																																																																																																																																																																																																																																																																																																																																																																																																																																																																																																																																																																																																																																																																																																																																																																																																																																																																																																																																																																																																																																																																																																																																																																																																																																																																																																																																																																																																																																																																																																																																																																																																																																																																																																																																																			
					GK127							GKF127							GKA127							GKAF127							GK127							GKF127							GKA127							GKAF127							GK127							GKF127							GKA127							GKAF127							GK127							GKF127							GKA127							GKAF127							GK127							GKF127							GKA127							GKAF127							GK127							GKF127							GKA127							GKAF127							GK127							GKF127							GKA127							GKAF127							GK127							GKF127							GKA127							GKAF127							GK127							GKF127							GKA127							GKAF127							GK127							GKF127							GKA127							GKAF127							GK127							GKF127							GKA127							GKAF127							GK127							GKF127							GKA127							GKAF127							GK127							GKF127																																																																																																																																																																																																																																																																																																																																																																																																																																																																																																																																																																																																																																																																																																																																																																																																																																																																																																																																																																																																																																																																																																																																																																																																																																																																																																																																																																																																																																																																																																																																																																																																																																																												
					GKF127							GKA127							GKAF127							GK127							GKF127							GKA127							GKAF127							GK127							GKF127							GKA127							GKAF127							GK127							GKF127							GKA127							GKAF127							GK127							GKF127							GKA127							GKAF127							GK127							GKF127							GKA127							GKAF127							GK127							GKF127							GKA127							GKAF127							GK127							GKF127							GKA127							GKAF127							GK127							GKF127							GKA127							GKAF127							GK127							GKF127							GKA127							GKAF127							GK127							GKF127							GKA127							GKAF127							GK127							GKF127							GKA127							GKAF127							GK127							GKF127																																																																																																																																																																																																																																																																																																																																																																																																																																																																																																																																																																																																																																																																																																																																																																																																																																																																																																																																																																																																																																																																																																																																																																																																																																																																																																																																																																																																																																																																																																																																																																																																																																																																			
					GKA127							GKAF127							GK127							GKF127							GKA127							GKAF127							GK127							GKF127							GKA127							GKAF127							GK127							GKF127							GKA127							GKAF127							GK127							GKF127							GKA127							GKAF127							GK127							GKF127							GKA127							GKAF127							GK127							GKF127							GKA127							GKAF127							GK127							GKF127							GKA127							GKAF127							GK127							GKF127							GKA127							GKAF127							GK127							GKF127							GKA127							GKAF127							GK127							GKF127							GKA127							GKAF127							GK127							GKF127							GKA127							GKAF127							GK127							GKF127																																																																																																																																																																																																																																																																																																																																																																																																																																																																																																																																																																																																																																																																																																																																																																																																																																																																																																																																																																																																																																																																																																																																																																																																																																																																																																																																																																																																																																																																																																																																																																																																																																																																										
					GKAF127																																																																																																																																																																																																																																																																																																																																																																																																																																																																																																																																																																																																																																																																																																																																																																																																																																																																																																																																																																																																																																																																																																																																																																																																																																																																																																																																																																																																																																																																																																																																																																																																																																																																																																																																																																																																																																																																																																																																																																																																																			
					GK127							GKF127							GKA127							GKAF127							GK127							GKF127							GKA127							GKAF127							GK127							GKF127							GKA127							GKAF127							GK127							GKF127							GKA127							GKAF127							GK127							GKF127							GKA127							GKAF127							GK127							GKF127							GKA127							GKAF127							GK127							GKF127							GKA127							GKAF127							GK127							GKF127							GKA127							GKAF127							GK127							GKF127							GKA127							GKAF127							GK127							GKF127							GKA127							GKAF127							GK127							GKF127							GKA127							GKAF127							GK127							GKF127																																																																																																																																																																																																																																																																																																																																																																																																																																																																																																																																																																																																																																																																																																																																																																																																																																																																																																																																																																																																																																																																																																																																																																																																																																																																																																																																																																																																																																																																																																																																																																																																																																																																																								
					GKF127							GKA127							GKAF127							GK127							GKF127							GKA127							GKAF127							GK127							GKF127							GKA127							GKAF127							GK127							GKF127							GKA127							GKAF127							GK127							GKF127							GKA127							GKAF127							GK127							GKF127							GKA127							GKAF127							GK127							GKF127							GKA127							GKAF127							GK127							GKF127							GKA127							GKAF127							GK127							GKF127							GKA127							GKAF127							GK127							GKF127							GKA127							GKAF127							GK127							GKF127							GKA127							GKAF127							GK127							GKF127																																																																																																																																																																																																																																																																																																																																																																																																																																																																																																																																																																																																																																																																																																																																																																																																																																																																																																																																																																																																																																																																																																																																																																																																																																																																																																																																																																																																																																																																																																																																																																																																																																																																																															
					GKA127							GKAF127							GK127							GKF127							GKA127							GKAF127							GK127							GKF127							GKA127							GKAF127							GK127							GKF127							GKA127							GKAF127							GK127							GKF127							GKA127							GKAF127							GK127							GKF127							GKA127							GKAF127							GK127							GKF127							GKA127							GKAF127							GK127							GKF127							GKA127							GKAF127							GK127							GKF127							GKA127							GKAF127							GK127							GKF127							GKA127							GKAF127							GK127							GKF127							GKA127							GKAF127							GK127							GKF127																																																																																																																																																																																																																																																																																																																																																																																																																																																																																																																																																																																																																																																																																																																																																																																																																																																																																																																																																																																																																																																																																																																																																																																																																																																																																																																																																																																																																																																																																																																																																																																																																																																																																																						
					GKAF127																																																																																																																																																																																																																																																																																																																																																																																																																																																																																																																																																																																																																																																																																																																																																																																																																																																																																																																																																																																																																																																																																																																																																																																																																																																																																																																																																																																																																																																																																																																																																																																																																																																																																																																																																																																																																																																																																																																																																																																																																			
					GK127							GKF127							GKA127							GKAF127							GK127							GKF127							GKA127							GKAF127							GK127							GKF127							GKA127							GKAF127							GK127							GKF127							GKA127							GKAF127							GK127							GKF127							GKA127							GKAF127							GK127							GKF127							GKA127							GKAF127							GK127							GKF127							GKA127							GKAF127							GK127							GKF127							GKA127							GKAF127							GK127							GKF127							GKA127							GKAF127							GK127							GKF127							GKA127							GKAF127							GK127							GKF127																																																																																																																																																																																																																																																																																																																																																																																																																																																																																																																																																																																																																																																																																																																																																																																																																																																																																																																																																																																																																																																																																																																																																																																																																																																																																																																																																																																																																																																																																																																																																																																																																																																																																																																				
					GKF127							GKA127							GKAF127							GK127							GKF127							GKA127							GKAF127							GK127							GKF127							GKA127							GKAF127							GK127							GKF127							GKA127							GKAF127							GK127							GKF127							GKA127							GKAF127							GK127							GKF127							GKA127							GKAF127							GK127							GKF127							GKA127							GKAF127							GK127							GKF127							GKA127							GKAF127							GK127							GKF127							GKA127							GKAF127							GK127							GKF127							GKA127							GKAF127							GK127							GKF127																																																																																																																																																																																																																																																																																																																																																																																																																																																																																																																																																																																																																																																																																																																																																																																																																																																																																																																																																																																																																																																																																																																																																																																																																																																																																																																																																																																																																																																																																																																																																																																																																																																																																																																											
					GKA127							GKAF127							GK127							GKF127							GKA127							GKAF127							GK127							GKF127							GKA127							GKAF127							GK127							GKF127							GKA127							GKAF127							GK127							GKF127							GKA127							GKAF127							GK127							GKF127							GKA127							GKAF127							GK127							GKF127							GKA127							GKAF127							GK127							GKF127							GKA127							GKAF127							GK127							GKF127							GKA127							GKAF127							GK127							GKF127							GKA127							GKAF127							GK127							GKF127																																																																																																																																																																																																																																																																																																																																																																																																																																																																																																																																																																																																																																																																																																																																																																																																																																																																																																																																																																																																																																																																																																																																																																																																																																																																																																																																																																																																																																																																																																																																																																																																																																																																																																																																		
					GKAF127																																																																																																																																																																																																																																																																																																																																																																																																																																																																																																																																																																																																																																																																																																																																																																																																																																																																																																																																																																																																																																																																																																																																																																																																																																																																																																																																																																																																																																																																																																																																																																																																																																																																																																																																																																																																																																																																																																																																																																																																																			
					GK127							GKF127							GKA127							GKAF127							GK127							GKF127							GKA127							GKAF127							GK127							GKF127							GKA127							GKAF127							GK127							GKF127							GKA127							GKAF127							GK127							GKF127							GKA127							GKAF127							GK127							GKF127							GKA127							GKAF127							GK127							GKF127							GKA127							GKAF127							GK127							GKF127							GKA127							GKAF127							GK127							GKF127							GKA127							GKAF127							GK127							GKF127																																																																																																																																																																																																																																																																																																																																																																																																																																																																																																																																																																																																																																																																																																																																																																																																																																																																																																																																																																																																																																																																																																																																																																																																																																																																																																																																																																																																																																																																																																																																																																																																																																																																																																																																																
					GKF127							GKA127							GKAF127							GK127							GKF127							GKA127							GKAF127							GK127							GKF127							GKA127							GKAF127							GK127							GKF127							GKA127							GKAF127							GK127							GKF127							GKA127							GKAF127							GK127							GKF127							GKA127							GKAF127							GK127							GKF127							GKA127							GKAF127							GK127							GKF127							GKA127							GKAF127							GK127							GKF127							GKA127							GKAF127							GK127							GKF127																																																																																																																																																																																																																																																																																																																																																																																																																																																																																																																																																																																																																																																																																																																																																																																																																																																																																																																																																																																																																																																																																																																																																																																																																																																																																																																																																																																																																																																																																																																																																																																																																																																																																																																																																							
					GKA127							GKAF127							GK127							GKF127							GKA127							GKAF127							GK127							GKF127							GKA127							GKAF127							GK127							GKF127							GKA127							GKAF127							GK127							GKF127							GKA127							GKAF127							GK127							GKF127							GKA127							GKAF127							GK127							GKF127							GKA127							GKAF127							GK127							GKF127							GKA127							GKAF127							GK127							GKF127							GKA127							GKAF127							GK127							GKF127																																																																																																																																																																																																																																																																																																																																																																																																																																																																																																																																																																																																																																																																																																																																																																																																																																																																																																																																																																																																																																																																																																																																																																																																																																																																																																																																																																																																																																																																																																																																																																																																																																																																																																																																																														
					GKAF127																																																																																																																																																																																																																																																																																																																																																																																																																																																																																																																																																																																																																																																																																																																																																																																																																																																																																																																																																																																																																																																																																																																																																																																																																																																																																																																																																																																																																																																																																																																																																																																																																																																																																																																																																																																																																																																																																																																																																																																																																			
					GK127							GKF127							GKA127							GKAF127							GK127							GKF127							GKA127							GKAF127							GK127							GKF127							GKA127							GKAF127							GK127							GKF127							GKA127							GKAF127							GK127							GKF127							GKA127							GKAF127							GK127							GKF127							GKA127							GKAF127							GK127							GKF127							GKA127							GKAF127							GK127							GKF127							GKA127							GKAF127							GK127							GKF127																																																																																																																																																																																																																																																																																																																																																																																																																																																																																																																																																																																																																																																																																																																																																																																																																																																																																																																																																																																																																																																																																																																																																																																																																																																																																																																																																																																																																																																																																																																																																																																																																																																																																																																																																																												
					GKF127							GKA127							GKAF127							GK127							GKF127							GKA127							GKAF127							GK127							GKF127							GKA127							GKAF127							GK127							GKF127							GKA127							GKAF127							GK127							GKF127							GKA127							GKAF127							GK127							GKF127							GKA127							GKAF127							GK127							GKF127							GKA127							GKAF127							GK127							GKF127							GKA127							GKAF127							GK127							GKF127																																																																																																																																																																																																																																																																																																																																																																																																																																																																																																																																																																																																																																																																																																																																																																																																																																																																																																																																																																																																																																																																																																																																																																																																																																																																																																																																																																																																																																																																																																																																																																																																																																																																																																																																																																																			
					GKA127							GKAF127							GK127							GKF127							GKA127							GKAF127							GK127							GKF127							GKA127							GKAF127							GK127							GKF127							GKA127							GKAF127							GK127							GKF127							GKA127							GKAF127							GK127							GKF127							GKA127							GKAF127							GK127							GKF127							GKA127							GKAF127							GK127							GKF127							GKA127							GKAF127							GK127							GKF127																																																																																																																																																																																																																																																																																																																																																																																																																																																																																																																																																																																																																																																																																																																																																																																																																																																																																																																																																																																																																																																																																																																																																																																																																																																																																																																																																																																																																																																																																																																																																																																																																																																																																																																																																																																										
					GKAF127																																																																																																																																																																																																																																																																																																																																																																																																																																																																																																																																																																																																																																																																																																																																																																																																																																																																																																																																																																																																																																																																																																																																																																																																																																																																																																																																																																																																																																																																																																																																																																																																																																																																																																																																																																																																																																																																																																																																																																																																																			
					GK127							GKF127							GKA127							GKAF127							GK127							GKF127							GKA127							GKAF127							GK127							GKF127							GKA127							GKAF127							GK127							GKF127							GKA127							GKAF127							GK127							GKF127							GKA127							GKAF127							GK127							GKF127							GKA127							GKAF127							GK127							GKF127							GKA127							GKAF127							GK127							GKF127																																																																																																																																																																																																																																																																																																																																																																																																																																																																																																																																																																																																																																																																																																																																																																																																																																																																																																																																																																																																																																																																																																																																																																																																																																																																																																																																																																																																																																																																																																																																																																																																																																																																																																																																																																																																								
					GKF127							GKA127							GKAF127							GK127							GKF127							GKA127							GKAF127							GK127							GKF127							GKA127							GKAF127							GK127							GKF127							GKA127							GKAF127							GK127							GKF127							GKA127							GKAF127							GK127							GKF127							GKA127							GKAF127							GK127							GKF127							GKA127							GKAF127							GK127							GKF127																																																																																																																																																																																																																																																																																																																																																																																																																																																																																																																																																																																																																																																																																																																																																																																																																																																																																																																																																																																																																																																																																																																																																																																																																																																																																																																																																																																																																																																																																																																																																																																																																																																																																																																																																																																																															
					GKA127							GKAF127							GK127							GKF127							GKA127							GKAF127							GK127							GKF127							GKA127							GKAF127							GK127							GKF127							GKA127							GKAF127							GK127							GKF127							GKA127							GKAF127							GK127							GKF127							GKA127							GKAF127							GK127							GKF127							GKA127							GKAF127							GK127							GKF127																																																																																																																																																																																																																																																																																																																																																																																																																																																																																																																																																																																																																																																																																																																																																																																																																																																																																																																																																																																																																																																																																																																																																																																																																																																																																																																																																																																																																																																																																																																																																																																																																																																																																																																																																																																																																						
					GKAF127																																																																																																																																																																																																																																																																																																																																																																																																																																																																																																																																																																																																																																																																																																																																																																																																																																																																																																																																																																																																																																																																																																																																																																																																																																																																																																																																																																																																																																																																																																																																																																																																																																																																																																																																																																																																																																																																																																																																																																																																																			
					GK127							GKF127							GKA127							GKAF127							GK127							GKF127							GKA127							GKAF127							GK127							GKF127							GKA127							GKAF127							GK127							GKF127							GKA127							GKAF127							GK127							GKF127							GKA127							GKAF127							GK127							GKF127							GKA127							GKAF127							GK127							GKF127																																																																																																																																																																																																																																																																																																																																																																																																																																																																																																																																																																																																																																																																																																																																																																																																																																																																																																																																																																																																																																																																																																																																																																																																																																																																																																																																																																																																																																																																																																																																																																																																																																																																																																																																																																																																																																				
					GKF127							GKA127							GKAF127							GK127							GKF127							GKA127							GKAF127							GK127							GKF127							GKA127							GKAF127							GK127							GKF127							GKA127							GKAF127							GK127							GKF127							GKA127							GKAF127							GK127							GKF127							GKA127							GKAF127							GK127							GKF127																																																																																																																																																																																																																																																																																																																																																																																																																																																																																																																																																																																																																																																																																																																																																																																																																																																																																																																																																																																																																																																																																																																																																																																																																																																																																																																																																																																																																																																																																																																																																																																																																																																																																																																																																																																																																																											
					GKA127							GKAF127							GK127							GKF127							GKA127							GKAF127							GK127							GKF127							GKA127							GKAF127							GK127							GKF127							GKA127							GKAF127							GK127							GKF127							GKA127							GKAF127							GK127							GKF127							GKA127							GKAF127							GK127							GKF127																																																																																																																																																																																																																																																																																																																																																																																																																																																																																																																																																																																																																																																																																																																																																																																																																																																																																																																																																																																																																																																																																																																																																																																																																																																																																																																																																																																																																																																																																																																																																																																																																																																																																																																																																																																																																																																		
					GKAF127																																																																																																																																																																																																																																																																																																																																																																																																																																																																																																																																																																																																																																																																																																																																																																																																																																																																																																																																																																																																																																																																																																																																																																																																																																																																																																																																																																																																																																																																																																																																																																																																																																																																																																																																																																																																																																																																																																																																																																																																																			
					GK127							GKF127							GKA127							GKAF127							GK127							GKF127							GKA127							GKAF127							GK127							GKF127							GKA127							GKAF127							GK127							GKF127							GKA127							GKAF127							GK127							GKF127							GKA127							GKAF127							GK127							GKF127																																																																																																																																																																																																																																																																																																																																																																																																																																																																																																																																																																																																																																																																																																																																																																																																																																																																																																																																																																																																																																																																																																																																																																																																																																																																																																																																																																																																																																																																																																																																																																																																																																																																																																																																																																																																																																																																
					GKF127							GKA127							GKAF127							GK127							GKF127							GKA127							GKAF127							GK127							GKF127							GKA127							GKAF127							GK127							GKF127							GKA127							GKAF127							GK127							GKF127							GKA127							GKAF127							GK127							GKF127																																																																																																																																																																																																																																																																																																																																																																																																																																																																																																																																																																																																																																																																																																																																																																																																																																																																																																																																																																																																																																																																																																																																																																																																																																																																																																																																																																																																																																																																																																																																																																																																																																																																																																																																																																																																																																																																							
					GKA127							GKAF127							GK127							GKF127							GKA127							GKAF127							GK127							GKF127							GKA127							GKAF127							GK127							GKF127							GKA127							GKAF127							GK127							GKF127							GKA127							GKAF127							GK127							GKF127																																																																																																																																																																																																																																																																																																																																																																																																																																																																																																																																																																																																																																																																																																																																																																																																																																																																																																																																																																																																																																																																																																																																																																																																																																																																																																																																																																																																																																																																																																																																																																																																																																																																																																																																																																																																																																																																														
					GKAF127																																																																																																																																																																																																																																																																																																																																																																																																																																																																																																																																																																																																																																																																																																																																																																																																																																																																																																																																																																																																																																																																																																																																																																																																																																																																																																																																																																																																																																																																																																																																																																																																																																																																																																																																																																																																																																																																																																																																																																																																																			
					GK127							GKF127							GKA127							GKAF127							GK127							GKF127							GKA127							GKAF127							GK127							GKF127							GKA127							GKAF127							GK127							GKF127							GKA127							GKAF127							GK127							GKF127																																																																																																																																																																																																																																																																																																																																																																																																																																																																																																																																																																																																																																																																																																																																																																																																																																																																																																																																																																																																																																																																																																																																																																																																																																																																																																																																																																																																																																																																																																																																																																																																																																																																																																																																																																																																																																																																																												
					GKF127							GKA127							GKAF127							GK127							GKF127							GKA127							GKAF127							GK127							GKF127							GKA127							GKAF127							GK127							GKF127							GKA127							GKAF127							GK127							GKF127																																																																																																																																																																																																																																																																																																																																																																																																																																																																																																																																																																																																																																																																																																																																																																																																																																																																																																																																																																																																																																																																																																																																																																																																																																																																																																																																																																																																																																																																																																																																																																																																																																																																																																																																																																																																																																																																																																			
					GKA127							GKAF127							GK127							GKF127							GKA127							GKAF127							GK127							GKF127							GKA127							GKAF127							GK127							GKF127							GKA127							GKAF127							GK127							GKF127																																																																																																																																																																																																																																																																																																																																																																																																																																																																																																																																																																																																																																																																																																																																																																																																																																																																																																																																																																																																																																																																																																																																																																																																																																																																																																																																																																																																																																																																																																																																																																																																																																																																																																																																																																																																																																																																																																										
					GKAF127																																																																																																																																																																																																																																																																																																																																																																																																																																																																																																																																																																																																																																																																																																																																																																																																																																																																																																																																																																																																																																																																																																																																																																																																																																																																																																																																																																																																																																																																																																																																																																																																																																																																																																																																																																																																																																																																																																																																																																																																																			
					GK127							GKF127							GKA127							GKAF127							GK127							GKF127							GKA127							GKAF127							GK127							GKF127							GKA127							GKAF127							GK127							GKF127																																																																																																																																																																																																																																																																																																																																																																																																																																																																																																																																																																																																																																																																																																																																																																																																																																																																																																																																																																																																																																																																																																																																																																																																																																																																																																																																																																																																																																																																																																																																																																																																																																																																																																																																																																																																																																																																																																																								
					GKF127							GKA127							GKAF127							GK127							GKF127							GKA127							GKAF127							GK127							GKF127							GKA127							GKAF127							GK127							GKF127																																																																																																																																																																																																																																																																																																																																																																																																																																																																																																																																																																																																																																																																																																																																																																																																																																																																																																																																																																																																																																																																																																																																																																																																																																																																																																																																																																																																																																																																																																																																																																																																																																																																																																																																																																																																																																																																																																																															
					GKA127							GKAF127							GK127							GKF127							GKA127							GKAF127							GK127							GKF127							GKA127							GKAF127							GK127							GKF127																																																																																																																																																																																																																																																																																																																																																																																																																																																																																																																																																																																																																																																																																																																																																																																																																																																																																																																																																																																																																																																																																																																																																																																																																																																																																																																																																																																																																																																																																																																																																																																																																																																																																																																																																																																																																																																																																																																																						
					GKAF127																																																																																																																																																																																																																																																																																																																																																																																																																																																																																																																																																																																																																																																																																																																																																																																																																																																																																																																																																																																																																																																																																																																																																																																																																																																																																																																																																																																																																																																																																																																																																																																																																																																																																																																																																																																																																																																																																																																																																																																																																			
					GK127							GKF127							GKA127							GKAF127							GK127							GKF127							GKA127							GKAF127							GK127							GKF127																																																																																																																																																																																																																																																																																																																																																																																																																																																																																																																																																																																																																																																																																																																																																																																																																																																																																																																																																																																																																																																																																																																																																																																																																																																																																																																																																																																																																																																																																																																																																																																																																																																																																																																																																																																																																																																																																																																																																				
					GKF127							GKA127							GKAF127							GK127							GKF127							GKA127							GKAF127							GK127							GKF127																																																																																																																																																																																																																																																																																																																																																																																																																																																																																																																																																																																																																																																																																																																																																																																																																																																																																																																																																																																																																																																																																																																																																																																																																																																																																																																																																																																																																																																																																																																																																																																																																																																																																																																																																																																																																																																																																																																																																											
					GKA127							GKAF127							GK127							GKF127							GKA127							GKAF127							GK127							GKF127																																																																																																																																																																																																																																																																																																																																																																																																																																																																																																																																																																																																																																																																																																																																																																																																																																																																																																																																																																																																																																																																																																																																																																																																																																																																																																																																																																																																																																																																																																																																																																																																																																																																																																																																																																																																																																																																																																																																																																		
					GKAF127																																																																																																																																																																																																																																																																																																																																																																																																																																																																																																																																																																																																																																																																																																																																																																																																																																																																																																																																																																																																																																																																																																																																																																																																																																																																																																																																																																																																																																																																																																																																																																																																																																																																																																																																																																																																																																																																																																																																																																																																																			
					GK127							GKF127							GKA127							GKAF127							GK127							GKF127																																																																																																																																																																																																																																																																																																																																																																																																																																																																																																																																																																																																																																																																																																																																																																																																																																																																																																																																																																																																																																																																																																																																																																																																																																																																																																																																																																																																																																																																																																																																																																																																																																																																																																																																																																																																																																																																																																																																																																																
					GKF127							GKA127							GKAF127							GK127							GKF127																																																																																																																																																																																																																																																																																																																																																																																																																																																																																																																																																																																																																																																																																																																																																																																																																																																																																																																																																																																																																																																																																																																																																																																																																																																																																																																																																																																																																																																																																																																																																																																																																																																																																																																																																																																																																																																																																																																																																																																							
					GKA127							GKAF127							GK127							GKF127																																																																																																																																																																																																																																																																																																																																																																																																																																																																																																																																																																																																																																																																																																																																																																																																																																																																																																																																																																																																																																																																																																																																																																																																																																																																																																																																																																																																																																																																																																																																																																																																																																																																																																																																																																																																																																																																																																																																																																																														
					GKAF127																																																																																																																																																																																																																																																																																																																																																																																																																																																																																																																																																																																																																																																																																																																																																																																																																																																																																																																																																																																																																																																																																																																																																																																																																																																																																																																																																																																																																																																																																																																																																																																																																																																																																																																																																																																																																																																																																																																																																																																																																			
					GK127							GKF127																																																																																																																																																																																																																																																																																																																																																																																																																																																																																																																																																																																																																																																																																																																																																																																																																																																																																																																																																																																																																																																																																																																																																																																																																																																																																																																																																																																																																																																																																																																																																																																																																																																																																																																																																																																																																																																																																																																																																																																																												
					GKF127																																																																																																																																																																																																																																																																																																																																																																																																																																																																																																																																																																																																																																																																																																																																																																																																																																																																																																																																																																																																																																																																																																																																																																																																																																																																																																																																																																																																																																																																																																																																																																																																																																																																																																																																																																																																																																																																																																																																																																																																																			

选型参数表
(恒功率)
Selection Table
(Constant Power)

n_a [r/min]	Ma [Nm]	i	F_{ra} [kN]	f_B	机型号 Type size	极数 Pole	n_a [r/min]	Ma [Nm]	i	F_{ra} [kN]	f_B	机型号 Type size	极数 Pole
4.0kW							5.5kW						
48	761	30.21	10	1.00	GK67	4P	6.5	7308	222	62	1.10		
53	687	27.27	10	1.10	GKF67		7.3	6452	196	62	1.25	GK107R77	4P
60	605	23.99	11	1.25	GKA67		8.3	5728	174	62	1.40	GKF107R77	
64	571	22.66	11	1.30	GKAF67		9.4	5070	154	62	1.60	GKA107R77	
75	486	19.29	12	1.45		10	4609	140	62	1.75	GKAF107R77		
82	442	17.53	12	1.55			4.7	10565	152.45	109	1.60	GK157	8P
95	383	15.19	12	1.70	GK67	5.8	8542	123.25	110	2.00	GKF157		
109	333	13.22	12	1.90	GKF67	7.2	6921	99.87	110	2.40	GKA157		
115	315	12.48	12	1.60	GKA67	7.8	6399	92.33	110	2.70	GKAF157		
135	268	10.63	12	1.75	GKAF67		5.3	9362	135.09	77	1.30	GK127	8P
149	243	9.66	12	1.85		5.9	8469	122.20	77	1.45	GKF127		
172	211	8.37	12	1.95		6.6	7600	109.66	77	1.60	GKA127		
198	183	7.28	11	2.10		8.1	6175	89.10	78	1.95	GKAF127		
60	606	24.05	5.8	0.95			7.1	7022	135.09	78	1.75	GK127	6P
63	572	22.71	5.9	1.00		7.9	6352	122.20	78	1.95	GKF127		
74	487	19.34	5.9	1.10		8.8	5700	109.66	78	2.20	GKA127		
82	443	17.57	5.9	1.15		11	4631	89.10	78	2.60	GKAF127		
95	384	15.22	5.9	1.30	GK57		8.5	5843	112.41	62	1.30	GK107	6P
109	334	13.25	5.8	1.45	GKF57	9.5	5237	100.75	62	1.45	GKF107		
121	300	11.92	5.5	1.30	GKA57	11	4728	90.96	62	1.60	GKA107		
128	284	11.26	5.5	1.35	GKAF57	12	4294	82.61	62	1.75	GKAF107		
150	242	9.59	5.4	1.55			10	4972	143.47	62	1.80		4P
165	220	8.71	5.4	1.65		12	4209	121.46	62	1.80			
191	190	7.55	5.3	1.80		13	3895	112.41	62	1.95	GK107		
219	166	6.57	5.1	1.95		14	3491	100.75	62	2.20	GKF107		
5.5kW							5.5kW						
0.9	53593	1628	153	0.80			16	3152	90.96	62	2.40	GKA107	4P
1.1	43651	1326	165	0.95		17	2863	82.61	62	2.60	GKAF107		
1.2	41050	1247	171	1.05		20	2540	73.30	62	2.90			
1.4	34137	1037	171	1.25	GK187R97	22	2305	66.52	62	3.20			
1.5	30780	935	171	1.45	GKA187R97		25	1981	57.17	62	3.70		
1.7	27850	846	171	1.60			12	4294	123.93	38	0.95	GK97	4P
2.4	20081	610	171	2.00		14	3643	105.13	38	1.10	GKF97		
2.6	18369	558	171	2.40		15	3354	96.80	38	1.20	GKA97		
1.3	36014	1094	135	0.85		17	2998	86.52	38	1.35	GKAF97		
1.6	30582	929	135	1.00			18	2699	77.89	38	1.50		4P
1.7	27586	838	135	1.15		20	2444	70.54	38	1.65			
1.9	24492	744	135	1.25	GK167R97	23	2167	62.55	38	1.85	GK97		
2.3	20673	628	135	1.50	GKA167R97	25	1960	56.55	38	2.10	GKF97		
2.6	18139	551	135	1.70		30	1661	47.93	37	2.40	GKA97	4P	
3.0	15571	473	135	2.00		34	1451	41.87	37	2.70	GKAF97		
3.4	13826	420	135	2.30		38	1327	38.29	37	3.00			
2.2	21891	665	104	0.80		42	1186	34.22	37	3.30			
2.5	18764	570	106	0.95	GK157R97		17	2992	86.34	25	0.85		4P
2.8	16789	510	107	1.05	GKF157R97	18	2749	79.34	26	0.95	GK87		
3.3	14386	437	108	1.25	GKA157R97	20	2442	70.46	26	1.05	GKF87		
3.8	12542	381	109	1.45	GKAF157R97	23	2183	63.00	26	1.15	GKA87		
4.2	11193	340	109	1.60		25	1963	56.64	26	1.30	GKAF87		
3.4	13925	423	74	0.95			29	1703	49.16	26	1.50		4P
3.9	12147	369	76	1.05		33	1525	44.02	25	1.60			
4.3	10962	333	76	1.20	GK127R87	39	1265	36.52	25	1.85	GK87		
5.0	9514	289	77	1.35	GKF127R87	46	1087	31.38	24	2.30	GKF87		
5.7	8362	254	77	1.55	GKA127R87	52	966	27.87	23	2.50	GKA87	4P	
6.7	7045	214	78	1.85	GKAF127R87	58	864	24.92	23	2.80	GKAF87		
7.1	6650	202	78	1.95		64	776	22.40	23	3.00			
8.6	5530	168	78	2.35		74	674	19.44	23	3.30			
9.8	4839	147	78	2.70									

选型参数表
(恒功率)

Selection Table
(Constant Power)

n_a [r/min]	Ma [Nm]	i	F_{ra} [kN]	f_B	机型号 Type size	极数 Pole	n_a [r/min]	Ma [Nm]	i	F_{ra} [kN]	f_B	机型号 Type size	极数 Pole
5.5kW							7.5kW						
32	1568	45.24	14	0.95			4.3	14948	333	72	0.90		
36	1390	40.10	15	1.05	GK77		5.0	12973	289	75	1.00		
47	1072	30.93	17	1.35	GKF77	4P	5.7	11402	254	76	1.15	GK127R87	
49	1016	29.31	17	1.45	GKA77		6.7	9606	214	77	1.35	GKF127R87	4P
56	889	25.66	18	1.65	GKAF77		7.1	9068	202	77	1.45	GKA127R87	
62	801	23.11	18	1.85			8.6	7542	168	78	1.75	GKAF127R87	
71	703	20.28	18	2.00			9.8	6599	147	78	2.00		
80	620	17.89	18	2.20			4.5	15109	159.88	135	1.95	GK167	
91	550	15.86	18	2.40	GK77		5.0	13699	144.96	135	2.20	GKA167	8P
106	469	13.54	18	2.70	GKF77	4P	5.6	12252	129.64	135	2.40		
117	428	12.36	17	2.20	GKA77		6.1	11215	159.88	135	2.60	GK167	
133	376	10.84	17	2.50	GKAF77		6.7	10169	144.96	135	2.95	GKA167	6P
150	332	9.57	17	2.80			7.5	9094	129.64	135	3.20		
170	294	8.48	17	3.00			6.4	10694	152.45	109	1.60		
199	251	7.24	17	3.30			7.9	8646	123.25	110	1.95	GK157	
60	831	23.99	9.2	0.90			9.7	7006	99.87	110	2.40	GKF157	6P
64	785	22.66	10	0.95	GK67		11	6477	92.33	110	2.60	GKA157	
75	668	19.29	11	1.05	GKF67	4P	12	5664	80.75	110	3.00	GKAF157	
82	607	17.53	11	1.15	GKA67		7	9476	135.09	77	1.30	GK127	
95	526	15.19	11	1.25	GKAF67		8	8572	122.20	77	1.40	GKF127	6P
109	458	13.22	12	1.40			9	7692	109.66	77	1.60	GKA127	
115	432	12.48	12	1.15			11	6250	89.10	78	1.95	GKAF127	
135	368	10.63	12	1.30	GK67	4P	9.7	7043	149.04	78	1.80		
149	335	9.66	12	1.35	GKF67		11	6383	135.09	78	1.90	GK127	
172	290	8.37	11	1.45	GKA67		12	5774	122.20	78	2.10	GKF127	
198	252	7.28	11	1.55	GKAF67		13	5182	109.66	78	2.40	GKA127	4P
82	609	17.57	4.8	0.85			16	4210	89.10	78	2.90	GKAF127	
95	527	15.22	4.9	0.95			18	3838	81.23	78	3.20		
109	459	13.25	5.0	1.05	GK57		20	3346	70.82	78	3.70		
121	413	11.92	4.7	0.95	GKF57							GK107	
128	390	11.26	4.7	1.00	GKA57	4P	10	6779	143.47	62	1.10	GKF107	4P
150	332	9.59	4.7	1.15	GKAF57		12	5739	121.46	62	1.30	GKA107	
165	302	8.71	4.7	1.20			13	5312	112.41	62	1.40	GKAF107	
191	262	7.55	4.7	1.30			14	4761	100.75	62	1.60		
219	228	6.57	4.7	1.45			16	4298	90.96	61	1.75		
7.5kW							17	3904	82.61	60	1.95	GK107	
1.7	37483	835	171	1.30	GK187R107		20	3464	73.30	59	2.20	GKF107	4P
2.0	32680	728	171	1.50	GKA187R107	4P	22	3143	66.52	58	2.40	GKA107	
2.4	26575	592	171	1.75			25	2701	57.17	56	2.80	GKAF107	
1.3	48167	1073	163	0.90			29	2358	49.90	55	3.10		
1.5	41972	935	171	1.05			34	2000	42.33	53	3.50		
1.7	37977	846	171	1.15	GK187R97	4P	39	1748	37.00	51	3.90		
2.4	27383	610	171	1.45	GKA187R97		15	4574	96.80	36	0.90		
2.6	25049	558	171	1.75			17	4088	86.52	36	1.00	GK97	
3.0	21233	473	171	2.10			18	3681	77.89	36	1.10	GKF97	4P
1.7	37618	838	135	0.85			20	3333	70.54	36	1.20	GKA97	
1.9	33398	744	135	0.90			23	2956	62.55	36	1.35	GKAF97	
2.3	28191	628	135	1.10	GK167R97	4P	25	2672	56.55	35	1.50		
2.6	24734	551	135	1.25	GKA167R97		30	2265	47.93	35	1.80		
3.0	21233	473	135	1.45			34	1978	41.87	34	2.00	GK97	
3.4	18854	420	135	1.65			38	1809	38.29	33	2.20	GKF97	4P
4.0	16250	362	135	1.90			42	1617	34.22	33	2.50	GKA97	
3.3	19617	437	106	0.95	GK157R97		47	1456	30.81	17	2.75	GKAF97	
3.8	17103	381	107	1.05	GKF157R97	4P	52	1318	27.90	17	3.00		
4.2	15263	340	108	1.20	GKA157R97		58	1169	24.74	17	3.30		
4.9	13153	293	108	1.40	GKAF157R97								

选型参数表
(恒功率)

Selection Table
(Constant Power)

n_a [r/min]	Ma [Nm]	i	F_{ra} [kN]	f_B	机型号 Type size	极数 PoLe	n_a [r/min]	Ma [Nm]	i	F_{ra} [kN]	f_B	机型号 Type size	极数 Pole
7.5kW							11.0kW						
23	2977	63.00	23	0.85			6.1	16449	159.88	135	1.80	GK167	
25	2676	56.64	23	0.95	GK87		6.7	14914	144.96	135	2.05	GKA167	6P
29	2323	49.16	23	1.10	GKF87	4P	7.5	13338	129.64	135	2.20		
33	2080	44.02	23	1.20	GKA87		9.1	10929	159.88	135	2.70	GK167	
39	1726	36.52	23	1.35	GKAF87		10	9909	144.96	135	3.05	GKA167	4P
46	1483	31.38	22	1.70			11	8861	129.64	135	3.30		
52	1317	27.87	22	1.85			5.9	16849	123.25	107	1.00	GK157	
58	1178	24.92	22	2.00	GK87	4P	7.3	13653	99.87	108	1.25	GKF157	8P
64	1058	22.40	21	2.00	GKF87		7.9	12622	92.33	108	1.35	GKA157	
74	919	19.44	21	2.40	GKA87		9.0	11039	80.75	109	1.55	GKAF157	
83	823	17.41	20	2.50	GKAF87		6.4	15685	152.45	107	1.10		
90	756	16.00	20	2.20			7.9	12680	123.25	108	1.35	GK157	
100	683	14.45	20	2.90			9.7	10275	99.87	109	1.65	GKF157	6P
115	593	12.56	20	3.30			10.5	9499	92.33	110	1.80	GKA157	
47	1462	30.93	15	1.00			12.0	8308	80.75	110	2.10	GKAF157	
49	1385	29.31	15	1.05	GK77	4P	9.6	10421	152.45	109	1.65	GK157	
56	1213	25.66	16	1.20	GKF77		12	8425	123.25	110	2.00	GKF157	4P
62	1092	23.11	17	1.35	GKA77		15	6827	99.87	110	2.50	GKA157	
71	958	20.28	17	1.50	GKAF77		16	6311	92.33	110	2.70	GKAF157	
80	845	17.89	18	1.60			11	9234	135.09	77	1.30		
91	749	15.86	17	1.75			12	8353	122.20	77	1.45		
106	640	13.54	17	2.00	GK77	4P	13	7496	109.66	77	1.60	GK127	4P
117	584	12.36	16	1.60	GKF77		16	6090	89.10	78	2.00	GKF127	
133	512	10.84	16	1.80	GKA77		18	5552	81.23	78	2.20	GKA127	
150	452	9.57	15	1.95	GKAF77		21	4841	70.82	78	2.50	GKAF127	
170	401	8.48	15	2.10			23	4259	62.31	78	2.80		
199	342	7.24	15	2.30			28	3620	52.96	78	3.20		
11.0kW							13	7684	112.41	55	1.00	GK107	
1.7	54222	835	162	0.90			14	6887	100.75	55	1.10	GKF107	4P
2.0	47274	728	171	1.05			16	6218	90.96	55	1.20	GKA107	
2.5	38443	592	171	1.20	GK187R107	4P	18	5647	82.61	55	1.35	GKAF107	
3.2	29222	450	171	1.45	GKA187R107		20	5010	73.30	54	1.50		
3.7	25520	393	171	1.65			22	4547	66.52	53	1.65		
4.1	23053	355	171	2.10			26	3908	57.17	52	1.90	GK107	4P
2.4	39611	610	171	1.00	GK187R97	4P	29	3411	49.90	51	2.20	GKF107	
2.6	36235	558	171	1.20	GKA187R97		34	2893	42.33	50	2.40	GKA107	
3.1	30715	473	171	1.40			39	2529	37.00	49	2.70	GKAF107	
4.9	19481	300	135	1.50			45	2234	32.68	49	3.00		
5.6	17013	262	135	1.70	GK167R107	4P	47	2138	31.28	48	3.00		
6.1	15650	241	135	1.95	GKA167R107		50	1982	28.99	48	3.20		
6.9	13702	211	135	2.30			21	4822	70.54	31	0.85	GK97	
7.5	12598	194	135	2.30			23	4276	62.55	31	0.95	GKF97	4P
2.6	35780	551	135	0.85			26	3865	56.55	31	1.05	GKA97	
3.1	30715	473	135	1.00	GK167R97	4P	30	3276	47.93	31	1.25	GKAF97	
3.5	27273	420	135	1.15	GKA167R97		35	2862	41.87	31	1.40		
4.0	23507	362	135	1.30			38	2617	38.29	30	1.55		
					GK157R97		43	2339	34.22	30	1.70		
4.3	22078	340	104	0.80	GKF157R97	4P	47	2106	30.81	30	1.90	GK97	
5.0	19026	293	106	0.95	GKA157R97		52	1907	27.90	29	2.10	GKF97	4P
					GKAF157R97		59	1691	24.74	29	2.40	GKA97	
6.8	13896	214	74	0.95	GK127R87		65	1529	22.37	28	2.60	GKAF97	
7.2	13117	202	75	1.00	GKF127R87	4P	77	1296	18.96	28	3.00		
8.7	10909	168	76	1.20	GKA127R87		88	1132	16.56	28	3.30		
9.9	9546	147	77	1.35	GKAF127R87		105	947	13.85	28	3.80		
5.6	17723	129.64	135	1.60	GK167	8P	33	3009	44.02	19	0.80		
6.3	15951	116.68	135	1.85	GKA167		40	2496	36.52	19	0.95	GK87	4P
6.7	14859	108.69	135	2.00			47	2145	31.38	20	1.20	GKF87	
							52	1905	27.87	20	1.30	GKA87	
							59	1703	24.92	19	1.40	GKAF87	

选型参数表
 (恒功率)

Selection Table
 (Constant Power)

n_a [r/min]	Ma [Nm]	i	F_{ra} [kN]	f_B	机型号 Type size	极数 Pole	n_a [r/min]	Ma [Nm]	i	F_{ra} [kN]	f_B	机型号 Type size	极数 Pole
11.0kW							15.0kW						
65	1531	22.40	19	1.40			11	12592	135.09	75	0.95	GK127	
75	1329	19.44	19	1.60			12	11390	122.20	76	1.10	GKF127	4P
84	1190	17.41	19	1.75			13	10221	109.66	76	1.20	GKA127	
91	1094	16.00	18	1.55	GK87							GKAF127	
101	988	14.45	18	2.00	GKF87	4P	16	8305	89.10	77	1.45		
116	859	12.56	18	2.20	GKA87		18	7571	81.23	77	1.60	GK127	
131	763	11.16	17	1.85	GKAF87		21	6601	70.82	78	1.85	GKF127	4P
146	684	10.00	17	2.10			23	5808	62.31	76	2.10	GKA127	
176	567	8.29	16	2.30			28	4936	52.96	74	2.50	GKAF127	
202	493	7.21	16	2.50			31	4348	46.65	72	2.80		
63	1580	23.11	14	0.90			36	3768	40.42	72	3.20		
72	1386	20.28	15	1.00			16	8478	90.96	48	0.90	GK107	
82	1223	17.89	16	1.10			18	7700	82.61	49	1.00	GKF107	4P
92	1084	15.86	16	1.20	GK77		20	6832	73.30	49	1.10	GKA107	
108	926	13.54	15	1.35	GKF77	4P	22	6200	66.52	48	1.25	GKAF107	
118	845	12.36	15	1.10	GKA77		26	5329	57.17	48	1.45		
135	741	10.84	15	1.25	GKAF77		29	4651	49.90	48	1.60		
153	654	9.57	14	1.35			34	3946	42.33	47	1.75	GK107	
172	580	8.48	14	1.45			39	3449	37.00	46	2.00	GKF107	
202	495	7.24	14	1.55			45	3046	32.68	45	2.20	GKA107	4P
15.0kW							47	2915	31.28	44	2.20		
2.5	52422	592	161	0.90			50	2702	28.99	44	2.50	GKAF107	
3.2	39848	450	171	1.05	GK187R107	4P	55	2452	26.31	44	2.70		
3.7	34800	393	171	1.20	GKA187R107		65	2107	22.61	44	3.20		
4.1	31435	355	171	1.55			30	4468	47.93	27	0.90		
6.5	20012	226	171	2.10			35	3903	41.87	27	1.05	GK97	
4.9	26565	300	135	1.10			38	3569	38.29	27	1.15	GKF97	4P
5.6	23200	262	135	1.30			43	3190	34.22	27	1.30	GKA97	
6.1	21341	241	135	1.45	GK167R107	4P	47	2872	30.81	27	1.40	GKAF97	
6.9	18684	211	135	1.65	GKA167R107		52	2601	27.90	27	1.55		
7.5	17179	194	135	1.75			59	2306	24.74	27	1.75		
8.2	15762	178	135	1.95			65	2085	22.37	26	1.95	GK97	
9.7	13371	151	135	2.20			77	1767	18.96	26	2.30	GKF97	
6.2	20809	235	105	0.85			88	1544	16.56	25	2.70	GKA97	4P
6.8	19127	216	106	0.95	GK157R107		105	1291	13.85	25	3.00	GKAF97	
7.7	16825	190	107	1.05	GKF157R107	4P	122	1118	11.99	25	3.30		
9.2	14079	159	108	1.30	GKA157R107		140	970	10.41	25	3.80		
12	10980	124	109	1.65	GKAF157R107		168	812	8.71	25	4.50		
14	9563	108	110	1.90			47	2925	31.38	16	0.90		
5.5	24804	176.80	171	1.90	GK187	6P	52	2598	27.87	17	0.95	GK87	
6.0	22532	160.60	171	2.10	GKA187		59	2323	24.92	17	1.00	GKF87	4P
7.5	18188	129.64	135	1.60	GK167		65	2088	22.40	17	1.05	GKA87	
8.3	16370	116.68	135	1.85	GKA167	6P	75	1812	19.44	17	1.20	GKAF87	
8.9	15249	108.69	135	1.95			84	1623	17.41	17	1.30		
9.1	14903	159.88	135	2.00	GK167		91	1491	16.00	16	1.15		
10	13512	144.96	135	2.25	GKA167	4P	101	1347	14.45	17	1.50	GK87	
11	12084	129.64	135	2.40			116	1171	12.56	17	1.60	GKF87	
7.9	17292	123.25	107	1.00	GK157		131	1040	11.16	16	1.35	GKA87	4P
9.7	14011	99.87	108	1.20	GKF157		146	932	10.00	16	1.55	GKAF87	
11	12954	92.33	108	1.35	GKA157	6P	176	773	8.29	15	1.70		
12	11329	80.75	109	1.55	GKAF157		202	672	7.21	15	1.85		
14	9540	68.00	109	1.75			18.5kW						
9.6	14210	152.45	108	1.20			3.3	48811	450	159	0.85		
12	11488	123.25	109	1.50	GK157		3.7	42628	393	171	1.00	GK187R107	4P
15	9309	99.87	108	1.85	GKF157		4.1	38506	355	171	1.25	GKA187R107	
16	8606	92.33	107	2.00	GKA157	4P	6.5	24514	226	171	1.70		
18	7527	80.75	104	2.30	GKAF157		7.7	20718	191	171	2.00		
21	6338	68.00	104	2.70									
24	5719	61.36	104	3.00									

选型参数表
(恒功率)
Selection Table
(Constant Power)

n_a [r/min]	Ma [Nm]	i	F_{ra} [kN]	f_B	机型号 Type size	极数 PoLe	n_a [r/min]	Ma [Nm]	i	F_{ra} [kN]	f_B	机型号 Type size	极数 PoLe
18.5kW							18.5kW						
4.9	32541	300	135	0.90			35	4833	42.33	44	1.45		
5.6	28419	262	135	1.05			40	4225	37.00	43	1.60		
6.1	26141	241	135	1.20			45	3731	32.68	43	1.85	GK107	
7.0	22887	211	135	1.35	GK167R107		47	3548	31.28	43	1.80		
7.6	21043	194	135	1.40	GKA167R107	4P	51	3310	28.99	42	2.10	GKF107	4P
8.3	19307	178	135	1.60			56	3004	26.31	42	2.30	GKA107	
9.7	16379	151	135	1.80			65	2582	22.61	41	2.60	GKAF107	
11	13884	128	135	2.10			74	2254	19.74	40	3.00		
13	12149	112	135	2.40			88	1911	16.74	38	3.50		
7.7	20609	190	105	0.90	GK157R107		35	4781	41.87	24	0.85	GK97	
9.2	17247	159	107	1.05	GKF157R107	4P	48	3518	30.81	25	1.15	GKF97	4P
12	13450	124	108	1.35	GKA157R107		53	3186	27.90	25	1.30	GKA97	
14	11715	108	107	1.55	GKAF157R107		59	2825	24.74	25	1.45	GKAF97	
5.5	30592	176.80	171	1.55			66	2554	22.37	25	1.60		
6.0	27789	160.60	171	1.65	GK187	6P	78	2165	18.96	24	1.90	GK97	
6.7	24868	143.72	171	1.90	GKA187		89	1891	16.56	24	2.20	GKF97	
7.3	23013	133.00	171	2.10			106	1581	13.85	24	2.60	GKA97	4P
8.3	20187	176.80	171	2.30			123	1369	11.99	23	2.70	GKAF97	
9.2	18337	160.60	171	2.50	GK187	4P	141	1189	10.41	23	3.00		
10	16410	143.72	171	2.90	GKA187		169	994	8.71	23	3.50		
11	15186	133.00	171	3.20			59	2845	24.92	15	0.85		
10	16551	144.96	135	1.70			66	2558	22.40	15	0.85		
11	14802	129.64	135	1.95			76	2220	19.44	15	1.00		
13	13322	116.68	135	2.25	GK167	4P	84	1988	17.41	16	1.05	GK87	
14	12410	108.69	135	2.40	GKA167		102	1650	14.45	16	1.20	GKF87	4P
15	11034	96.64	135	2.70			117	1434	12.56	16	1.30	GKA87	
17	9786	85.71	135	3.00			132	1274	11.16	15	1.10	GKAF87	
9.7	15976	99.87	106	1.00	GK157		147	1142	10.00	15	1.25		
11	13972	92.33	107	1.10	GKF157	6P	177	947	8.29	14	1.40		
12	11766	80.75	106	1.25	GKA157		204	823	7.21	14	1.50		
14	21326	68.00	104	1.40	GKAF157		22kW						
12	14072	123.25	106	1.20			3.7	50693	393	155	0.85		
15	11403	99.87	104	1.50			4.1	45791	355	171	1.05		
16	10542	92.33	102	1.65			6.5	29152	226	171	1.45	GK187R107	4P
18	9220	80.75	100	1.85	GK157		7.7	24637	191	171	1.70	GKA187R107	
22	7764	68.00	98	2.10	GKF157	4P	8.8	21541	167	171	1.95		
24	7006	61.36	96	2.50	GKA157		10	18188	141	171	2.30		
27	6262	54.84	94	2.80	GKAF157		5.6	33795	262	135	0.85		
31	5445	47.69	91	3.20			6.1	31087	241	135	1.00		
38	4418	38.69	87	3.90			7.0	27217	211	135	1.15		
					GK127		7.6	25024	194	135	1.20	GK167R107	4P
13	12521	109.66	75	1.00	GKF127	4P	8.3	22960	178	135	1.35	GKA167R107	
16	10173	89.10	75	1.20	GKA127		9.7	19477	151	135	1.50		
18	9275	81.23	75	1.30	GKAF127		11	16511	128	135	1.80		
21	8086	70.82	74	1.50			13	14447	112	135	2.10		
24	7114	62.31	73	1.70			GK157R107						
28	6047	52.96	71	2.00	GK127		9.2	20509	159	104	0.90	GKF157R107	4P
32	5326	46.65	70	2.20	GKF127	4P	12	15995	124	103	1.15	GKA157R107	
36	4615	40.42	68	2.70	GKA127		14	13931	108	102	1.30	GKAF157R107	
41	4142	36.28	66	3.00	GKAF127		5.5	36380	176.80	171	1.30		
46	3611	31.63	65	3.40			6.0	33046	160.60	171	1.40		
53	3178	27.83	63	3.90			6.7	29573	143.72	171	1.60	GK187	6P
20	8369	73.30	44	0.90	GK107		7.3	27367	133.00	171	1.80	GKA187	
22	7595	66.52	44	1.00	GKF107	4P	8.2	24410	118.63	171	1.90		
26	6528	57.17	44	1.15	GKA107		9.6	20890	101.52	171	2.10		
29	5697	49.90	44	1.30	GKAF107		8.3	24006	176.80	171	1.95		
							9.2	21806	160.60	171	2.10	GK187	4P
							10	19514	143.72	171	2.40	GKA187	
							11	18059	133.00	171	2.70		

选型参数表
(恒功率)
Selection Table
(Constant Power)

n_a [r/min]	M_a [Nm]	i	F_{ra} [kN]	f_B	机型号 Type size	极数 Pole	n_a [r/min]	M_a [Nm]	i	F_{ra} [kN]	f_B	机型号 Type size	极数 Pole	
22kW							22kW							
11	17602	129.64	135	1.65			76	2640	19.44	14	0.80			
13	15843	116.68	135	1.90			84	2364	17.41	14	0.90			
14	14758	108.69	135	2.00	GK167	4P	102	1962	14.45	14	1.00	GK87	4P	
15	13122	96.64	135	2.20	GKA167		117	1705	12.56	15	1.10	GKF87		
17	11638	85.71	135	2.50			132	1515	11.16	13	0.95	GKA87		
19	10402	76.61	135	2.90			147	1358	10.00	13	1.05	GKAF87		
9.7	20550	99.87	101	0.85			177	1126	8.29	14	1.20			
11	18999	92.33	101	0.90	GK157		204	979	7.21	13	1.25			
12	16616	80.75	100	1.05	GKF157	6P	30kW							
14	13992	68.00	99	1.20	GKA157		6.5	39752	226	171	1.05			
16	12626	61.36	98	1.35	GKAF157		7.7	33596	191	171	1.25	GK187R107	4P	
12	16735	123.25	100	1.05			8.8	29375	167	171	1.45	GKA187R107		
15	13560	99.87	99	1.25		10	24801	141	171	1.70				
16	12536	92.33	98	1.35	GK157	4P	7.0	37114	211	135	0.85			
18	10964	80.75	97	1.55	GKF157		7.6	34124	194	135	0.85			
22	9233	68.00	95	1.80	GKA157		8.3	31309	178	135	1.00	GK167R107	4P	
24	8331	61.36	93	2.10	GKAF157		9.7	26560	151	135	1.10	GKA167R107		
27	7446	54.84	91	2.30			11	22515	128	135	1.30			
31	6475	47.69	89	2.70			13	19700	112	135	1.50			
38	5253	38.69	85	3.30			8.3	32735	176.80	171	1.45			
16	12098	89.10	70	1.00	GK127		4P	9.2	29736	160.60	171	1.55		
18	11029	81.23	70	1.10	GKF127	10		26610	143.72	171	1.75			
21	9616	70.82	70	1.30	GKA127	11		24625	133.00	171	2.00	GK187	4P	
24	8460	62.31	69	1.45	GKAF127	12		21965	118.63	171	2.22	GKA187		
28	7191	52.96	67	1.70		14	18797	101.52	171	2.30				
32	6334	46.65	67	1.90		16	16842	90.96	171	2.50				
36	5488	40.42	66	2.30	GK127	4P	20	13566	73.27	171	2.90			
41	4926	36.28	64	2.50	GKF127		13	21604	116.68	135	1.30			
46	4295	31.63	63	2.90	GKA127		14	20124	108.69	135	1.50			
53	3779	27.83	61	3.30	GKAF127		15	17893	96.64	135	1.70			
62	3211	23.65	60	3.80			17	15869	85.71	135	1.85	GK167	4P	
71	2828	20.83	58	4.30			19	14185	76.61	135	2.10	GKA167		
26	7762	57.17	41	1.00	GK107		4P	22	12524	67.64	135	2.40		
29	6775	49.90	41	1.10	GKF107			24	11172	60.34	135	2.70		
35	5748	42.33	41	1.20	GKA107	29		9426	50.91	135	3.20			
40	5024	37.00	41	1.35	GKAF107	15		18491	99.87	88	0.90			
45	4437	32.68	41	1.55		16	17095	92.33	88	1.00				
47	4220	31.28	41	1.50		18	14951	80.75	88	1.15	GK157	4P		
51	3936	28.99	40	1.75		22	12590	68.00	87	1.30	GKF157			
56	3572	26.31	40	1.90		24	11361	61.36	86	1.50	GKA157			
65	3070	22.61	39	2.20	GK107	27	10154	54.84	85	1.70	GKAF157			
74	2680	19.74	38	2.50	GKF107	31	8830	47.69	83	1.95				
88	2273	16.74	37	2.90	GKA107	38	7164	38.69	81	2.40				
100	1986	14.63	36	3.30	GKAF107	47	5840	31.54	78	3.00				
109	1824	13.43	35	2.20		21	13113	70.82	61	0.95				
125	1591	11.72	34	2.60		24	11537	62.31	61	1.05				
148	1350	9.94	33	2.90		28	9806	52.96	61	1.25				
169	1180	8.69	32	3.20		32	8637	46.65	61	1.40	GK127	4P		
48	4183	30.81	22	0.95	GK97	36	7484	40.42	61	1.65	GKF127			
53	3788	27.90	23	1.05	GKF97	41	6717	36.28	60	1.85	GKA127			
59	3359	24.74	23	1.20	GKA97	46	5856	31.63	59	2.10	GKAF127			
66	3037	22.37	23	1.35	GKAF97	53	5153	27.83	58	2.40				
78	2574	18.96	23	1.60		62	4379	23.65	57	2.80				
89	2248	16.56	23	1.80	GK97	71	3857	20.83	56	3.00				
106	1881	13.85	23	2.20	GKF97	81	3342	18.05	56	3.50				
123	1628	11.99	22	2.30	GKA97	4P	35	7838	42.33	34	0.90	GK107	4P	
141	1413	10.41	21	1.90	GKAF97		40	6851	37.00	36	1.00	GKA107		
169	1183	8.71	20	2.10			47	5792	31.28	34	1.10	GKAF107		

选型参数表
(恒功率)
Selection Table
(Constant Power)

n_a [r/min]	Ma [Nm]	i	F_{ra} [kN]	f_B	机型号 Type size	极数 PoLe	n_a [r/min]	Ma [Nm]	i	F_{ra} [kN]	f_B	机型号 Type size	极数 PoLe
30kW							37kW						
51	5368	28.99	36	1.25			41	8229	36.28	56	1.50		
56	4871	26.31	36	1.40			47	7174	31.63	56	1.70		
65	4186	22.61	36	1.65			53	6312	27.83	55	1.95		
74	3655	19.74	36	1.85	GK107		63	5364	23.65	54	2.30	GK127	
88	3099	16.74	35	2.20	GKF107		71	4725	20.83	53	2.60	GKF127	
100	2709	14.63	34	2.40	GKA107	4P	82	4094	18.05	52	3.00	GKA127	4P
109	2487	13.43	33	1.65	GKAF107		103	3257	14.36	50	3.50	GKAF127	
125	2170	11.72	32	1.90			115	2919	12.87	48	2.80		
148	1840	9.94	31	2.20			133	2529	11.15	46	3.10		
169	1609	8.69	31	2.40			167	2012	8.87	44	3.50		
59	4581	24.74	19	0.90			40	8392	37.00	28	0.80		
66	4142	22.37	19	1.00			47	7096	31.28	30	0.90		
78	3511	18.96	20	1.15	GK97		51	6575	28.99	32	1.05		
89	3066	16.56	20	1.35	GKF97		56	5967	26.31	33	1.15		
106	2564	13.85	20	1.60	GKA97	4P	65	5128	22.61	33	1.30	GK107	
123	2220	11.99	20	1.65	GKAF97		75	4477	19.74	33	1.50	GKF107	
141	1927	10.41	19	1.40			88	3797	16.74	33	1.75	GKA107	4P
169	1613	8.71	18	1.55			101	3318	14.63	32	1.95	GKAF107	
37kW							45kW						
6.5	48697	226	158	0.85			7.7	50054	191	155	0.85	GK187R107	
7.7	41155	191	171	1.00	GK187R107		8.9	43764	167	167	0.95	GKA187R107	4P
8.9	35984	167	171	1.15	GKA187R107	4P	10	36951	141	171	1.15		
10	30382	141	171	1.40			12	33544	128	135	0.85	GK167R107	4P
8.3	38354	178	135	0.80			13	29351	112	135	1.00	GKA167R107	4P
10	32536	151	135	9.00	GK167R107		8	46332	176.80	167	0.95		
12	27580	128	135	1.05	GKA167R107	4P	9	42087	160.60	171	1.05		
13	24133	112	135	1.20			10	37663	143.72	171	1.20		
8.4	40100	176.80	171	1.15			11	34854	133.00	171	1.30		
9.2	36426	160.60	171	1.25			12	31086	118.62	171	1.45	GK187	
10	32597	143.72	171	1.45			15	26604	101.52	171	1.50	GKA187	4P
11	30166	133.00	171	1.60	GK187		16	23837	90.96	171	1.65		
12	26904	118.62	171	1.75	GKA187	4P	20	19201	73.27	171	1.95		
15	23026	101.52	171	1.85			22	17537	66.92	169	2.30		
16	20631	90.96	171	2.00			24	15873	60.57	160	2.50		
20	16619	73.27	171	2.40			28	14091	53.77	160	2.80		
22	15178	66.92	171	2.60			14	28483	108.69	135	1.00		
14	24652	108.69	135	1.20			15	25326	96.64	135	1.10		
15	21919	96.64	135	1.35			17	22461	85.71	135	1.25		
17	19440	85.71	135	1.50			19	20076	76.61	135	1.40		
19	17376	76.61	135	1.70	GK167		22	17726	67.64	135	1.60	GK167	
22	15342	67.64	135	1.95	GKA167	4P	25	15813	60.34	134	1.80	GKA167	4P
25	13686	60.34	135	2.20			29	13341	50.91	130	2.10		
29	11547	50.91	135	2.60			36	10650	40.64	127	2.60		
36	9218	40.64	135	3.20			41	9487	36.20	120	2.80		
16	20942	92.33	79	0.80	GK157		44	8847	33.76	120	3.00		
18	18315	80.75	80	0.95	GKF157		22	18758	68.00	73	0.85		
					GKA157		24	16926	61.36	74	1.00		
					GKAF157		27	15128	54.84	74	1.15		
22	15423	68.00	81	1.05			31	13155	47.69	74	1.30	GK157	
24	13917	61.36	80	1.25	GK157		38	10673	38.69	73	1.60	GKF157	
27	12438	54.84	80	1.40	GKF157		47	8700	31.54	72	1.95	GKA157	4P
31	10817	47.69	79	1.60	GKA157	4P	56	7327	26.56	71	2.20	GKAF157	
38	8775	38.69	77	1.95	GKAF157		62	6612	23.97	69	2.60		
47	7154	31.54	75	2.40			69	5909	21.42	68	2.90		
56	6024	26.56	75	2.80			79	5136	18.62	66	3.30		
24	14133	62.31	55	0.85	GK127								
28	12012	52.96	56	1.00	GKF127								
32	10581	46.65	56	1.15	GKA127	4P							
37	9168	40.42	56	1.35	GKAF127								

选型参数表
(恒功率)

Selection Table
(Constant Power)

n_a [r/min]	Ma [Nm]	i	F_{ra} [kN]	f_B	机型号 Type size	极数 Pole	n_a [r/min]	Ma [Nm]	i	F_{ra} [kN]	f_B	机型号 Type size	极数 Pole			
45kW							55kW									
32	12869	46.65	50	0.95	GK127 GKF127	4P	63	7974	23.65	47	1.55	GK127 GKF127 GKA127 GKAF127	4P			
37	11150	40.42	51	1.10	GKA127		71	7023	20.83	47	1.75					
41	10008	36.28	51	1.25	GKAF127		82	6086	18.05	47	2.00					
47	8725	31.63	52	1.40			103	4842	14.36	46	2.40					
53	7677	27.83	51	1.60		4P	115	4339	12.87	44	1.85	GK187 GKA187	4P			
63	6524	23.65	51	1.85			133	3759	11.15	43	2.10					
71	5746	20.83	51	2.10	GK127		167	2991	8.87	41	2.30					
82	4979	18.05	50	2.50	GKF127		75kW									
103	3961	14.36	48	2.90	GKA127	4P	11	61147	133.00	148	0.80	GK167 GKA167	4P			
115	3550	12.87	46	2.30	GKAF127		12	54536	118.62	148	0.85					
133	3076	11.15	45	2.50			15	46674	101.52	149	0.90					
167	2447	8.87	43	2.80			16	41819	90.96	150	1.00					
51	7997	28.99	24	0.85	GK107	4P	20	33686	73.27	150	1.15	GK157 GKF157 GKA157 GKAF157	4P			
56	7258	26.31	27	0.95	GKF107		22	30767	66.92	149	1.40					
65	6237	22.61	29	1.10	GKA107		24	27847	60.57	147	1.60					
75	5445	19.74	30	1.25	GKAF107		28	24721	53.77	144	1.95					
88	4618	16.74	30	1.45		4P	34	20082	43.68	141	2.30	GK127 GKF127 GKA127 GKAF127	4P			
101	4036	14.63	30	1.60	GK107		37	18312	39.83	140	2.50					
110	3705	13.43	28	1.10	GKF107		41	16409	35.69	140	2.80					
126	3233	11.72	28	1.25	GKA107		19	35222	76.61	113	0.85					
149	2742	9.94	28	1.45	GKAF107	4P	22	31098	67.64	114	0.95	GK157 GKF157 GKA157 GKAF157	4P			
170	2397	8.69	28	1.60			25	27742	60.34	115	1.10					
55kW							29	23406	50.91	114	1.30			GK167 GKA167	4P	
10	48456	143.72	169	0.95			36	18684	40.64	113	1.55					
11	44841	133.00	171	1.10		41	16643	36.20	111	1.80						
12	39993	118.62	171	1.15		44	15521	33.76	109	2.10						
15	34228	101.52	170	1.25		49	13848	30.12	107	2.30	GK127 GKF127 GKA127 GKAF127	4P				
16	30668	90.96	168	1.35	GK187 GKA187	58	11682	25.41	105	2.70						
20	24703	73.27	166	1.60		73	9324	20.28	100	3.20						
22	22562	66.92	162	1.90		82	8308	18.07	100	3.60						
24	20421	60.57	159	2.20		4P	38	17788	38.69	58	1.00	GK157 GKF157 GKA157 GKAF157	4P			
28	18129	53.77	150	2.50			47	14501	31.54	59	1.20					
34	14727	43.68	150	3.00			56	12211	26.56	59	1.35					
17	28897	85.71	131	1.00			62	11020	23.97	59	1.55					
19	25829	76.61	130	1.15		69	9848	21.42	59	1.75	GK127 GKF127 GKA127 GKAF127	4P				
22	22805	67.64	129	1.30		79	8561	18.62	59	2.00						
25	20344	60.34	128	1.50		98	6947	15.11	57	2.50						
29	17164	50.91	125	1.75	GK167 GKA167	113	5995	13.04	56	2.80						
36	13702	40.64	121	2.10		4P	47	14542	31.63	37	0.85	GK157 GKF157 GKA157 GKAF157	4P			
41	12205	36.20	119	2.50			53	12795	27.83	39	0.95					
44	11382	33.76	118	2.70			63	10873	23.65	40	1.10					
49	10155	30.12	118	3.00			71	9577	20.83	41	1.25					
58	8567	25.41	118	3.50		4P	82	8299	18.05	41	1.50	GK187 GKA187	4P			
24	20688	61.36	66	0.85			103	6602	14.36	42	1.75					
27	18490	54.84	67	0.95			115	5917	12.87	39	1.40					
31	16079	47.69	68	1.10			133	5126	11.15	39	1.55					
38	13044	38.69	68	1.35	GK157	4P	167	4078	8.87	38	1.70	GK127 GKF127 GKA127 GKAF127	4P			
47	10634	31.54	67	1.60	GKF157		90kW									
56	8955	26.56	67	1.85	GKA157		16	49846	90.96	136	0.85			GK187 GKA187	4P	
62	8082	23.97	66	2.10	GKAF157		20	40152	73.27	138	1.00					
69	7222	21.42	65	2.40		22	36672	66.92	139	1.15						
79	6278	18.62	64	2.80		25	33193	60.57	138	1.35						
98	5094	15.11	62	3.40		4P	28	29466	53.77	137	1.60	GK127 GKF127 GKA127 GKAF127	4P			
113	4396	13.04	60	3.80			34	23937	43.68	134	1.90					
37	13628	40.42	45	0.90	GK127 GKF127		37	21827	39.83	134	2.00					
47	10664	31.63	47	1.15	GKA127		42	19558	35.69	132	2.20					
53	9383	27.83	47	1.30	GKAF127	4P	52	15755	28.75	130	2.70					

选型参数表
(恒扭矩)
Selection Table
(Constant Torque)

n_a [r/min]	Ma [Nm]	i	F_{ra} [kN]	f_B	机型号 Type size	极数 PoLe	n_a [r/min]	Ma [Nm]	i	F_{ra} [kN]	f_B	机型号 Type size	极数 PoLe																																																																																																																																																																																																																																																																																																																																																							
90kW							132kW																																																																																																																																																																																																																																																																																																																																																													
22	37067	67.64	104	0.80	GK167 GKA167	4P	22	53786	66.92	111	0.80	GK187 GKA187	4P																																																																																																																																																																																																																																																																																																																																																							
25	33067	60.34	105	0.90			29	27899	50.91	106	1.05			37	22271	40.64	106	1.30	41	19838	36.20	105	1.50	44	18501	33.76	104	1.70	49	16506	30.12	103	1.90	59	13925	25.41	101	2.30	73	11114	20.28	98	2.70	82	9902	18.07	95	3.20	39	21202	38.69	50	0.80	47	17284	31.54	53	1.00	56	14555	26.56	54	1.10	62	13136	23.97	55	1.30	70	11738	21.42	55	1.45	80	10204	18.62	55	1.70	99	8280	15.11	55	2.10	114	7146	13.04	54	2.30	63	12960	23.65	35	0.95	72	11415	20.83	36	1.05	83	9891	18.05	37	1.25	104	7869	14.36	38	1.45	116	7053	12.87	36	1.15	134	6110	11.15	36	1.30	168	4861	8.87	36	1.45	110kW							160kW							20	49075	73.27	122	0.80	GK187 GKA187	4P	28	52384	53.77	103	0.90	GK187 GKA187	4P	22	44822	66.92	126	0.95	25	40569	60.57	127	1.10	28	36014	53.77	127	1.30	34	29256	43.68	127	1.55	37	26677	39.83	126	1.65	42	23905	35.69	125	1.85	52	19256	28.75	123	2.10	63	15914	23.76	121	2.50	71	14132	21.10	120	2.80	29	34099	50.91	95	0.85	37	27220	40.64	97	1.05	41	24246	36.20	97	1.25	44	22612	33.76	97	1.40	49	20174	30.12	97	1.55	59	17019	25.41	95	1.85	73	13583	20.28	94	2.20	84	11822	17.65	92	2.60	62	16055	23.97	48	1.05	70	14347	21.42	49	1.10	80	12471	18.62	50	1.15	99	10120	15.11	50	1.26	114	8734	13.04	50	1.35	200kW							200kW														34	53193	43.68	90	0.85	GK187 GKA187	4P								52	35011	28.75	97	1.15								57	31967	26.25	98	1.30								63	28935	23.76	99	1.40								71	25695	21.10	98	1.50								87	20873	17.14	97	1.70							
29	27899	50.91	106	1.05			37	22271	40.64	106	1.30			41	19838	36.20	105	1.50	44	18501	33.76	104	1.70	49	16506	30.12	103	1.90	59	13925	25.41	101	2.30	73	11114	20.28	98	2.70	82	9902	18.07	95	3.20	39	21202	38.69	50	0.80	47	17284	31.54	53	1.00	56	14555	26.56	54	1.10	62	13136	23.97	55	1.30	70	11738	21.42	55	1.45	80	10204	18.62	55	1.70	99	8280	15.11	55	2.10	114	7146	13.04	54	2.30	63	12960	23.65	35	0.95	72	11415	20.83	36	1.05	83	9891	18.05	37	1.25	104	7869	14.36	38	1.45	116	7053	12.87	36	1.15	134	6110	11.15	36	1.30	168	4861	8.87	36	1.45	110kW							160kW							20	49075	73.27	122	0.80	GK187 GKA187	4P	28	52384	53.77			103	0.90	GK187 GKA187	4P	22			44822	66.92	126	0.95	25	40569	60.57	127	1.10	28	36014	53.77	127	1.30	34	29256	43.68	127	1.55	37	26677	39.83	126	1.65	42	23905	35.69	125	1.85	52	19256	28.75	123	2.10	63	15914	23.76	121	2.50	71	14132	21.10	120	2.80	29	34099	50.91	95	0.85	37	27220	40.64	97	1.05	41	24246	36.20	97	1.25	44	22612	33.76	97	1.40	49	20174	30.12	97	1.55	59	17019	25.41	95	1.85	73	13583	20.28	94	2.20	84	11822	17.65	92	2.60	62	16055	23.97	48	1.05	70	14347	21.42	49	1.10	80	12471	18.62	50	1.15	99	10120	15.11	50	1.26	114	8734	13.04	50	1.35	200kW							200kW														34	53193	43.68	90	0.85	GK187 GKA187			4P								52	35011	28.75	97	1.15								57	31967	26.25	98	1.30								63	28935	23.76	99	1.40								71	25695	21.10	98	1.50								87	20873	17.14	97	1.70						
37	22271	40.64	106	1.30			41	19838	36.20	105	1.50			44	18501	33.76	104	1.70	49	16506	30.12	103	1.90	59	13925	25.41	101	2.30	73	11114	20.28	98	2.70	82	9902	18.07	95	3.20	39	21202	38.69	50	0.80	47	17284	31.54	53	1.00	56	14555	26.56	54	1.10	62	13136	23.97	55	1.30	70	11738	21.42	55	1.45	80	10204	18.62	55	1.70	99	8280	15.11	55	2.10	114	7146	13.04	54	2.30	63	12960	23.65	35	0.95	72	11415	20.83	36	1.05	83	9891	18.05	37	1.25	104	7869	14.36	38	1.45	116	7053	12.87	36	1.15	134	6110	11.15	36	1.30	168	4861	8.87	36	1.45	110kW							160kW							20	49075	73.27	122	0.80	GK187 GKA187	4P	28	52384	53.77			103	0.90	GK187 GKA187			4P	22			44822			66.92	126	0.95	25	40569	60.57	127	1.10	28	36014	53.77	127	1.30	34	29256	43.68	127	1.55	37	26677	39.83	126	1.65	42	23905	35.69	125	1.85	52	19256	28.75	123	2.10	63	15914	23.76	121	2.50	71	14132	21.10	120	2.80	29	34099	50.91	95	0.85	37	27220	40.64	97	1.05	41	24246	36.20	97	1.25	44	22612	33.76	97	1.40	49	20174	30.12	97	1.55	59	17019	25.41	95	1.85	73	13583	20.28	94	2.20	84	11822	17.65	92	2.60	62	16055	23.97	48	1.05	70	14347	21.42	49	1.10	80	12471	18.62	50	1.15	99	10120	15.11	50	1.26	114	8734	13.04	50	1.35	200kW							200kW														34	53193	43.68	90	0.85	GK187 GKA187					4P								52	35011	28.75	97	1.15								57	31967	26.25	98	1.30								63	28935	23.76	99	1.40								71	25695	21.10	98	1.50								87	20873	17.14	97	1.70					
41	19838	36.20	105	1.50			44	18501	33.76	104	1.70			49	16506	30.12	103	1.90	59	13925	25.41	101	2.30	73	11114	20.28	98	2.70	82	9902	18.07	95	3.20	39	21202	38.69	50	0.80	47	17284	31.54	53	1.00	56	14555	26.56	54	1.10	62	13136	23.97	55	1.30	70	11738	21.42	55	1.45	80	10204	18.62	55	1.70	99	8280	15.11	55	2.10	114	7146	13.04	54	2.30	63	12960	23.65	35	0.95	72	11415	20.83	36	1.05	83	9891	18.05	37	1.25	104	7869	14.36	38	1.45	116	7053	12.87	36	1.15	134	6110	11.15	36	1.30	168	4861	8.87	36	1.45	110kW							160kW							20	49075	73.27	122	0.80	GK187 GKA187	4P	28	52384	53.77			103	0.90	GK187 GKA187			4P	22					44822			66.92			126	0.95	25	40569	60.57	127	1.10	28	36014	53.77	127	1.30	34	29256	43.68	127	1.55	37	26677	39.83	126	1.65	42	23905	35.69	125	1.85	52	19256	28.75	123	2.10	63	15914	23.76	121	2.50	71	14132	21.10	120	2.80	29	34099	50.91	95	0.85	37	27220	40.64	97	1.05	41	24246	36.20	97	1.25	44	22612	33.76	97	1.40	49	20174	30.12	97	1.55	59	17019	25.41	95	1.85	73	13583	20.28	94	2.20	84	11822	17.65	92	2.60	62	16055	23.97	48	1.05	70	14347	21.42	49	1.10	80	12471	18.62	50	1.15	99	10120	15.11	50	1.26	114	8734	13.04	50	1.35	200kW							200kW														34	53193	43.68	90	0.85	GK187 GKA187							4P								52	35011	28.75	97	1.15								57	31967	26.25	98	1.30								63	28935	23.76	99	1.40								71	25695	21.10	98	1.50								87	20873	17.14	97	1.70				
44	18501	33.76	104	1.70			49	16506	30.12	103	1.90			59	13925	25.41	101	2.30	73	11114	20.28	98	2.70	82	9902	18.07	95	3.20	39	21202	38.69	50	0.80	47	17284	31.54	53	1.00	56	14555	26.56	54	1.10	62	13136	23.97	55	1.30	70	11738	21.42	55	1.45	80	10204	18.62	55	1.70	99	8280	15.11	55	2.10	114	7146	13.04	54	2.30	63	12960	23.65	35	0.95	72	11415	20.83	36	1.05	83	9891	18.05	37	1.25	104	7869	14.36	38	1.45	116	7053	12.87	36	1.15	134	6110	11.15	36	1.30	168	4861	8.87	36	1.45	110kW							160kW							20	49075	73.27	122	0.80	GK187 GKA187	4P	28	52384	53.77			103	0.90	GK187 GKA187			4P	22					44822					66.92			126			0.95	25	40569	60.57	127	1.10	28	36014	53.77	127	1.30	34	29256	43.68	127	1.55	37	26677	39.83	126	1.65	42	23905	35.69	125	1.85	52	19256	28.75	123	2.10	63	15914	23.76	121	2.50	71	14132	21.10	120	2.80	29	34099	50.91	95	0.85	37	27220	40.64	97	1.05	41	24246	36.20	97	1.25	44	22612	33.76	97	1.40	49	20174	30.12	97	1.55	59	17019	25.41	95	1.85	73	13583	20.28	94	2.20	84	11822	17.65	92	2.60	62	16055	23.97	48	1.05	70	14347	21.42	49	1.10	80	12471	18.62	50	1.15	99	10120	15.11	50	1.26	114	8734	13.04	50	1.35	200kW							200kW														34	53193	43.68	90	0.85	GK187 GKA187									4P								52	35011	28.75	97	1.15								57	31967	26.25	98	1.30								63	28935	23.76	99	1.40								71	25695	21.10	98	1.50								87	20873	17.14	97	1.70			
49	16506	30.12	103	1.90			59	13925	25.41	101	2.30			73	11114	20.28	98	2.70	82	9902	18.07	95	3.20	39	21202	38.69	50	0.80	47	17284	31.54	53	1.00	56	14555	26.56	54	1.10	62	13136	23.97	55	1.30	70	11738	21.42	55	1.45	80	10204	18.62	55	1.70	99	8280	15.11	55	2.10	114	7146	13.04	54	2.30	63	12960	23.65	35	0.95	72	11415	20.83	36	1.05	83	9891	18.05	37	1.25	104	7869	14.36	38	1.45	116	7053	12.87	36	1.15	134	6110	11.15	36	1.30	168	4861	8.87	36	1.45	110kW							160kW							20	49075	73.27	122	0.80	GK187 GKA187	4P	28	52384	53.77			103	0.90	GK187 GKA187			4P	22					44822					66.92					126			0.95			25	40569	60.57	127	1.10	28	36014	53.77	127	1.30	34	29256	43.68	127	1.55	37	26677	39.83	126	1.65	42	23905	35.69	125	1.85	52	19256	28.75	123	2.10	63	15914	23.76	121	2.50	71	14132	21.10	120	2.80	29	34099	50.91	95	0.85	37	27220	40.64	97	1.05	41	24246	36.20	97	1.25	44	22612	33.76	97	1.40	49	20174	30.12	97	1.55	59	17019	25.41	95	1.85	73	13583	20.28	94	2.20	84	11822	17.65	92	2.60	62	16055	23.97	48	1.05	70	14347	21.42	49	1.10	80	12471	18.62	50	1.15	99	10120	15.11	50	1.26	114	8734	13.04	50	1.35	200kW							200kW														34	53193	43.68	90	0.85	GK187 GKA187											4P								52	35011	28.75	97	1.15								57	31967	26.25	98	1.30								63	28935	23.76	99	1.40								71	25695	21.10	98	1.50								87	20873	17.14	97	1.70		
59	13925	25.41	101	2.30			73	11114	20.28	98	2.70			82	9902	18.07	95	3.20	39	21202	38.69	50	0.80	47	17284	31.54	53	1.00	56	14555	26.56	54	1.10	62	13136	23.97	55	1.30	70	11738	21.42	55	1.45	80	10204	18.62	55	1.70	99	8280	15.11	55	2.10	114	7146	13.04	54	2.30	63	12960	23.65	35	0.95	72	11415	20.83	36	1.05	83	9891	18.05	37	1.25	104	7869	14.36	38	1.45	116	7053	12.87	36	1.15	134	6110	11.15	36	1.30	168	4861	8.87	36	1.45	110kW							160kW							20	49075	73.27	122	0.80	GK187 GKA187	4P	28	52384	53.77			103	0.90	GK187 GKA187			4P	22					44822					66.92					126					0.95			25			40569	60.57	127	1.10	28	36014	53.77	127	1.30	34	29256	43.68	127	1.55	37	26677	39.83	126	1.65	42	23905	35.69	125	1.85	52	19256	28.75	123	2.10	63	15914	23.76	121	2.50	71	14132	21.10	120	2.80	29	34099	50.91	95	0.85	37	27220	40.64	97	1.05	41	24246	36.20	97	1.25	44	22612	33.76	97	1.40	49	20174	30.12	97	1.55	59	17019	25.41	95	1.85	73	13583	20.28	94	2.20	84	11822	17.65	92	2.60	62	16055	23.97	48	1.05	70	14347	21.42	49	1.10	80	12471	18.62	50	1.15	99	10120	15.11	50	1.26	114	8734	13.04	50	1.35	200kW							200kW														34	53193	43.68	90	0.85	GK187 GKA187													4P								52	35011	28.75	97	1.15								57	31967	26.25	98	1.30								63	28935	23.76	99	1.40								71	25695	21.10	98	1.50								87	20873	17.14	97	1.70	
73	11114	20.28	98	2.70			82	9902	18.07	95	3.20			39	21202	38.69	50	0.80	47	17284	31.54	53	1.00	56	14555	26.56	54	1.10	62	13136	23.97	55	1.30	70	11738	21.42	55	1.45	80	10204	18.62	55	1.70	99	8280	15.11	55	2.10	114	7146	13.04	54	2.30	63	12960	23.65	35	0.95	72	11415	20.83	36	1.05	83	9891	18.05	37	1.25	104	7869	14.36	38	1.45	116	7053	12.87	36	1.15	134	6110	11.15	36	1.30	168	4861	8.87	36	1.45	110kW							160kW							20	49075	73.27	122	0.80	GK187 GKA187	4P	28	52384	53.77			103	0.90	GK187 GKA187			4P	22					44822					66.92					126					0.95					25			40569			60.57	127	1.10	28	36014	53.77	127	1.30	34	29256	43.68	127	1.55	37	26677	39.83	126	1.65	42	23905	35.69	125	1.85	52	19256	28.75	123	2.10	63	15914	23.76	121	2.50	71	14132	21.10	120	2.80	29	34099	50.91	95	0.85	37	27220	40.64	97	1.05	41	24246	36.20	97	1.25	44	22612	33.76	97	1.40	49	20174	30.12	97	1.55	59	17019	25.41	95	1.85	73	13583	20.28	94	2.20	84	11822	17.65	92	2.60	62	16055	23.97	48	1.05	70	14347	21.42	49	1.10	80	12471	18.62	50	1.15	99	10120	15.11	50	1.26	114	8734	13.04	50	1.35	200kW							200kW														34	53193	43.68	90	0.85	GK187 GKA187															4P								52	35011	28.75	97	1.15								57	31967	26.25	98	1.30								63	28935	23.76	99	1.40								71	25695	21.10	98	1.50								87	20873	17.14	97	1.70
82	9902	18.07	95	3.20			39	21202	38.69	50	0.80			47	17284	31.54	53	1.00	56	14555	26.56	54	1.10	62	13136	23.97	55	1.30	70	11738	21.42	55	1.45	80	10204	18.62	55	1.70	99	8280	15.11	55	2.10	114	7146	13.04	54	2.30	63	12960	23.65	35	0.95	72	11415	20.83	36	1.05	83	9891	18.05	37	1.25	104	7869	14.36	38	1.45	116	7053	12.87	36	1.15	134	6110	11.15	36	1.30	168	4861	8.87	36	1.45	110kW							160kW							20	49075	73.27	122	0.80	GK187 GKA187	4P	28	52384	53.77			103	0.90	GK187 GKA187			4P	22					44822					66.92					126					0.95					25					40569			60.57			127	1.10	28	36014	53.77	127	1.30	34	29256	43.68	127	1.55	37	26677	39.83	126	1.65	42	23905	35.69	125	1.85	52	19256	28.75	123	2.10	63	15914	23.76	121	2.50	71	14132	21.10	120	2.80	29	34099	50.91	95	0.85	37	27220	40.64	97	1.05	41	24246	36.20	97	1.25	44	22612	33.76	97	1.40	49	20174	30.12	97	1.55	59	17019	25.41	95	1.85	73	13583	20.28	94	2.20	84	11822	17.65	92	2.60	62	16055	23.97	48	1.05	70	14347	21.42	49	1.10	80	12471	18.62	50	1.15	99	10120	15.11	50	1.26	114	8734	13.04	50	1.35	200kW							200kW														34	53193	43.68	90	0.85	GK187 GKA187																	4P								52	35011	28.75	97	1.15								57	31967	26.25	98	1.30								63	28935	23.76	99	1.40								71	25695	21.10	98	1.50								87	20873	17.14	97
39	21202	38.69	50	0.80	47	17284	31.54	53	1.00	56	14555	26.56	54	1.10	62	13136	23.97	55	1.30	70	11738	21.42	55	1.45	80	10204	18.62	55	1.70	99	8280	15.11	55	2.10	114	7146	13.04	54	2.30	63	12960	23.65	35	0.95	72	11415	20.83	36	1.05	83	9891	18.05	37	1.25	104	7869	14.36	38	1.45	116	7053	12.87	36	1.15	134	6110	11.15	36	1.30	168	4861	8.87	36	1.45	110kW							160kW							20	49075	73.27	122	0.80	GK187 GKA187	4P	28	52384	53.77	103	0.90	GK187 GKA187	4P			22	44822	66.92			126	0.95					25					40569					60.57					127					1.10					28					36014			53.77			127	1.30	34	29256	43.68	127	1.55	37	26677	39.83	126	1.65	42	23905	35.69	125	1.85	52	19256	28.75	123	2.10	63	15914	23.76	121	2.50	71	14132	21.10	120	2.80	29	34099	50.91	95	0.85	37	27220	40.64	97	1.05	41	24246	36.20	97	1.25	44	22612	33.76	97	1.40	49	20174	30.12	97	1.55	59	17019	25.41	95	1.85	73	13583	20.28	94	2.20	84	11822	17.65	92	2.60	62	16055	23.97	48	1.05	70	14347	21.42	49	1.10	80	12471	18.62	50	1.15	99	10120	15.11	50	1.26	114	8734	13.04	50	1.35	200kW							200kW														34	53193	43.68	90	0.85	GK187 GKA187	4P																						52	35011	28.75	97	1.15								57	31967	26.25	98	1.30								63	28935	23.76	99	1.40								71	25695	21.10	98	1.50								87	20873	17.14	97	1.70						
47	17284	31.54	53	1.00	56	14555	26.56	54	1.10	62	13136	23.97	55	1.30	70	11738	21.42	55	1.45	80	10204	18.62	55	1.70	99	8280	15.11	55	2.10	114	7146	13.04	54	2.30	63	12960	23.65	35	0.95	72	11415	20.83	36	1.05	83	9891	18.05	37	1.25	104	7869	14.36	38	1.45	116	7053	12.87	36	1.15	134	6110	11.15	36	1.30	168	4861	8.87	36	1.45	110kW							160kW							20	49075	73.27	122	0.80	GK187 GKA187	4P	28	52384	53.77			103	0.90	GK187 GKA187	4P	22					44822	66.92	126			0.95	25					40569					60.57					127					1.10					28					36014		53.77	127		1.30			34	29256	43.68	127	1.55	37	26677	39.83	126	1.65	42	23905	35.69	125	1.85	52	19256	28.75	123	2.10	63	15914	23.76	121	2.50	71	14132	21.10	120	2.80	29	34099	50.91	95	0.85	37	27220	40.64	97	1.05	41	24246	36.20	97	1.25	44	22612	33.76	97	1.40	49	20174	30.12	97	1.55	59	17019	25.41	95	1.85	73	13583	20.28	94	2.20	84	11822	17.65	92	2.60	62	16055	23.97	48	1.05	70	14347	21.42	49	1.10	80	12471	18.62	50	1.15	99	10120	15.11	50	1.26	114	8734	13.04	50	1.35	200kW							200kW														34	53193	43.68	90	0.85	GK187 GKA187	4P								52									35011	28.75									97	1.15								57	31967	26.25	98	1.30								63	28935	23.76	99	1.40								71	25695	21.10	98	1.50								87	20873	17.14	97	1.70									
56	14555	26.56	54	1.10	62	13136	23.97	55	1.30	70	11738	21.42	55	1.45	80	10204	18.62	55	1.70	99	8280	15.11	55	2.10	114	7146	13.04	54	2.30	63	12960	23.65	35	0.95	72	11415	20.83	36	1.05	83	9891	18.05	37	1.25	104	7869	14.36	38	1.45	116	7053	12.87	36	1.15	134	6110	11.15	36	1.30	168	4861	8.87	36	1.45	110kW							160kW							20	49075	73.27	122	0.80	GK187 GKA187	4P	28	52384	53.77			103	0.90	GK187 GKA187			4P	22			44822					66.92	126	0.95			25	40569					60.57					127					1.10					28					36014		53.77	127		1.30		34	29256		43.68	127	1.55	37	26677	39.83	126	1.65	42	23905	35.69	125	1.85	52	19256	28.75	123	2.10	63	15914	23.76	121	2.50	71	14132	21.10	120	2.80	29	34099	50.91	95	0.85	37	27220	40.64	97	1.05	41	24246	36.20	97	1.25	44	22612	33.76	97	1.40	49	20174	30.12	97	1.55	59	17019	25.41	95	1.85	73	13583	20.28	94	2.20	84	11822	17.65	92	2.60	62	16055	23.97	48	1.05	70	14347	21.42	49	1.10	80	12471	18.62	50	1.15	99	10120	15.11	50	1.26	114	8734	13.04	50	1.35	200kW							200kW														34	53193	43.68	90	0.85	GK187 GKA187	4P								52			35011	28.75	97								1.15											57	31967	26.25	98	1.30								63	28935	23.76	99	1.40								71	25695	21.10	98	1.50								87	20873	17.14	97	1.70																		
62	13136	23.97	55	1.30	70	11738	21.42	55	1.45	80	10204	18.62	55	1.70	99	8280	15.11	55	2.10	114	7146	13.04	54	2.30	63	12960	23.65	35	0.95	72	11415	20.83	36	1.05	83	9891	18.05	37	1.25	104	7869	14.36	38	1.45	116	7053	12.87	36	1.15	134	6110	11.15	36	1.30	168	4861	8.87	36	1.45	110kW							160kW							20	49075	73.27	122	0.80	GK187 GKA187	4P	28	52384	53.77			103	0.90	GK187 GKA187			4P	22					44822			66.92					126	0.95	25			40569	60.57					127					1.10					28					36014		53.77	127		1.30		34	29256		43.68	127	1.55	37	26677	39.83	126	1.65	42	23905	35.69	125	1.85	52	19256	28.75	123	2.10	63	15914	23.76	121	2.50	71	14132	21.10	120	2.80	29	34099	50.91	95	0.85	37	27220	40.64	97	1.05	41	24246	36.20	97	1.25	44	22612	33.76	97	1.40	49	20174	30.12	97	1.55	59	17019	25.41	95	1.85	73	13583	20.28	94	2.20	84	11822	17.65	92	2.60	62	16055	23.97	48	1.05	70	14347	21.42	49	1.10	80	12471	18.62	50	1.15	99	10120	15.11	50	1.26	114	8734	13.04	50	1.35	200kW							200kW														34	53193	43.68	90	0.85	GK187 GKA187	4P								52			35011	28.75	97			1.15									57	31967	26.25	98	1.30								63	28935	23.76	99	1.40								71	25695	21.10	98	1.50								87	20873	17.14	97	1.70																														
70	11738	21.42	55	1.45	80	10204	18.62	55	1.70	99	8280	15.11	55	2.10	114	7146	13.04	54	2.30	63	12960	23.65	35	0.95	72	11415	20.83	36	1.05	83	9891	18.05	37	1.25	104	7869	14.36	38	1.45	116	7053	12.87	36	1.15	134	6110	11.15	36	1.30	168	4861	8.87	36	1.45	110kW							160kW							20	49075	73.27	122	0.80	GK187 GKA187	4P	28	52384	53.77			103	0.90	GK187 GKA187			4P	22					44822					66.92			126					0.95	25	40569			60.57	127					1.10					28					36014		53.77	127		1.30		34	29256		43.68	127	1.55	37	26677	39.83	126	1.65	42	23905	35.69	125	1.85	52	19256	28.75	123	2.10	63	15914	23.76	121	2.50	71	14132	21.10	120	2.80	29	34099	50.91	95	0.85	37	27220	40.64	97	1.05	41	24246	36.20	97	1.25	44	22612	33.76	97	1.40	49	20174	30.12	97	1.55	59	17019	25.41	95	1.85	73	13583	20.28	94	2.20	84	11822	17.65	92	2.60	62	16055	23.97	48	1.05	70	14347	21.42	49	1.10	80	12471	18.62	50	1.15	99	10120	15.11	50	1.26	114	8734	13.04	50	1.35	200kW							200kW														34	53193	43.68	90	0.85	GK187 GKA187	4P								52			35011	28.75	97			1.15													57	31967	26.25	98	1.30									63	28935	23.76	99	1.40								71	25695	21.10	98	1.50								87	20873	17.14	97	1.70																														
80	10204	18.62	55	1.70	99	8280	15.11	55	2.10	114	7146	13.04	54	2.30	63	12960	23.65	35	0.95	72	11415	20.83	36	1.05	83	9891	18.05	37	1.25	104	7869	14.36	38	1.45	116	7053	12.87	36	1.15	134	6110	11.15	36	1.30	168	4861	8.87	36	1.45	110kW							160kW							20	49075	73.27	122	0.80	GK187 GKA187	4P	28	52384	53.77			103	0.90	GK187 GKA187			4P	22					44822					66.92					126			0.95					25	40569	60.57			127	1.10					28					36014		53.77	127		1.30		34	29256		43.68	127	1.55	37	26677	39.83	126	1.65	42	23905	35.69	125	1.85	52	19256	28.75	123	2.10	63	15914	23.76	121	2.50	71	14132	21.10	120	2.80	29	34099	50.91	95	0.85	37	27220	40.64	97	1.05	41	24246	36.20	97	1.25	44	22612	33.76	97	1.40	49	20174	30.12	97	1.55	59	17019	25.41	95	1.85	73	13583	20.28	94	2.20	84	11822	17.65	92	2.60	62	16055	23.97	48	1.05	70	14347	21.42	49	1.10	80	12471	18.62	50	1.15	99	10120	15.11	50	1.26	114	8734	13.04	50	1.35	200kW							200kW														34	53193	43.68	90	0.85	GK187 GKA187	4P								52			35011	28.75	97			1.15										57	31967	26.25					98	1.30								63					28935	23.76	99	1.40								71	25695	21.10	98	1.50								87	20873	17.14	97	1.70																															
99	8280	15.11	55	2.10	114	7146	13.04	54	2.30	63	12960	23.65	35	0.95	72	11415	20.83	36	1.05	83	9891	18.05	37	1.25	104	7869	14.36	38	1.45	116	7053	12.87	36	1.15	134	6110	11.15	36	1.30	168	4861	8.87	36	1.45	110kW							160kW							20	49075	73.27	122	0.80	GK187 GKA187	4P	28	52384	53.77			103	0.90	GK187 GKA187			4P	22					44822					66.92					126					0.95			25					40569	60.57	127			1.10	28					36014		53.77	127		1.30		34	29256		43.68	127	1.55	37	26677	39.83	126	1.65	42	23905	35.69	125	1.85	52	19256	28.75	123	2.10	63	15914	23.76	121	2.50	71	14132	21.10	120	2.80	29	34099	50.91	95	0.85	37	27220	40.64	97	1.05	41	24246	36.20	97	1.25	44	22612	33.76	97	1.40	49	20174	30.12	97	1.55	59	17019	25.41	95	1.85	73	13583	20.28	94	2.20	84	11822	17.65	92	2.60	62	16055	23.97	48	1.05	70	14347	21.42	49	1.10	80	12471	18.62	50	1.15	99	10120	15.11	50	1.26	114	8734	13.04	50	1.35	200kW							200kW														34	53193	43.68	90	0.85	GK187 GKA187	4P								52			35011	28.75	97			1.15										57	31967	26.25			98	1.30								63	28935	23.76	99	1.40								71	25695	21.10	98	1.50								87	20873	17.14	97	1.70																																										
114	7146	13.04	54	2.30	63	12960	23.65	35	0.95	72	11415	20.83	36	1.05	83	9891	18.05	37	1.25	104	7869	14.36	38	1.45	116	7053	12.87	36	1.15	134	6110	11.15	36	1.30	168	4861	8.87	36	1.45	110kW							160kW							20	49075	73.27	122	0.80	GK187 GKA187	4P	28	52384	53.77			103	0.90	GK187 GKA187			4P	22					44822					66.92					126					0.95					25			40569					60.57	127	1.10			28	36014		53.77	127		1.30		34	29256		43.68	127	1.55	37	26677	39.83	126	1.65	42	23905	35.69	125	1.85	52	19256	28.75	123	2.10	63	15914	23.76	121	2.50	71	14132	21.10	120	2.80	29	34099	50.91	95	0.85	37	27220	40.64	97	1.05	41	24246	36.20	97	1.25	44	22612	33.76	97	1.40	49	20174	30.12	97	1.55	59	17019	25.41	95	1.85	73	13583	20.28	94	2.20	84	11822	17.65	92	2.60	62	16055	23.97	48	1.05	70	14347	21.42	49	1.10	80	12471	18.62	50	1.15	99	10120	15.11	50	1.26	114	8734	13.04	50	1.35	200kW							200kW														34	53193	43.68	90	0.85	GK187 GKA187	4P								52			35011	28.75	97			1.15										57	31967	26.25			98	1.30									63	28935	23.76	99	1.40								71	25695			21.10	98	1.50								87	20873	17.14	97	1.70																																												
63	12960	23.65	35	0.95	72	11415	20.83	36	1.05	83	9891	18.05	37	1.25	104	7869	14.36	38	1.45	116	7053	12.87	36	1.15	134	6110	11.15	36	1.30	168	4861	8.87	36	1.45	110kW							160kW							20	49075	73.27	122	0.80	GK187 GKA187	4P	28	52384	53.77			103	0.90	GK187 GKA187			4P	22					44822					66.92					126					0.95					25					40569			60.57					127	1.10	28	36014	53.77	127	1.30		34	29256		43.68	127	1.55	37	26677	39.83	126	1.65	42	23905	35.69	125	1.85	52	19256	28.75	123	2.10	63	15914	23.76	121	2.50	71	14132	21.10	120	2.80	29	34099	50.91	95	0.85	37	27220	40.64	97	1.05	41	24246	36.20	97	1.25	44	22612	33.76	97	1.40	49	20174	30.12	97	1.55	59	17019	25.41	95	1.85	73	13583	20.28	94	2.20	84	11822	17.65	92	2.60	62	16055	23.97	48	1.05	70	14347	21.42	49	1.10	80	12471	18.62	50	1.15	99	10120	15.11	50	1.26	114	8734	13.04	50	1.35	200kW							200kW														34	53193	43.68	90	0.85	GK187 GKA187	4P								52			35011	28.75	97			1.15										57	31967	26.25			98	1.30									63	28935	23.76		99	1.40								71	25695	21.10	98	1.50								87	20873	17.14	97	1.70																																																		
72	11415	20.83	36	1.05	83	9891	18.05	37	1.25	104	7869	14.36	38	1.45	116	7053	12.87	36	1.15	134	6110	11.15	36	1.30	168	4861	8.87	36	1.45	110kW							160kW							20	49075	73.27	122	0.80	GK187 GKA187	4P	28	52384	53.77			103	0.90	GK187 GKA187			4P	22					44822					66.92					126					0.95					25					40569					60.57			127			1.10	28	36014	53.77	127	1.30	34	29256	43.68	127	1.55	37	26677	39.83	126	1.65	42	23905	35.69	125	1.85	52	19256	28.75	123	2.10	63	15914	23.76	121	2.50	71	14132	21.10	120	2.80	29	34099	50.91	95	0.85	37	27220	40.64	97	1.05	41	24246	36.20	97	1.25	44	22612	33.76	97	1.40	49	20174	30.12	97	1.55	59	17019	25.41	95	1.85	73	13583	20.28	94	2.20	84	11822	17.65	92	2.60	62	16055	23.97	48	1.05	70	14347	21.42	49	1.10	80	12471	18.62	50	1.15	99	10120	15.11	50	1.26	114	8734	13.04	50	1.35	200kW							200kW														34	53193	43.68	90	0.85	GK187 GKA187	4P								52			35011	28.75	97			1.15										57	31967	26.25			98	1.30									63	28935	23.76			99	1.40								71	25695	21.10	98	1.50								87	20873	17.14	97	1.70																																																						
83	9891	18.05	37	1.25	104	7869	14.36	38	1.45	116	7053	12.87	36	1.15	134	6110	11.15	36	1.30	168	4861	8.87	36	1.45	110kW							160kW							20	49075	73.27	122	0.80	GK187 GKA187	4P	28	52384	53.77			103	0.90	GK187 GKA187			4P	22					44822					66.92					126					0.95					25					40569					60.57		127	1.10		28			36014	53.77	127	1.30	34	29256	43.68	127	1.55	37	26677	39.83	126	1.65	42	23905	35.69	125	1.85	52	19256	28.75	123	2.10	63	15914	23.76	121	2.50	71	14132	21.10	120	2.80	29	34099	50.91	95	0.85	37	27220	40.64	97	1.05	41	24246	36.20	97	1.25	44	22612	33.76	97	1.40	49	20174	30.12	97	1.55	59	17019	25.41	95	1.85	73	13583	20.28	94	2.20	84	11822	17.65	92	2.60	62	16055	23.97	48	1.05	70	14347	21.42	49	1.10	80	12471	18.62	50	1.15	99	10120	15.11	50	1.26	114	8734	13.04	50	1.35	200kW							200kW														34	53193	43.68	90	0.85	GK187 GKA187	4P								52			35011	28.75	97			1.15										57	31967	26.25			98	1.30									63	28935	23.76			99	1.40								71	25695	21.10	98	1.50								87	20873	17.14	97	1.70																																																											
104	7869	14.36	38	1.45	116	7053	12.87	36	1.15	134	6110	11.15	36	1.30	168	4861	8.87	36	1.45	110kW							160kW							20	49075	73.27	122	0.80	GK187 GKA187	4P	28	52384	53.77			103	0.90	GK187 GKA187			4P	22					44822					66.92					126					0.95					25					40569					60.57		127	1.10		28		36014	53.77		127	1.30	34	29256	43.68	127	1.55	37	26677	39.83	126	1.65	42	23905	35.69	125	1.85	52	19256	28.75	123	2.10	63	15914	23.76	121	2.50	71	14132	21.10	120	2.80	29	34099	50.91	95	0.85	37	27220	40.64	97	1.05	41	24246	36.20	97	1.25	44	22612	33.76	97	1.40	49	20174	30.12	97	1.55	59	17019	25.41	95	1.85	73	13583	20.28	94	2.20	84	11822	17.65	92	2.60	62	16055	23.97	48	1.05	70	14347	21.42	49	1.10	80	12471	18.62	50	1.15	99	10120	15.11	50	1.26	114	8734	13.04	50	1.35	200kW							200kW														34	53193	43.68	90	0.85	GK187 GKA187	4P								52			35011	28.75	97			1.15										57	31967	26.25			98	1.30									63	28935	23.76			99	1.40								71	25695	21.10	98	1.50								87	20873	17.14	97	1.70																																																																
116	7053	12.87	36	1.15	134	6110	11.15	36	1.30	168	4861	8.87	36	1.45	110kW							160kW							20	49075	73.27	122	0.80	GK187 GKA187	4P	28	52384	53.77			103	0.90	GK187 GKA187			4P	22					44822					66.92					126					0.95					25					40569					60.57		127	1.10		28		36014	53.77		127	1.30	34	29256	43.68	127	1.55	37	26677	39.83	126	1.65	42	23905	35.69	125	1.85	52	19256	28.75	123	2.10	63	15914	23.76	121	2.50	71	14132	21.10	120	2.80	29	34099	50.91	95	0.85	37	27220	40.64	97	1.05	41	24246	36.20	97	1.25	44	22612	33.76	97	1.40	49	20174	30.12	97	1.55	59	17019	25.41	95	1.85	73	13583	20.28	94	2.20	84	11822	17.65	92	2.60	62	16055	23.97	48	1.05	70	14347	21.42	49	1.10	80	12471	18.62	50	1.15	99	10120	15.11	50	1.26	114	8734	13.04	50	1.35	200kW							200kW														34	53193	43.68	90	0.85	GK187 GKA187	4P								52			35011	28.75	97			1.15										57	31967	26.25			98	1.30									63	28935	23.76			99	1.40								71	25695	21.10	98	1.50								87	20873	17.14	97	1.70																																																																					
134	6110	11.15	36	1.30	168	4861	8.87	36	1.45	110kW							160kW							20	49075	73.27	122	0.80	GK187 GKA187	4P	28	52384	53.77			103	0.90	GK187 GKA187			4P	22					44822					66.92					126					0.95					25					40569					60.57		127	1.10		28		36014	53.77		127	1.30	34	29256	43.68	127	1.55	37	26677	39.83	126	1.65	42	23905	35.69	125	1.85	52	19256	28.75	123	2.10	63	15914	23.76	121	2.50	71	14132	21.10	120	2.80	29	34099	50.91	95	0.85	37	27220	40.64	97	1.05	41	24246	36.20	97	1.25	44	22612	33.76	97	1.40	49	20174	30.12	97	1.55	59	17019	25.41	95	1.85	73	13583	20.28	94	2.20	84	11822	17.65	92	2.60	62	16055	23.97	48	1.05	70	14347	21.42	49	1.10	80	12471	18.62	50	1.15	99	10120	15.11	50	1.26	114	8734	13.04	50	1.35	200kW							200kW														34	53193	43.68	90	0.85	GK187 GKA187	4P								52			35011	28.75	97			1.15										57	31967	26.25			98	1.30									63	28935	23.76			99	1.40								71	25695	21.10	98	1.50								87	20873	17.14	97	1.70																																																																										
168	4861	8.87	36	1.45	110kW							160kW							20	49075	73.27	122	0.80	GK187 GKA187	4P	28	52384	53.77			103	0.90	GK187 GKA187			4P	22					44822					66.92					126					0.95					25					40569					60.57		127	1.10		28		36014	53.77		127	1.30	34	29256	43.68	127	1.55	37	26677	39.83	126	1.65	42	23905	35.69	125	1.85	52	19256	28.75	123	2.10	63	15914	23.76	121	2.50	71	14132	21.10	120	2.80	29	34099	50.91	95	0.85	37	27220	40.64	97	1.05	41	24246	36.20	97	1.25	44	22612	33.76	97	1.40	49	20174	30.12	97	1.55	59	17019	25.41	95	1.85	73	13583	20.28	94	2.20	84	11822	17.65	92	2.60	62	16055	23.97	48	1.05	70	14347	21.42	49	1.10	80	12471	18.62	50	1.15	99	10120	15.11	50	1.26	114	8734	13.04	50	1.35	200kW							200kW														34	53193	43.68	90	0.85	GK187 GKA187	4P								52			35011	28.75	97			1.15										57	31967	26.25			98	1.30									63	28935	23.76			99	1.40								71	25695	21.10	98	1.50								87	20873	17.14	97	1.70																																																																															
110kW							160kW																																																																																																																																																																																																																																																																																																																																																													
20	49075	73.27	122	0.80	GK187 GKA187	4P	28	52384	53.77	103	0.90	GK187 GKA187	4P																																																																																																																																																																																																																																																																																																																																																							
22	44822	66.92	126	0.95			25	40569	60.57	127	1.10			28	36014	53.77	127	1.30	34	29256	43.68	127	1.55			37	26677	39.83			126	1.65					42					23905					35.69					125					1.85		52	19256		28.75		123	2.10		63	15914	23.76	121	2.50	71	14132	21.10	120	2.80	29	34099	50.91	95	0.85	37	27220	40.64	97	1.05	41	24246	36.20	97	1.25	44	22612	33.76	97	1.40	49	20174	30.12	97	1.55	59	17019	25.41	95	1.85	73	13583	20.28	94	2.20	84	11822	17.65	92	2.60	62	16055	23.97	48	1.05	70	14347	21.42	49	1.10	80	12471	18.62	50	1.15	99	10120	15.11	50	1.26	114	8734	13.04	50	1.35	200kW							200kW														34	53193	43.68	90	0.85	GK187 GKA187	4P								52	35011	28.75	97	1.15								57	31967	26.25	98	1.30								63	28935	23.76	99			1.40										71	25695	21.10			98	1.50									87	20873	17.14			97	1.70																																																																																																																						
25	40569	60.57	127	1.10			28	36014	53.77	127	1.30			34	29256	43.68	127	1.55	37	26677	39.83	126	1.65			42	23905	35.69			125	1.85					52					19256					28.75					123		2.10	63		15914		23.76	121		2.50	71	14132	21.10	120	2.80	29	34099	50.91	95	0.85	37	27220	40.64	97	1.05	41	24246	36.20	97	1.25	44	22612	33.76	97	1.40	49	20174	30.12	97	1.55	59	17019	25.41	95	1.85	73	13583	20.28	94	2.20	84	11822	17.65	92	2.60	62	16055	23.97	48	1.05	70	14347	21.42	49	1.10	80	12471	18.62	50	1.15	99	10120	15.11	50	1.26	114	8734	13.04	50	1.35	200kW							200kW														34	53193	43.68	90	0.85	GK187 GKA187	4P										52	35011	28.75	97	1.15								57	31967	26.25	98	1.30								63	28935	23.76	99	1.40									71	25695	21.10			98	1.50									87	20873	17.14			97	1.70																																																																																																																																
28	36014	53.77	127	1.30			34	29256	43.68	127	1.55			37	26677	39.83	126	1.65	42	23905	35.69	125	1.85			52	19256	28.75			123	2.10					63					15914					23.76		121	2.50		71		14132	21.10		120	2.80	29	34099	50.91	95	0.85	37	27220	40.64	97	1.05	41	24246	36.20	97	1.25	44	22612	33.76	97	1.40	49	20174	30.12	97	1.55	59	17019	25.41	95	1.85	73	13583	20.28	94	2.20	84	11822	17.65	92	2.60	62	16055	23.97	48	1.05	70	14347	21.42	49	1.10	80	12471	18.62	50	1.15	99	10120	15.11	50	1.26	114	8734	13.04	50	1.35	200kW							200kW														34	53193	43.68	90	0.85	GK187 GKA187	4P										52	35011	28.75	97	1.15								57	31967	26.25	98	1.30								63	28935	23.76	99	1.40								71	25695	21.10	98	1.50								87			20873	17.14	97			1.70																																																																																																																																											
34	29256	43.68	127	1.55			37	26677	39.83	126	1.65			42	23905	35.69	125	1.85	52	19256	28.75	123	2.10			63	15914	23.76			121	2.50					71					14132		21.10	120		2.80		29	34099		50.91	95	0.85	37	27220	40.64	97	1.05	41	24246	36.20	97	1.25	44	22612	33.76	97	1.40	49	20174	30.12	97	1.55	59	17019	25.41	95	1.85	73	13583	20.28	94	2.20	84	11822	17.65	92	2.60	62	16055	23.97	48	1.05	70	14347	21.42	49	1.10	80	12471	18.62	50	1.15	99	10120	15.11	50	1.26	114	8734	13.04	50	1.35	200kW							200kW														34	53193	43.68	90	0.85	GK187 GKA187	4P										52	35011	28.75	97	1.15								57	31967	26.25	98			1.30								63	28935	23.76	99	1.40								71	25695	21.10	98	1.50								87	20873	17.14			97	1.70																																																																																																																																																				
37	26677	39.83	126	1.65			42	23905	35.69	125	1.85			52	19256	28.75	123	2.10	63	15914	23.76	121	2.50			71	14132	21.10			120	2.80					29		34099	50.91		95		0.85	37		27220	40.64	97	1.05	41	24246	36.20	97	1.25	44	22612	33.76	97	1.40	49	20174	30.12	97	1.55	59	17019	25.41	95	1.85	73	13583	20.28	94	2.20	84	11822	17.65	92	2.60	62	16055	23.97	48	1.05	70	14347	21.42	49	1.10	80	12471	18.62	50	1.15	99	10120	15.11	50	1.26	114	8734	13.04	50	1.35	200kW							200kW														34	53193	43.68	90	0.85	GK187 GKA187	4P										52	35011	28.75	97	1.15								57	31967	26.25	98			1.30									63	28935	23.76	99	1.40								71	25695	21.10	98	1.50								87	20873	17.14	97	1.70																																																																																																																																																														
42	23905	35.69	125	1.85			52	19256	28.75	123	2.10			63	15914	23.76	121	2.50	71	14132	21.10	120	2.80			29	34099	50.91			95	0.85		37	27220		40.64		97	1.05		41	24246	36.20	97	1.25	44	22612	33.76	97	1.40	49	20174	30.12	97	1.55	59	17019	25.41	95	1.85	73	13583	20.28	94	2.20	84	11822	17.65	92	2.60	62	16055	23.97	48	1.05	70	14347	21.42	49	1.10	80	12471	18.62	50	1.15	99	10120	15.11	50	1.26	114	8734	13.04	50	1.35	200kW							200kW														34	53193	43.68	90	0.85	GK187 GKA187	4P										52	35011	28.75	97	1.15								57	31967	26.25	98			1.30									63	28935	23.76	99	1.40								71	25695	21.10	98	1.50								87	20873	17.14	97	1.70																																																																																																																																																																							
52	19256	28.75	123	2.10			63	15914	23.76	121	2.50			71	14132	21.10	120	2.80	29	34099	50.91	95	0.85			37	27220	40.64	97	1.05	41	24246		36.20	97		1.25	44	22612	33.76	97	1.40	49	20174	30.12	97	1.55	59	17019	25.41	95	1.85	73	13583	20.28	94	2.20	84	11822	17.65	92	2.60	62	16055	23.97	48	1.05	70	14347	21.42	49	1.10	80	12471	18.62	50	1.15	99	10120	15.11	50	1.26	114	8734	13.04	50	1.35	200kW							200kW														34	53193	43.68	90	0.85	GK187 GKA187	4P										52	35011	28.75	97	1.15								57	31967	26.25	98			1.30									63	28935	23.76	99	1.40								71	25695	21.10	98			1.50								87	20873	17.14	97	1.70																																																																																																																																																																														
63	15914	23.76	121	2.50			71	14132	21.10	120	2.80			29	34099	50.91	95	0.85	37	27220	40.64	97	1.05	41	24246	36.20	97	1.25	44	22612	33.76	97	1.40	49	20174	30.12	97	1.55	59	17019	25.41	95	1.85	73	13583	20.28	94	2.20	84	11822	17.65	92	2.60	62	16055	23.97	48	1.05	70	14347	21.42	49	1.10	80	12471	18.62	50	1.15	99	10120	15.11	50	1.26	114	8734	13.04	50	1.35	200kW							200kW														34	53193	43.68	90	0.85	GK187 GKA187	4P										52	35011	28.75	97	1.15								57	31967	26.25	98			1.30									63	28935	23.76	99	1.40								71	25695	21.10	98			1.50									87	20873	17.14	97	1.70																																																																																																																																																																																						
71	14132	21.10	120	2.80			29	34099	50.91	95	0.85			37	27220	40.64	97	1.05	41	24246	36.20	97	1.25	44	22612	33.76	97	1.40	49	20174	30.12	97	1.55	59	17019	25.41	95	1.85	73	13583	20.28	94	2.20	84	11822	17.65	92	2.60	62	16055	23.97	48	1.05	70	14347	21.42	49	1.10	80	12471	18.62	50	1.15	99	10120	15.11	50	1.26	114	8734	13.04	50	1.35	200kW							200kW														34	53193	43.68	90	0.85	GK187 GKA187	4P								52	35011	28.75	97	1.15												57	31967	26.25	98	1.30								63	28935	23.76	99			1.40									71	25695	21.10	98	1.50								87	20873	17.14	97			1.70																																																																																																																																																																																										
29	34099	50.91	95	0.85	37	27220	40.64	97	1.05	41	24246	36.20	97	1.25	44	22612	33.76	97	1.40	49	20174	30.12	97	1.55	59	17019	25.41	95	1.85	73	13583	20.28	94	2.20	84	11822	17.65	92	2.60	62	16055	23.97	48	1.05	70	14347	21.42	49	1.10	80	12471	18.62	50	1.15	99	10120	15.11	50	1.26	114	8734	13.04	50	1.35	200kW							200kW														34	53193	43.68	90	0.85	GK187 GKA187	4P										52	35011	28.75			97	1.15								57	31967	26.25	98	1.30								63	28935	23.76	99			1.40									71	25695	21.10	98	1.50								87	20873	17.14	97			1.70																																																																																																																																																																																																			
37	27220	40.64	97	1.05	41	24246	36.20	97	1.25	44	22612	33.76	97	1.40	49	20174	30.12	97	1.55	59	17019	25.41	95	1.85	73	13583	20.28	94	2.20	84	11822	17.65	92	2.60	62	16055	23.97	48	1.05	70	14347	21.42	49	1.10	80	12471	18.62	50	1.15	99	10120	15.11	50	1.26	114	8734	13.04	50	1.35	200kW							200kW														34	53193	43.68	90	0.85	GK187 GKA187	4P								52	35011	28.75	97	1.15										57	31967	26.25	98	1.30												63	28935	23.76	99	1.40								71	25695	21.10	98			1.50									87	20873	17.14	97	1.70																																																																																																																																																																																																								
41	24246	36.20	97	1.25	44	22612	33.76	97	1.40	49	20174	30.12	97	1.55	59	17019	25.41	95	1.85	73	13583	20.28	94	2.20	84	11822	17.65	92	2.60	62	16055	23.97	48	1.05	70	14347	21.42	49	1.10	80	12471	18.62	50	1.15	99	10120	15.11	50	1.26	114	8734	13.04	50	1.35	200kW							200kW														34	53193	43.68	90	0.85	GK187 GKA187	4P								52			35011	28.75	97	1.15								57			31967	26.25	98	1.30								63	28935	23.76	99	1.40												71	25695	21.10	98	1.50								87	20873	17.14	97			1.70																																																																																																																																																																																																												
44	22612	33.76	97	1.40	49	20174	30.12	97	1.55	59	17019	25.41	95	1.85	73	13583	20.28	94	2.20	84	11822	17.65	92	2.60	62	16055	23.97	48	1.05	70	14347	21.42	49	1.10	80	12471	18.62	50	1.15	99	10120	15.11	50	1.26	114	8734	13.04	50	1.35	200kW							200kW														34	53193	43.68	90	0.85	GK187 GKA187	4P								52			35011	28.75	97			1.15									57	31967	26.25			98	1.30								63	28935	23.76	99	1.40								71	25695	21.10	98			1.50									87	20873	17.14	97	1.70																																																																																																																																																																																																																	
49	20174	30.12	97	1.55	59	17019	25.41	95	1.85	73	13583	20.28	94	2.20	84	11822	17.65	92	2.60	62	16055	23.97	48	1.05	70	14347	21.42	49	1.10	80	12471	18.62	50	1.15	99	10120	15.11	50	1.26	114	8734	13.04	50	1.35	200kW							200kW														34	53193	43.68	90	0.85	GK187 GKA187	4P								52			35011	28.75	97			1.15								57	31967	26.25	98			1.30								63	28935	23.76	99			1.40									71	25695	21.10	98	1.50								87	20873	17.14	97	1.70																																																																																																																																																																																																																							
59	17019	25.41	95	1.85	73	13583	20.28	94	2.20	84	11822	17.65	92	2.60	62	16055	23.97	48	1.05	70	14347	21.42	49	1.10	80	12471	18.62	50	1.15	99	10120	15.11	50	1.26	114	8734	13.04	50	1.35	200kW							200kW														34	53193	43.68	90	0.85	GK187 GKA187	4P								52			35011	28.75	97			1.15										57	31967	26.25	98	1.30										63	28935	23.76	99	1.40								71	25695	21.10	98			1.50								87	20873	17.14	97	1.70																																																																																																																																																																																																																											
73	13583	20.28	94	2.20	84	11822	17.65	92	2.60	62	16055	23.97	48	1.05	70	14347	21.42	49	1.10	80	12471	18.62	50	1.15	99	10120	15.11	50	1.26	114	8734	13.04	50	1.35	200kW							200kW														34	53193	43.68	90	0.85	GK187 GKA187	4P								52			35011	28.75	97			1.15										57	31967	26.25			98	1.30								63	28935	23.76			99	1.40								71	25695	21.10	98	1.50								87	20873	17.14	97	1.70																																																																																																																																																																																																																																
84	11822	17.65	92	2.60	62	16055	23.97	48	1.05	70	14347	21.42	49	1.10	80	12471	18.62	50	1.15	99	10120	15.11	50	1.26	114	8734	13.04	50	1.35	200kW							200kW														34	53193	43.68	90	0.85	GK187 GKA187	4P								52			35011	28.75	97			1.15										57	31967	26.25			98	1.30								63	28935	23.76			99	1.40								71	25695	21.10	98	1.50								87	20873	17.14	97	1.70																																																																																																																																																																																																																																					
62	16055	23.97	48	1.05	70	14347	21.42	49	1.10	80	12471	18.62	50	1.15	99	10120	15.11	50	1.26	114	8734	13.04	50	1.35	200kW							200kW														34	53193	43.68	90	0.85	GK187 GKA187	4P								52			35011	28.75	97			1.15										57	31967	26.25			98	1.30									63	28935	23.76	99	1.40								71	25695	21.10	98	1.50								87	20873	17.14	97	1.70																																																																																																																																																																																																																																											
70	14347	21.42	49	1.10	80	12471	18.62	50	1.15	99	10120	15.11	50	1.26	114	8734	13.04	50	1.35	200kW							200kW														34	53193	43.68	90	0.85	GK187 GKA187	4P								52			35011	28.75	97			1.15										57	31967	26.25			98	1.30									63	28935	23.76			99	1.40								71	25695	21.10	98	1.50								87	20873	17.14	97	1.70																																																																																																																																																																																																																																														
80	12471	18.62	50	1.15	99	10120	15.11	50	1.26	114	8734	13.04	50	1.35	200kW							200kW														34	53193	43.68	90	0.85	GK187 GKA187	4P								52			35011	28.75	97			1.15										57	31967	26.25			98	1.30									63	28935	23.76			99	1.40								71	25695	21.10	98	1.50								87	20873	17.14	97	1.70																																																																																																																																																																																																																																																			
99	10120	15.11	50	1.26	114	8734	13.04	50	1.35	200kW							200kW														34	53193	43.68	90	0.85	GK187 GKA187	4P								52			35011	28.75	97			1.15										57	31967	26.25			98	1.30									63	28935	23.76			99	1.40								71	25695	21.10	98	1.50								87	20873	17.14	97	1.70																																																																																																																																																																																																																																																								
114	8734	13.04	50	1.35	200kW							200kW														34	53193	43.68	90	0.85	GK187 GKA187	4P								52			35011	28.75	97			1.15										57	31967	26.25			98	1.30									63	28935	23.76			99	1.40								71	25695	21.10	98	1.50								87	20873	17.14	97	1.70																																																																																																																																																																																																																																																													
200kW							200kW																																																																																																																																																																																																																																																																																																																																																													
							34	53193	43.68	90	0.85	GK187 GKA187	4P																																																																																																																																																																																																																																																																																																																																																							
							52	35011	28.75	97	1.15																																																																																																																																																																																																																																																																																																																																																									
							57	31967	26.25	98	1.30																																																																																																																																																																																																																																																																																																																																																									
							63	28935	23.76	99	1.40																																																																																																																																																																																																																																																																																																																																																									
							71	25695	21.10	98	1.50																																																																																																																																																																																																																																																																																																																																																									
							87	20873	17.14	97	1.70																																																																																																																																																																																																																																																																																																																																																									

选型参数表
(恒扭矩)
Selection Table
(Constant Torque)

Mamax [Nm]	n _a [r/min]	i	F _{ra} [kN]	机型号 Type size	P [kW]/4P	Mamax [Nm]	n _a [r/min]	i	F _{ra} [kN]	机型号 Type size	P [kW]/4P		
820	0.18	7259	10			1550	1.4	925	15	GK77R37	0.37		
	0.20	6462	10				1.6	817	15	GKF77R37			
	0.23	5648	10				1.9	710	15	GKA77R37			
	0.27	4846	10	GK67R37						GKAF77R37			
	0.30	4329	10	GKF67R37	0.12		2.2	623	15	GK77R37	0.55		
	0.35	3750	10	GKA67R37				2.5	553	15		GKF77R37	
	0.40	3315	10	GKAF67R37				2.9	485	15		GKA77R37	
	0.45	2917	10									GKAF77R37	
	0.52	2532	10				3.2	428	15	GK77R37	0.75		
	0.58	2244	10							GKF77R37			
	0.66	1981	10				3.8	368	15	GKA77R37			
										GKAF77R37			
	0.75	1739	10	GK67R37	0.12					15	GK77R37	1.1	
	0.85	1536	10	GKF67R37				4.3	328	15	GKF77R37		
	0.97	1351	10	GKA67R37				4.8	291	15	GKA77R37		
	1.1	1171	10	GKAF67R37			5.6	252	15	GKAF77R37			
	1.3	1034	10	GK67R37	0.18		2700	0.09	14828	26			0.12
	1.5	903	10	GKF67R37					0.10	13168	26		
	1.7	793	10	GKA67R37					0.11	11736	26		
				GKAF67R37					0.13	10217	26	GK87R57	
1.9	697	10	GK67R37	0.25	0.14	9073		26	GKF87R57				
2.2	613	10	GKF67R37			0.17		7854	26	GKA87R57			
2.5	542	10	GKA67R37			0.19		6832	26	GKAF87R57			
			GKAF67R37			0.22		5930	26				
2.8	471	10	GK67R37	0.37	0.25	5239		26					
			GKF67R37			0.29		4562	26				
3.2	420	10	GKA67R37			0.32		4037	26	GK87R57			
			GKAF67R37			0.36		3609	26	GKF87R57			
3.9	361	10	GK67R37	0.55	0.42	3106		26	GKA87R57				
4.3	323	10	GKF67R37			0.48		2728	26	GKAF87R57			
5.0	279	10	GKA67R37							GK87R57			
5.7	246	10	GKAF67R37			0.56		2371	26	GKF87R57			
6.4	217	10	GK67R37	0.75					GKA87R57				
			GKF67R37							GKAF87R57			
			GKA67R37			0.64		2086	26	GK87R57			
7.3	191	10	GKAF67R37			0.72		1854	26	GKF87R57			
1550	0.09	15336	15						GKA87R57	0.25			
	0.09	14066	15						GKAF87R57				
	0.11	11976	15						GK87R57				
	0.13	10234	15			0.80	1658	26	GKF87R57				
	0.15	8824	15			0.94	1415	26	GKA87R57	0.37			
	0.17	7540	15	GK77R37		1.08	1229	26	GKAF87R57				
	0.20	6617	15	GKF77R37	0.12				GK87R57				
	0.23	5784	15	GKA77R37			1.3	1078	26		GKF87R57		
	0.26	5097	15	GKAF77R37			1.5	951	26	GKA87R57			
	0.29	4497	15				1.7	837	26	GKAF87R57			
	0.33	3968	15			1.9	726	26	GK87R57	0.55			
	0.38	3490	15						GKF87R57				
	0.45	2906	15			2.2	638	26	GKA87R57				
	0.48	2721	15						GKAF87R57				
									GK87R57	0.75			
	0.55	2374	15	GK77R37		2.5	562	26	GKF87R57				
				GKF77R37	0.18	3.0	474	26	GKA87R57				
				GKA77R37			3.3	426	26		GKAF87R57		
				GKAF77R37						GK87R57			
	0.64	2053	15	GK77R37		0.18	3.8	373	26	GKF87R57			
0.74	1775	15	GKF77R37						GKA87R57				
0.86	1516	15	GKA77R37		4.2		330	26	GKAF87R57				
			GKAF77R37						GK87R57				
					4.9	294	26	GKF87R57	1.1				
1.0	1390	15	GK77R37	0.25	5.7	250	26	GKA87R57					
1.1	1220	15	GKF77R37			6.1	236	26		GKAF87R57			
1.3	1054	15	GKA77R37			7.1	201	26		GK87R57			
			GKAF77R37						GKF87R57				
								GKA87R57	2.2				
								GKAF87R57					

选型参数表
(恒扭矩)
Selection Table
(Constant Torque)

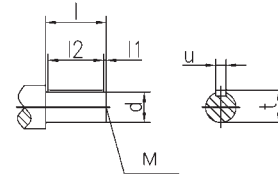
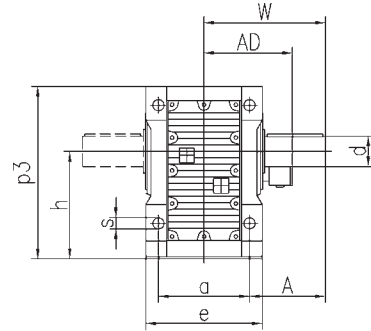
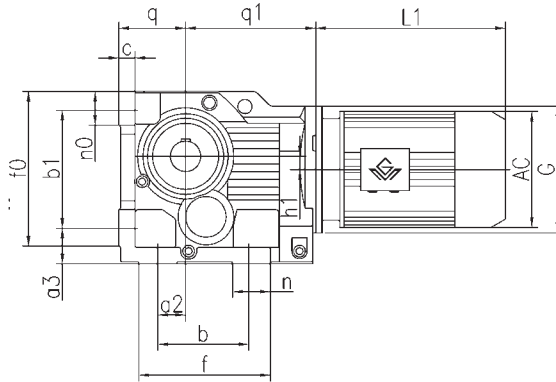
Mamax [Nm]	n _a [r/min]	i	F _{ra} [kN]	机型号 Type size	P [kW]/4P	Mamax [Nm]	n _a [r/min]	i	F _{ra} [kN]	机型号 Type size	P [kW]/4P		
4300	0.07	18091	38		0.12	8000				GK107R77	0.18		
	0.08	16666	38				0.12	10678	62	GKF107R77			
	0.09	14896	38				0.14	9524	62	GKA107R77			
	0.10	13183	38	GK97R57			0.16	8328	62	GKAF107R77			
	0.11	11677	38	GKF97R57						GK107R77			
	0.13	10317	38	GKA97R57				0.18	7269	62		GKF107R77	0.25
	0.14	9083	38	GKAF97R57			0.22	6184	62	GKA107R77			
	0.16	8055	38				0.23	5662	62	GKAF107R77			
	0.19	6969	38							GK107R77			
	0.22	6027	38	GK97R57			0.18	0.26	5138	62		GKF107R77	0.37
	0.24	5392	38	GKF97R57				0.31	4360	62		GKA107R77	
	0.28	4669	38	GKA97R57				0.35	3811	62		GKAF107R77	
	0.32	4081	38	GKAF97R57								GK107R77	
	0.37	3583	38	GK97R57			0.25	0.41	3358	62		GKF107R77	0.55
				GKF97R57				0.47	2977	62		GKA107R77	
	0.43	3108	38	GKA97R57				0.54	2598	62		GKAF107R77	
				GKAF97R57						GK107R77			
			38	GK97R57			0.37	0.61	2286	62		GKF107R77	0.75
	0.48	2756	38	GKF97R57				0.72	1939	62		GKA107R77	
			38	GKA97R57						GKAF107R77			
			38	GKAF97R57						GK107R77			
	0.55	2419	38	GK97R57			0.37	0.82	1713	62		GKF107R77	1.1
				GKF97R57				0.90	1555	62		GKA107R77	
	0.63	2123	38	GKA97R57				1.0	1336	62		GKAF107R77	
			GKAF97R57				GK107R77						
0.75	1856	38	GK97R57	0.55	1.2	1166	62	GKF107R77	1.5				
0.86	1625	38	GKF97R57		1.4	1030	62	GKA107R77					
0.97	1430	38	GKA97R57		1.5	904	62	GKAF107R77					
1.1	1261	38	GKAF97R57					GK107R77					
1.3	1102	38	GK97R57	0.75	1.8	793	62	GKF107R77	2.2				
			GKF97R57		2.1	696	62	GKA107R77					
1.5	957	38	GKA97R57		2.3	614	62	GKAF107R77					
			GKAF97R57				GK107R77						
1.6	855	38	GK97R57	1.1	2.7	522	62	GKF107R77	3.0				
1.9	743	38	GKF97R57		3.1	461	62	GKA107R77					
2.2	651	38	GKA97R57					GKAF107R77					
			GKAF97R57					GK107R77					
2.4	573	38	GK97R57	1.5	3.5	408	62	GKF107R77	4.0				
			GKF97R57		4.0	364	62	GKA107R77					
2.8	504	38	GKA97R57					GKAF107R77					
			GKAF97R57				GK107R77						
3.3	437	38	GK97R57	2.2	4.5	318	62	GKF107R77	5.5				
3.7	382	38	GKF97R57		5.0	286	62	GKA107R77					
4.2	342	38	GKA97R57		5.7	251	62	GKAF107R77					
			GKAF97R57					GK107R77					
4.7	305	38	GK97R57	3.0	13000	0.08	17396	75	GK127R77	0.18			
5.5	258	38	GKF97R57		0.08	15859	75	GKF127R77					
6.2	232	38	GKA97R57		0.09	14843	75	GKA127R77					
			GKAF97R57		0.11	12331	75	GKAF127R77					
			GK97R57				GK127R77						
7.2	199	38	GKF97R57	4.0	0.12	10819	75	GKF127R77	0.25				
			GKA97R57		0.14	9801	75	GKA127R77					
			GKAF97R57					GKAF127R77					
			GKAF97R57					GK127R77					
8000	0.09	14311	62	GK107R77	0.12	0.16	8366	75	GKF127R77	0.37			
				GKF107R77		0.18	7329	75	GKA127R77				
0.11	12211	62	GKA107R77	0.21		6430	75	GKAF127R77					
			GKAF107R77					GK127R77					

选型参数表
(恒扭矩)
Selection Table
(Constant Torque)

Mamax [Nm]	n _a [r/min]	i	F _{ra} [kN]	机型号 Type size	P [kW]/4P	Mamax [Nm]	n _a [r/min]	i	F _{ra} [kN]	机型号 Type size	P [kW]/4P
13000	0.24	5793	75	GK127R77	0.55	18000	0.12	11431	107	GK157R97	0.55
	0.28	4924	75	GKF127R77			0.14	10219	107	GKF157R97	
	0.32	4332	75	GKA127R77			0.16	8885	107	GKA157R97	
	0.36	3854	75	GKAF127R77			0.18	7777	107	GKAF157R97	
	0.42	3282	75	GK127R77	0.75		0.27	5102	107		
				GKF127R77			0.31	4561	107	GK157R97	
	0.47	2982	75	GKA127R77			0.35	4001	107	GKF157R97	
				GKAF127R77	0.39		3578	107	GKA157R97		
	0.54	2584	75	GK127R77	1.1		0.45	3110	107	GKAF157R97	
				GKF127R77			0.53	2625	107	GK157R97	
	0.62	2248	75	GKA127R77	1.5					GKF157R97	
				GKAF127R77			0.60	2346	107	GKA157R97	
				GK127R77						GKAF157R97	
	0.73	1909	75	GKF127R77	1.1		0.70	2040	107	GK157R97	
				GKA127R77						GKF157R97	
				GKAF127R77	1.5					GKA157R97	
	0.80	1741	75	GK127R77			0.78	1824	107	GKAF157R97	
				GKF127R77			0.86	1668	107	GK157R97	
				GKA127R77	2.2					GKF157R97	
	0.92	1527	75	GKAF127R77			1.04	1373	107	GKA157R97	
			GK127R77				GKAF157R97				
1.1	1335	75	GKF127R77	2.2	1.2	1236	107	GK157R97			
			GKA127R77					GKF157R97			
1.2	1171	75	GKA127R77	3.0				GKA157R97			
			GKAF127R77		1.3	1105	107	GKAF157R97			
			GK127R77					GK157R97			
1.6	877	75	GKF127R77	3.0	1.5	960	107	GKF157R97			
			GKA127R77					GKA157R97			
1.8	783	75	GKA127R77	4.0	1.7	870	107	GKA157R97			
			GKAF127R77		1.9	760	107	GKAF157R97			
2.0	698	75	GKAF127R77					GK157R97			
			GK127R77	4.0	2.2	665	107	GKF157R97			
2.4	605	75	GKF127R77					GKA157R97			
			GKA127R77	5.5				GKAF157R97			
2.6	548	75	GKAF127R77		2.5	570	107	GKAF157R97			
			GK127R77					GK157R97			
3.0	473	75	GKF127R77	5.5	2.8	510	107	GKF157R97			
			GKA127R77					GKA157R97			
3.5	410	75	GKAF127R77	7.5	3.3	437	107	GKAF157R97			
			GK127R87					GK157R97			
			GKF127R87		3.8	381	107	GKF157R97			
2.7	541	75	GKA127R87	4.0				GKA157R97			
			GKAF127R87		4.2	340	107	GKAF157R97			
			GK127R87	5.5				GK157R97			
3.0	477	75	GKF127R87		5.0	293	107	GKF157R97			
			GKA127R87					GKA157R97			
3.4	423	75	GKAF127R87	7.5				GKAF157R97			
			GK127R87		3.7	392	107	GK157R107			
3.9	369	75	GKF127R87	7.5				GKF157R107			
			GKA127R87		4.4	331	107	GKA157R107			
4.3	333	75	GKA127R87					GKAF157R107			
			GKAF127R87	7.5				GK157R107			
5.0	289	75	GKAF127R87		4.8	303	107	GKF157R107			
			GK127R87				GKA157R107				
5.7	254	75	GKF127R87	7.5				GKAF157R107			
			GKA127R87		5.7	258	107	GK157R107			
			GKAF127R87		6.2	235	107	GKF157R107			
18000	0.08	17778	107	GK157R97	0.55	6.8	216	107	GKA157R107		
	0.09	15892	107	GKF157R97					GKAF157R107		
	0.09	14803	107	GKA157R97					GK157R107		
	0.11	13233	107	GKAF157R97					GKF157R107		

选型参数表
(恒扭矩)
Selection Table
(Constant Torque)

Mamax [Nm]	n_a [r/min]	i	F_{ra} [kN]	机型号 Type size	P [kW]/4P	Mamax [Nm]	n_a [r/min]	i	F_{ra} [kN]	机型号 Type size	P [kW]/4P	
32000	0.07	19598	135		0.55	50000	0.05	29171	171		0.55	
	0.08	17297	135					0.06	24289	171		GK187R97
	0.09	14751	135	GK167R97				0.07	21774	171		GKA187R97
	0.11	13019	135	GKA167R97				0.08	17118	171		
	0.12	11500	135					0.09	15181	171		
	0.14	10199	135					0.11	12761	171		GK187R97
	0.16	8573	135	GK167R97 GKA167R97	0.75		0.12	11727	171	GKA187R97		0.75
	0.22	6453	135	GK167R97	1.1		0.13	10414	171			
	0.27	5266	135	GKA167R97			0.15	9311	171	GK187R97		
	0.30	4708	135	GK167R97	1.5		0.17	8372	171	GKA187R97		1.1
	0.35	4052	135	GKA167R97			0.19	7266	171			
	0.43	3320	135	GK167R97	2.2		0.21	6565	171	GK187R97		
	0.52	2709	135	GKA167R97			0.23	6033	171	GKA187R97		1.5
	0.63	2249	135	GK167R97	3		0.26	5358	171			
	0.65	2168	135	GKA167R97			0.30	4790	171	GK187R97		
	0.85	1693	135	GK167R97	4		0.33	4307	171	GKA187R97		2.2
	1.0	1384	135	GKA167R97			0.37	3806	171			
	1.1	1274	135	GK167R97	5.5		0.44	3227	171	GK187R97		
	1.3	1094	135	GKA167R97			0.52	2737	171	GKA187R97		3
	1.6	929	135	GK167R97	7.5		0.64	2252	171	GK187R97		
	1.7	838	135	GKA167R97			0.71	2028	171	GKA187R97		4
	1.9	744	135		11		0.78	1836	171			
	2.6	551	135	GK167R97			0.88	1628	171	GK187R97		
	3.1	473	135	GKA167R97	15		1.1	1326	171	GKA187R97		
	3.5	420	135	GK167R97			1.2	1247	171	GK187R97		7.5
	4.0	362	135	GKA167R97	18.5		1.3	1073	171	GKA187R97		
4.9	300	135	GK167R107 GKA167R107	2.4		610	171	GK187R97	15			
5.6	262	135	GK167R107	22	2.6	558	171	GKA187R97				
6.1	241	135	GKA167R107		3.1	473	171	GK187R97 GKA187R97	18.5			
7.0	211	135	GK167R107	30	1.8	835	171	GK187R107 GKA187R107	11			
7.6	194	135	GKA167R107		2.0	728	171	GK187R107	15			
8.3	178	135		37	2.5	592	171	GKA187R107				
9.8	151	135	GK167R107 GKA167R107		3.3	450	171	GK187R107	18.5			
11.6	128	135	GK167R107	45	3.7	393	171	GKA187R107				
13.2	112	135	GKA167R107		4.1	355	171	GK187R107 GKA187R107	30			
					6.6	226	171	GK187R107 GKA187R107	37			
					7.8	191	171	GK187R107	45			
					8.9	167	171	GKA187R107				
					10.5	141	171					

GK37-157
安装结构尺寸
GK37-157
Mounting Dimensional Description


规格 Specification	a	a ₂	b ₁	q ₁	s	d	l ₁	u	w	e	c	f ₀	n	G	电机尺寸 Motor Size		
	b	h	q	h ₁	a ₃	l	l ₂	t	A	p ₃	n ₀	f	M		AC	AD	L1
GK37	100 110	28 100 _{-0.5}	115 63 _{-0.5}	139 8.5	Φ 11 32	Φ 25k6 50	5 40	8 28	110 60	120 165	16 37	150 143	38 M10	Φ 120	见附录 A-2 Please see appendix A-2		
GK47	120 130	35 112 _{-0.5}	130 71 _{-0.5}	166 7.2	Φ 11 37	Φ 30k6 60	3.5 50	8 33	135 75	145 185	18 37	170 162	32 M10	Φ 160			
GK57	130 130	30 132 _{-0.5}	150 80 _{-0.5}	173 13.1	Φ 13.5 45	Φ 35k6 70	7 56	10 38	153 88	157 217	21 43	190 172	40 M12	Φ 160			
GK67	140 120	30 140 _{-0.5}	160 90 _{-0.5}	179 20	Φ 13.5 45	Φ 40k6 80	5 70	12 43	171 101	170 228	24 43	203 170	45 M16	Φ 160			
GK77	165 150	40 180 _{-0.5}	200 112 _{-0.5}	202 31.3	Φ 17.5 55	Φ 50k6 100	10 80	14 53.5	206 123.5	200 288	27 55	263 208	55 M16	Φ 200			
GK87	180 180	55 212 _{-0.5}	233 132 _{-0.5}	257 25.9	Φ 22 70	Φ 60m6 120	5 110	18 64	240 150	230 340	32 67	305 260	75 M20	Φ 250			
GK97	240 240	75 265 ₋₁	295 160 _{-0.5}	277 32.3	Φ 26 75	Φ 70m6 140	7.5 125	20 74.5	291 171	290 417	36 82	372 294	60 M20	Φ 300			
GK107	270 280	95 315 ₋₁	360 200 _{-0.5}	341 52	Φ 33 95	Φ 90m6 170	5 160	25 95	347 212	340 503	40 98	448 380	100 M24	Φ 350			
GK127	330 350	115 375 ₋₁	420 225 _{-0.5}	390 53	Φ 39 110	Φ 110m6 210	15 180	28 116	418 253	400 592	45 111	526 440	100 M24	Φ 450			
GK157	420 380	140 450 ₋₁	500 280 ₋₁	426 71.7	Φ 39 130	Φ 120m6 210	5 200	32 127	457 247	500 705	50 130	634 480	100 M24	Φ 550			

注:电机需方配或配特殊电机时需加联接法兰(见附录 D)

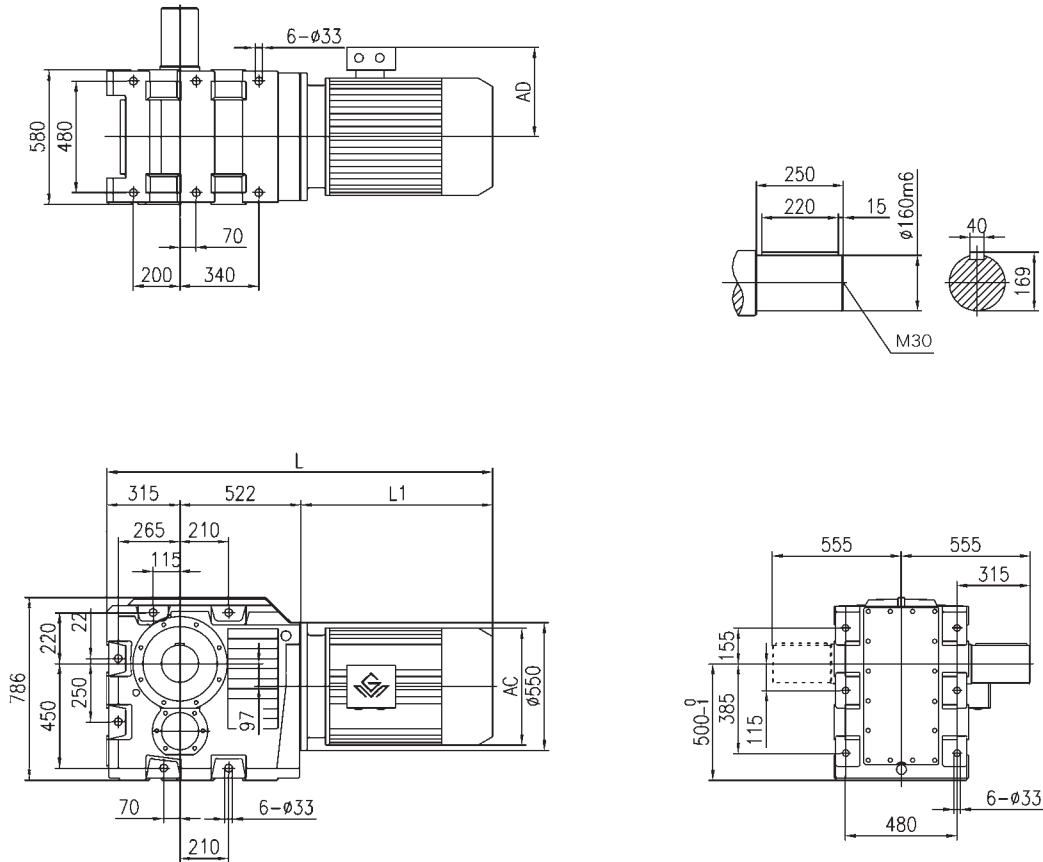
Note: When equipping the user's motor or the special one, the flange is required to connected.(Please see appendix D)

GK167

安装结构尺寸

GK167

Mounting Dimensional Description



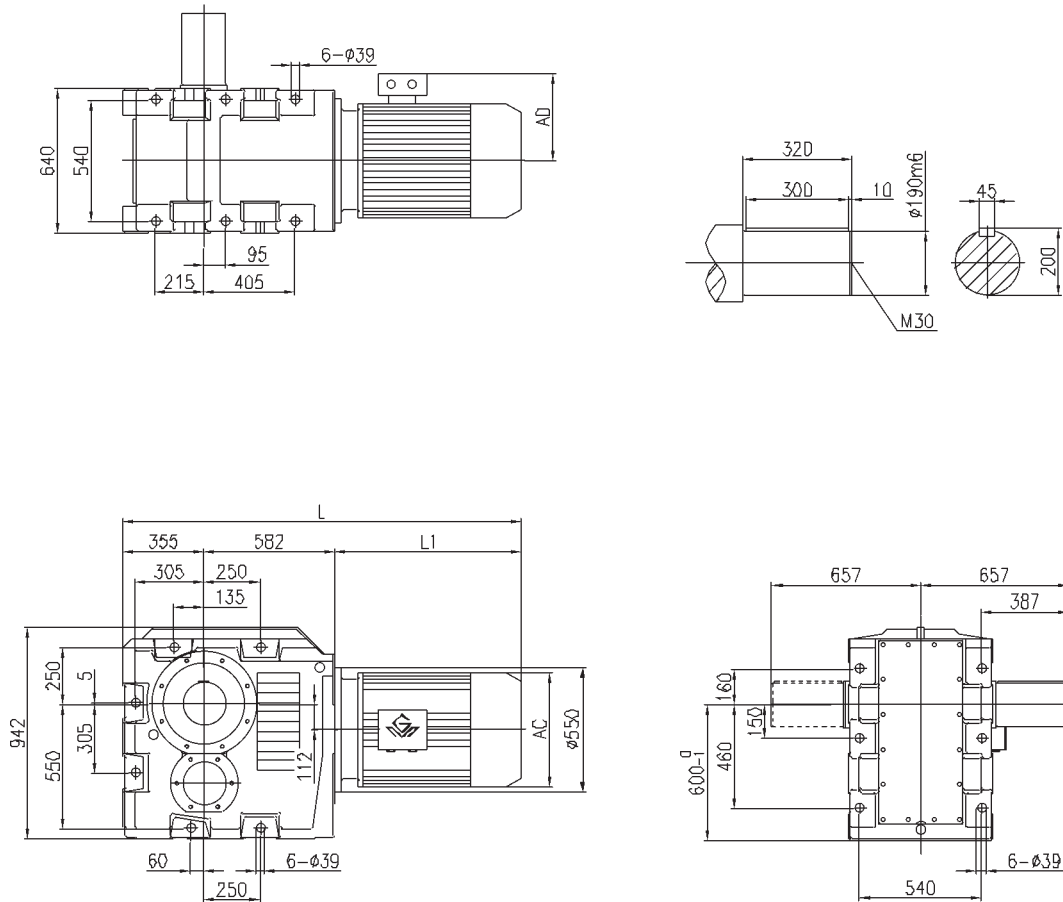
电机机座号 Motor fram size	160M	160L	180M	180L	200	225S	225M	250M	280S	280M	315S	315M	315L
AC	330	330	380	380	420	470	470	510	580	580	645	645	645
AD	255	255	280	280	305	335	335	370	410	410	530	530	576
L1	505	560	590	630	660	675	705	770	845	895	1100	1130	1310
L	1342	1397	1427	1467	1497	1512	1542	1607	1682	1732	1937	1967	2147

注:电机需方配或配特殊电机时需加联接法兰(见附录 D)

Note: When equipping the user's motor or the special one, the flange is required to connected.(Please see appendix D)

GK187
安装结构尺寸

GK187
Mounting Dimensional Description



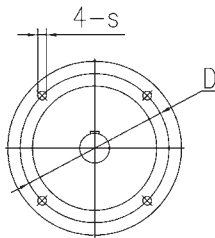
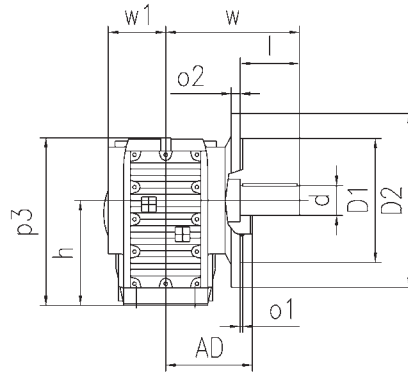
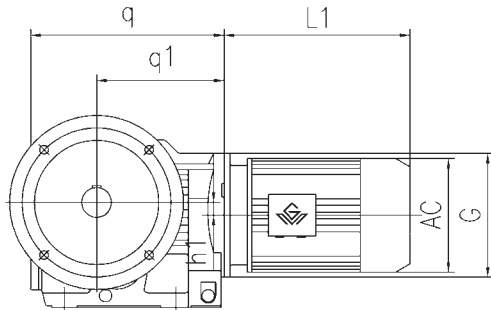
电机机座号 Motor fram size	160L	180M	180L	200	225S	225M	250M	280S	280M	315S	315M	315L
AC	330	380	380	420	470	470	510	580	580	645	645	645
AD	255	280	280	305	335	335	370	410	410	530	530	576
L1	560	590	630	660	675	705	770	845	895	1100	1130	1310
L	1497	1527	1567	1597	1612	1642	1707	1782	1832	2037	2067	2247

注:电机需方配或配特殊电机时需加联接法兰(见附录 D)

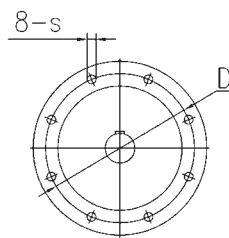
Note: When equipping the user's motor or the special one, the flange is required to connected.(Please see appendix D)

GKF37-157
安装结构尺寸

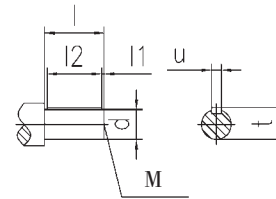
GKF37-157
Mounting Dimensional Description



GKF37-87



GKF97-157



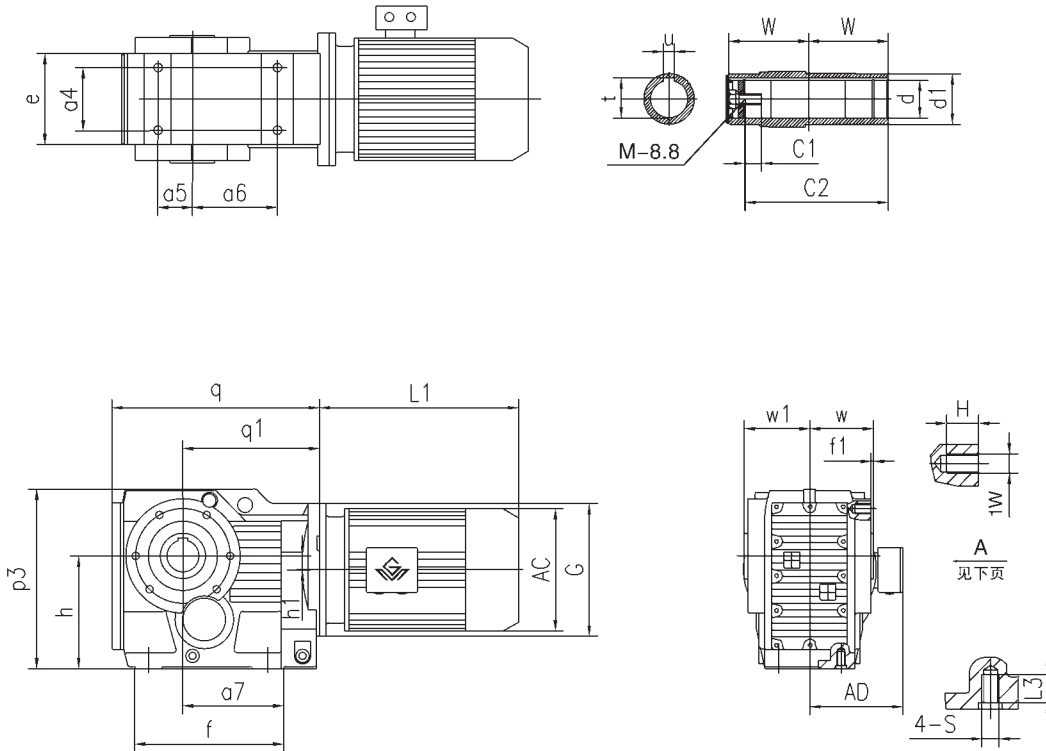
规格 Specification	s o ₂	q w	q ₁ w ₁	h ₁ l	D l ₁	D ₁ l ₂	D ₂ d	h M	p ₃ u	o ₁ t	G	电机尺寸 Motor Size			
												AC	AD	L1	
GKF37	Φ 9 10	210 134	139 57.5	8.5 50	Φ 130 5	Φ 110j6 40	Φ 160 Φ 25k6	100 ^{-0.5} M10	164 8	3.5 28	Φ 120	见附录 A-2 Please see appendix A-2			
GKF47	Φ 11 10	243 160	166 72	7.2 60	Φ 165 3.5	Φ 130j6 50	Φ 200 Φ 30k6	112 ^{-0.5} M10	185 8	3.5 33	Φ 160				
GKF57	Φ 13.5 15	269 176.5	173 80	13.1 70	Φ 215 7	Φ 180j6 56	Φ 250 Φ 35k6	132 ^{-0.5} M12	215 10	4 38	Φ 160				
GKF67	Φ 13.5 15	274 193	179 86.5	20 80	Φ 215 5	Φ 180j6 70	Φ 250 Φ 40k6	140 ^{-0.5} M16	226 12	4 43	Φ 160				
GKF77	Φ 13.5 16	312 242	202 101	31.3 100	Φ 265 10	Φ 230j6 80	Φ 300 Φ 50k6	180 ^{-0.5} M16	286 14	4 53.5	Φ 200				
GKF87	Φ 17.5 18	390 270	257 116	25.9 120	Φ 300 5	Φ 250h6 110	Φ 350 Φ 60m6	212 ^{-0.5} M20	338 18	5 64	Φ 250				
GKF97	Φ 17.5 22	435 332	277 171	32.3 140	Φ 400 7.5	Φ 350h6 125	Φ 450 Φ 70m6	265 ⁻¹ M20	414 20	5 74.5	Φ 300				
GKF107	Φ 17.5 22	537 386	341 175	52 170	Φ 400 5	Φ 350h6 160	Φ 450 Φ 90m6	315 ⁻¹ M24	500 25	5 95	Φ 350				
GKF127	Φ 17.5 25	615 466	390 203	53 210	Φ 500 15	Φ 450h6 180	Φ 550 Φ 110m6	375 ⁻¹ M24	592 28	5 116	Φ 450				
GKF157	Φ 22 28	706 520	426 253	71.7 210	Φ 600 5	Φ 550h6 200	Φ 660 Φ 120m6	450 ⁻¹ M24	705 32	6 127	Φ 550				

注:电机需方配或配特殊电机时需加联接法兰(见附录 D)

Note: When equipping the user's motor or the special one, the flange is required to connected.(Please see appendix D)

GKA37-107
安装结构尺寸

GKA37-107
Mounting Dimensional Description



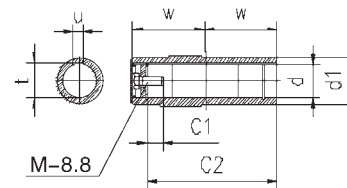
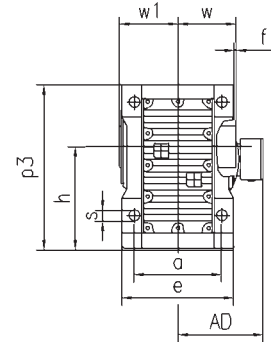
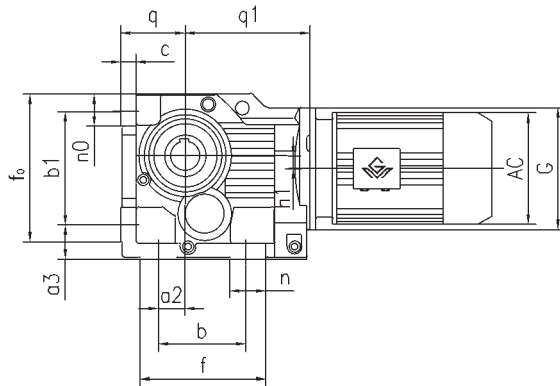
规格 Specification	s q	l ₃ q ₁	e w	a ₄ d	a ₅ d ₁	a ₆ t	a ₇ u	f f ₁	h H	h ₁ M ₁	p ₃ c ₁	c ₂ M	G W ₁	电机尺寸 Motor Size			
														AC	AD	L1	
GKA37	M10 210	20 139	100 60	60 Φ 30H7	35 Φ 45	82 33.3	97 8	147 2.5	100 ^{-0.5} 12	8.5 M8	164 17	105 M10x25	Φ 120 63	见附录 A-2 Please see appendix A-2			
GKA47	M10 243	20 166	110 75	70 Φ 35H7	40 Φ 50	100 38.3	115 10	170 3	112 ^{-0.5} 12	7.2 M8	185 22	132 M12x30	Φ 160 78				
GKA57	M12 269	25 173	122 83	88 Φ 40H7	47 Φ 55	105 43.3	120 12	182 3	132 ^{-0.5} 20	13.1 M12	215 29	142 M16x40	Φ 160 86				
GKA67	M12 274	25 179	130 90	88 Φ 40H7	42 Φ 55	110 43.3	125 12	182 3.5	140 ^{-0.5} 20	20 M12	226 29	156 M16x40	Φ 160 94				
GKA77	M16 312	32 202	156 105	102 Φ 50H7	48 Φ 70	122 53.8	139 14	204 4	180 ^{-0.5} 20	31.3 M12	286 32	183 M16x45	Φ 200 108				
GKA87	M16 390	32 257	170 120	118 Φ 60H7	65 Φ 85	160 64.4	190 18	280 4	212 ^{-0.5} 26	25.9 M16	338 36	210 M20x50	Φ 250 123				
GKA97	M20 435	36 277	226 150	160 Φ 70H7	83 Φ 95	165 74.9	190 20	298 4	265 ⁻¹ 26	32.3 M16	414 34	270 M20x50	Φ 300 153				
GKA107	M24 537	44 341	266 175	190 Φ 90H7	100 Φ 118	190 95.4	230 25	370 2.5	315 ⁻¹ /	52 /	500 40	313 M24x60	Φ 350 178				

注:电机需方配或配特殊电机时需加联接法兰(见附录 D)

Note: When equipping the user's motor or the special one, the flange is required to connected.(Please see appendix D)

GKA127-157
安装结构尺寸

GKA127-157
Mounting Dimensional Description

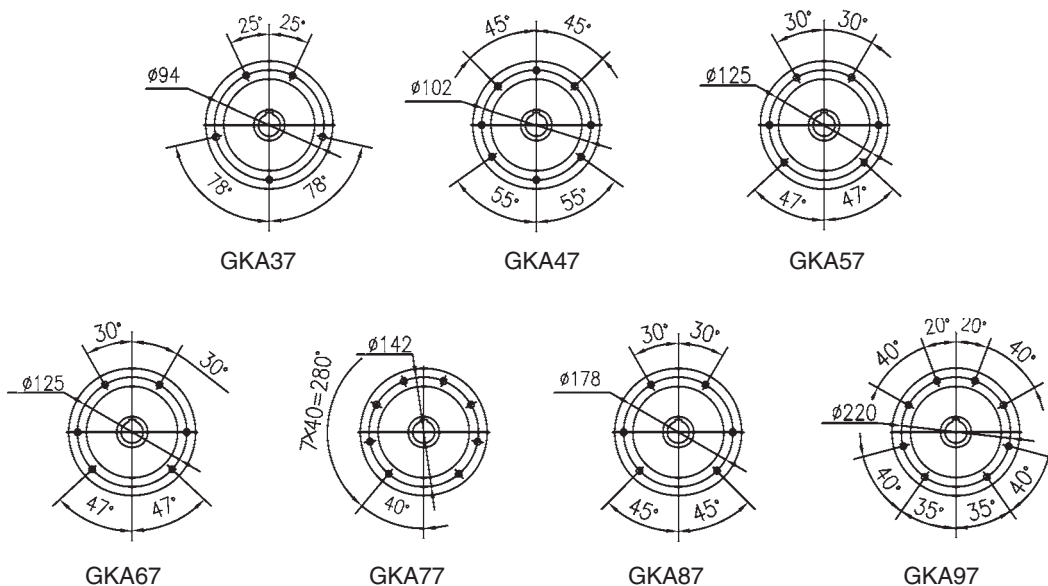


规格 Specification	s b	p ₃ a ₂	h n	a f ₀	e a ₃	f ₁ b ₁	w n ₀	d h ₁	d ₁ c	t q	u q ₁	f c ₁	c ₂ M	G W ₁	电机尺寸 Motor Size		
															AC	AD	L1
GKA127	Φ 39 350	592 115	375. ₋₁ 100	330 526	400 110	2.5 420	205 111	Φ 100H7 53	Φ 135 45	106.4 225. _{0.5}	28 390	440 38	373 M24x60	Φ 450 208	见附录 A-2 Please see appendix A-2		
GKA157	Φ 39 380	705 140	450. ₋₁ 100	420 634	500 130	7 500	250 130	Φ 120H7 71.7	Φ 155 50	127.4 280. ₋₁	32 426	480 36	460 M24x60	Φ 550 253	见附录 A-2 Please see appendix A-2		

注:电机需方配或配特殊电机时需加联接法兰(见附录 D)

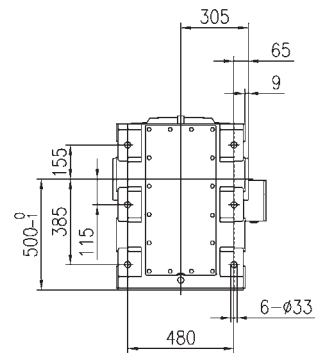
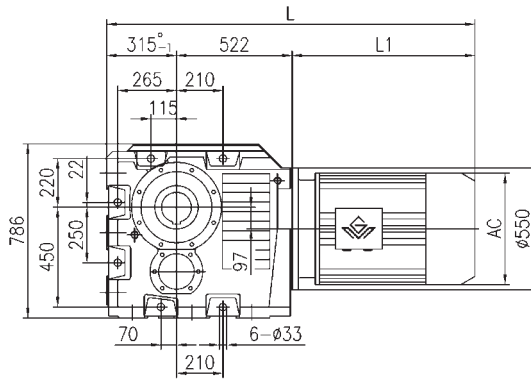
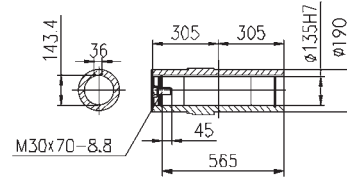
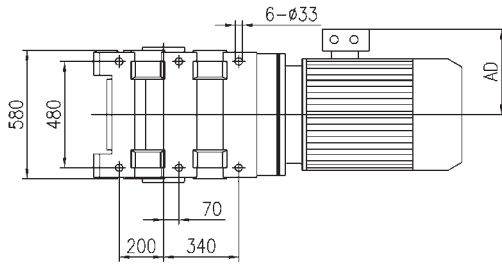
Note: When equipping the user's motor or the special one, the flange is required to connected.(Please see appendix D)

A向法兰安装结构尺寸 (Fig.A Mounting Dimension)



GKA167
安装结构尺寸

GKA167
Mounting Dimensional Description



电机机座号 Motor fram size	160M	160L	180M	180L	200	225S	225M	250M	280S	280M	315S	315M	315L
AC	330	330	380	380	420	470	470	510	580	580	645	645	645
AD	255	255	280	280	305	335	335	370	410	410	530	530	576
L1	505	560	590	630	660	675	705	770	845	895	1100	1130	1310
L	1342	1397	1427	1467	1497	1512	1542	1607	1682	1732	1937	1967	2147

注:电机需方配或配特殊电机时需加联接法兰(见附录 D)

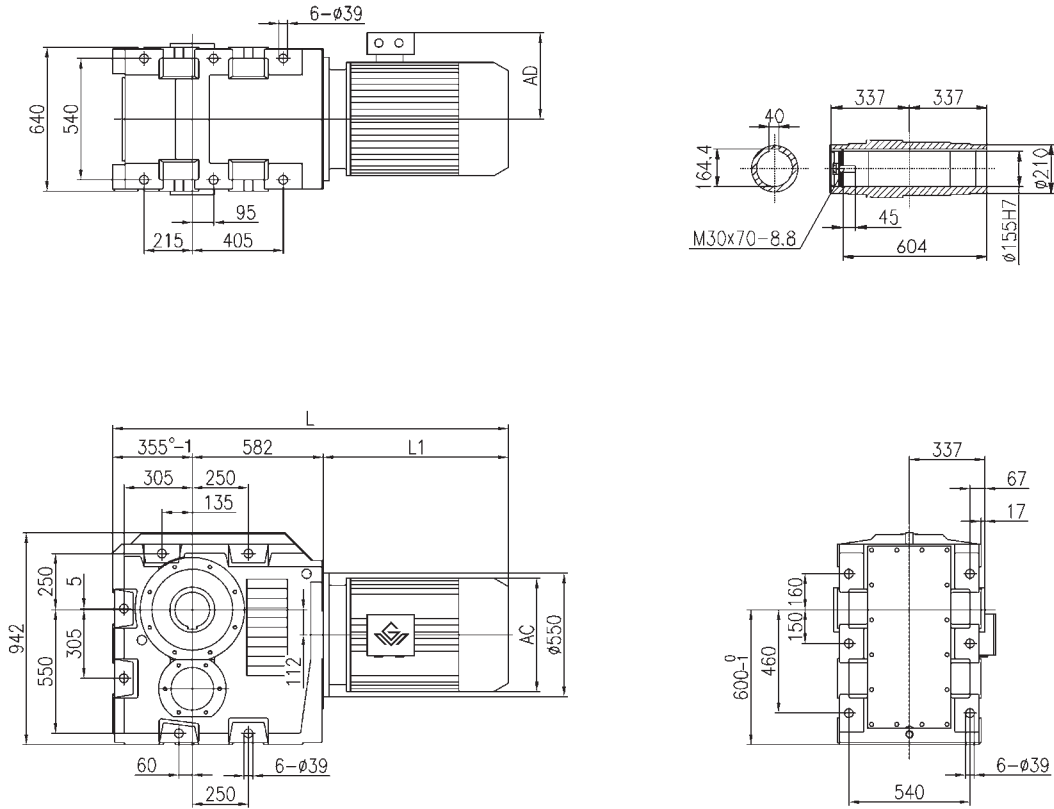
Note: When equipping the user's motor or the special one, the flange is required to connected.(Please see appendix D)

GKA187

安装结构尺寸

GKA187

Mounting Dimensional Description



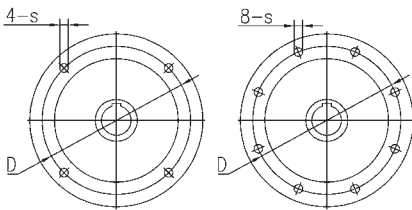
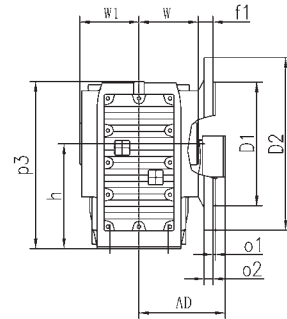
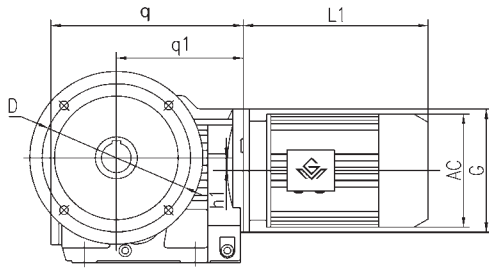
电机机座号 Motor fram size	160L	180M	180L	200	225S	225M	250M	280S	280M	315S	315M	315L
AC	330	380	380	420	470	470	510	580	580	645	645	645
AD	255	280	280	305	335	335	370	410	410	530	530	576
L1	560	590	630	660	675	705	770	845	895	1100	1130	1310
L	1497	1527	1567	1597	1612	1642	1707	1782	1832	2037	2067	2247

注:电机需方配或配特殊电机时需加联接法兰(见附录 D)

Note: When equipping the user's motor or the special one, the flange is required to connected.(Please see appendix D)

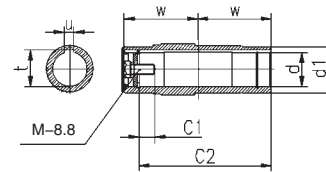
GKAF37-157
安装结构尺寸

GKAF37-157
Mounting Dimensional Description



GKAF37-87

GKAF97-157



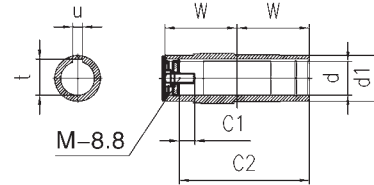
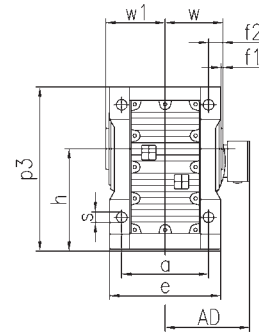
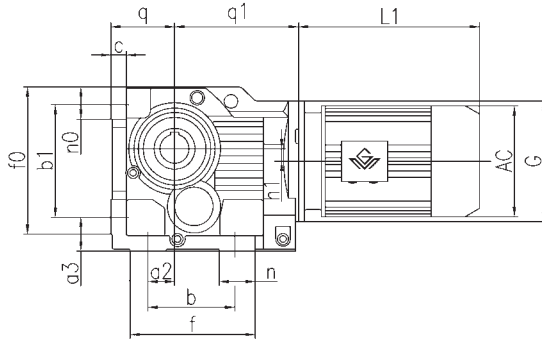
规格 Specification	s o ₁	q o ₂	q ₁ w	h ₁ f ₁	D d	D ₁ d ₁	D ₂ u	h t	p ₃ c ₁	c ₂ M	G W ₁	电机尺寸 Motor Size			
												AC	AD	L1	
GKAF37	Φ 9 3.5	210 10	139 60	8.5 24	Φ 130 Φ 30H7	Φ 110j6 Φ 45	Φ 160 8	100. ^{-0.5} 33.3	164 17	105 M10x25	Φ 120 63	见附录 A-2 Please see appendix A-2			
GKAF47	Φ 11 3.5	243 10	166 75	7.2 25	Φ 165 Φ 35H7	Φ 130j6 Φ 50	Φ 200 10	112. ^{-0.5} 38.3	185 22	132 M12x30	Φ 160 78				
GKAF57	Φ 13.5 4	269 15	173 83	13.1 23.5	Φ 215 Φ 40H7	Φ 180j6 Φ 55	Φ 250 12	132. ^{-0.5} 43.3	215 29	142 M16x40	Φ 160 86				
GKAF67	Φ 13.5 4	274 15	179 90	20 23	Φ 215 Φ 40H7	Φ 180j6 Φ 55	Φ 250 12	140. ^{-0.5} 43.3	226 29	156 M16x40	Φ 160 94				
GKAF77	Φ 13.5 4	312 16	202 105	31.3 37	Φ 265 Φ 50H7	Φ 230j6 Φ 70	Φ 300 14	180. ^{-0.5} 53.8	286 32	183 M16x45	Φ 200 108				
GKAF87	Φ 17.5 5	390 18	257 120	25.9 30	Φ 300 Φ 60H7	Φ 250h6 Φ 85	Φ 350 18	212. ^{-0.5} 64.4	338 36	210 M20x50	Φ 250 123				
GKAF97	Φ 17.5 5	435 22	277 150	32.3 41.5	Φ 400 Φ 70H7	Φ 350h6 Φ 95	Φ 450 20	265. ₋₁ 74.9	414 34	270 M20x50	Φ 300 153				
GKAF107	Φ 17.5 5	537 22	341 175	52 41	Φ 400 Φ 90H7	Φ 350h6 Φ 118	Φ 450 25	315. ₋₁ 95.4	500 40	313 M24x60	Φ 350 178				
GKAF127	Φ 17.5 5	615 25	390 205	53 51	Φ 500 Φ 100H7	Φ 450h6 Φ 135	Φ 550 28	375. ₋₁ 106.4	592 38	373 M24x60	Φ 450 208				
GKAF157	Φ 22 6	706 28	426 250	71.7 60	Φ 600 Φ 120H7	Φ 550h6 Φ 155	Φ 660 32	450. ₋₁ 127.4	705 36	460 M24x60	Φ 550 253				

注:电机需方配或配特殊电机时需加联接法兰(见附录 D)

Note: When equipping the user's motor or the special one, the flange is required to be connected.(Please see appendix D)

GKAB47-107
安装结构尺寸

GKAB47-107
Mounting Dimensional Description



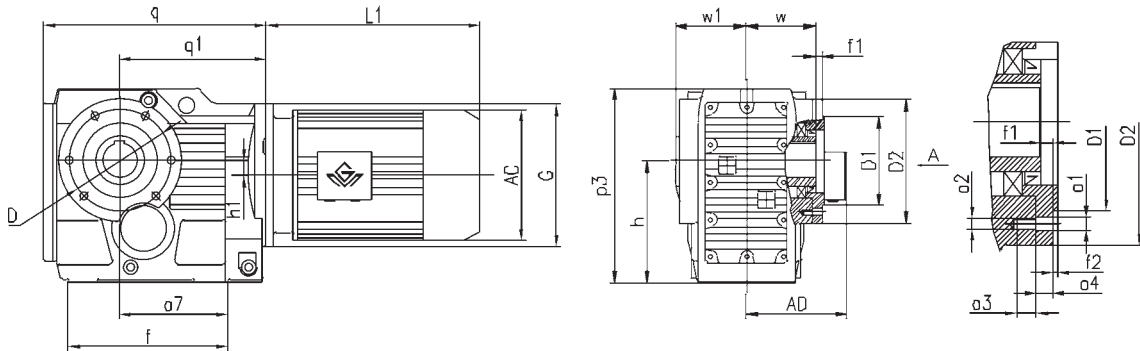
规格 Specification	s b	p ₃ a ₂	h n	a f ₀	e a ₃	f ₁ b ₁	w n ₀	d h ₁	d ₁ c	t q	u q ₁	f f ₂	c ₁ c ₂	W ₁ M	G	电机尺寸 Motor Size			
																AC	AD	L1	
GKAB47	Φ 11 130	185 35	112 _{-0.5} 32	120 170	145 37	3 130	75 37	Φ 35H7 7.2	Φ 50 18	38.3 71 _{-0.5}	10 166	162 15	22 132	78 M12x30	Φ 160	见附录 A-2 Please see appendix A-2			
GKAB57	Φ 13.5 130	217 30	132 _{-0.5} 40	130 190	157 45	3 150	83 43	Φ 40H7 13.1	Φ 55 21	43.3 80 _{-0.5}	12 173	172 18	29 142	86 M16x40	Φ 160				
GKAB67	Φ 13.5 120	228 30	140 _{-0.5} 45	140 203	170 45	3.5 160	90 43	Φ 40H7 20	Φ 55 24	43.3 90 _{-0.5}	12 179	170 20	29 156	93 M16x40	Φ 160				
GKAB77	Φ 17.5 150	288 40	180 _{-0.5} 55	165 263	200 55	4 200	105 55	Φ 50H7 31.3	Φ 70 27	53.8 112 _{-0.5}	14 202	208 22.5	32 183	108 M16x45	Φ 200				
GKAB87	Φ 22 180	340 55	212 _{-0.5} 75	180 305	230 70	4 233	120 67	Φ 60H7 25.9	Φ 85 32	64.4 132 _{-0.5}	18 257	260 30	36 210	123 M20x50	Φ 250				
GKAB97	Φ 26 240	417 75	265.1 60	240 372	290 75	4 295	150 82	Φ 70H7 32.3	Φ 95 36	74.9 160 _{-0.5}	20 277	294 30	34 270	153 M20x50	Φ 300				
GKAB107	Φ 33 280	503 95	315.1 100	270 448	340 95	2.5 360	175 98	Φ 90H7 52	Φ 118 40	95.4 200 _{-0.5}	25 341	380 40	40 313	178 M24x60	Φ 350				

注:电机需方配或配特殊电机时需加联接法兰(见附录 D)

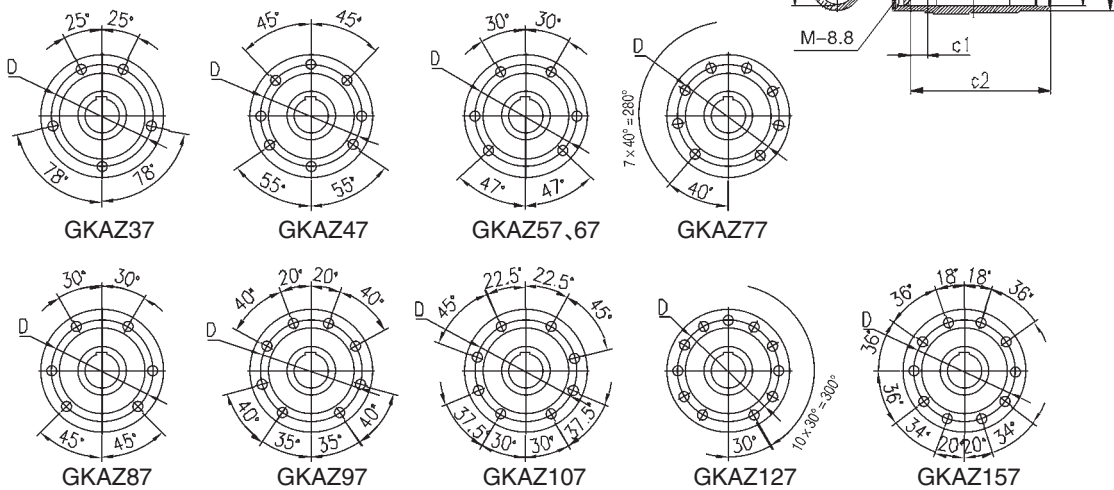
Note: When equipping the user's motor or the special one, the flange is required to connected.(Please see appendix D)

GKAZ37-157
安装结构尺寸

GKAZ37-157
Mounting Dimensional Description



A向法兰安装结构尺寸 (Fig.A Mounting Dimension)



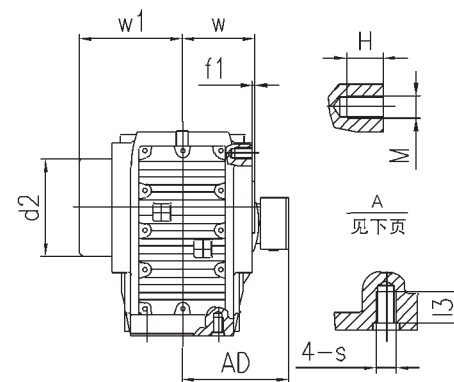
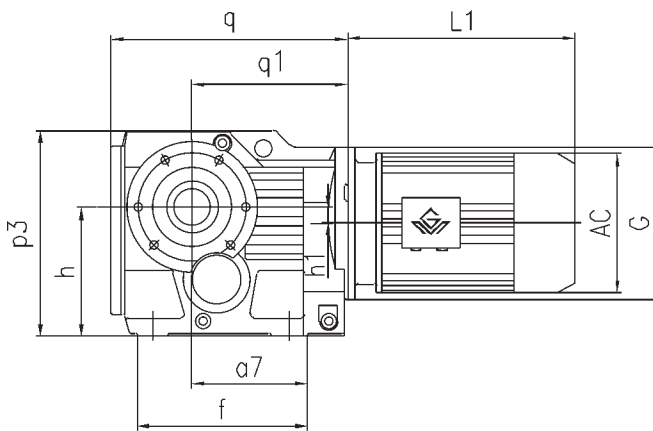
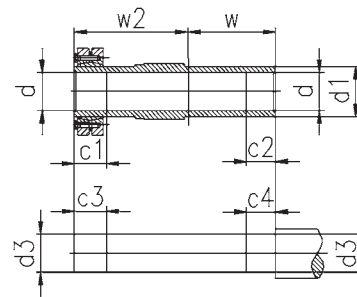
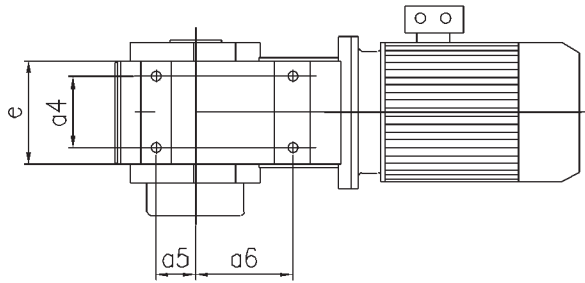
规格 Specification	q q ₁	D ₁ D ₂	h h ₁	p ₃ a ₇	f f ₁	w w ₁	d d ₁	c ₂ c ₁	t u	a ₃ a ₄	f ₂ a ₂	a ₁ D	G M	电机尺寸 Motor Size			
														AC	AD	L1	
GKAZ37	210 139	Φ 80j6 Φ 110	100 ^{-0.5} 8.5	164 97	147 9	60 63	Φ 30H7 Φ 45	105 17	33.3 8	12 11.5	3 M8	Φ 9 Φ 94	Φ 120 M10x25	见附录 A-2 Please see appendix A-2			
GKAZ47	243 166	Φ 80j6 Φ 120	112 ^{-0.5} 7.2	185 115	170 8.5	75 78	Φ 35H7 Φ 50	132 22	38.3 10	12 11	3 M8	Φ 9 Φ 102	Φ 160 M12x30				
GKAZ57	269 173	Φ 105j6 Φ 155	132 ^{-0.5} 13.1	215 120	182 9	83 86	Φ 40H7 Φ 55	142 29	43.3 12	20 12	3.5 M12	Φ 13.5 Φ 125	Φ 160 M16x40				
GKAZ67	274 179	Φ 105j6 Φ 155	140 ^{-0.5} 20	226 125	182 8.5	90 94	Φ 40H7 Φ 55	156 29	43.3 12	20 12	3.5 M12	Φ 13.5 Φ 125	Φ 160 M16x40				
GKAZ77	312 202	Φ 125j6 Φ 170	180 ^{-0.5} 31.3	286 139	204 10	105 108	Φ 50H7 Φ 70	183 32	53.8 14	20 14	3.5 M12	Φ 13.5 Φ 142	Φ 200 M16x45				
GKAZ87	390 257	Φ 155j6 Φ 215	212 ^{-0.5} 25.9	338 190	280 11	120 123	Φ 60H7 Φ 85	210 36	64.4 18	26.15	4 M16	Φ 17.5 Φ 178	Φ 250 M20x50				
GKAZ97	435 277	Φ 180j6 Φ 260	265 ^{-1.0} 32.3	414 190	298 14	150 153	Φ 70H7 Φ 95	270 34	74.9 20	26.18	4 M16	Φ 17.5 Φ 220	Φ 300 M20x50				
GKAZ107	537 341	Φ 210j6 Φ 304	315 ^{-1.0} 52	500 230	370 -8	175 178	Φ 90H7 Φ 118	313 40	95.4 25	30 22	4 M20	Φ 22 Φ 260	Φ 350 M24x60				
GKAZ127	615 390	Φ 250h6 Φ 350	375 ^{-1.0} 53	592 288	440 0	205 208	Φ 100H7 Φ 135	373 38	106.4 28	28 30	5 M20	Φ 22 Φ 300	Φ 450 M24x60				
GKAZ157	706 426	Φ 290h6 Φ 400	450 ^{-1.0} 71.7	705 298	480 -14	250 253	Φ 120H7 Φ 155	460 36	127.4 32	36 28	5 M24	Φ 26 Φ 340	Φ 550 M24x60				

注:电机需方配或配特殊电机时需加联接法兰(见附录 D)

Note: When equipping the user's motor or the special one, the flange is required to be connected.(Please see appendix D)

GKH37-107
安装结构尺寸

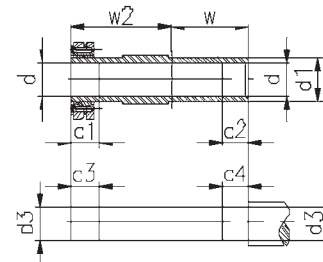
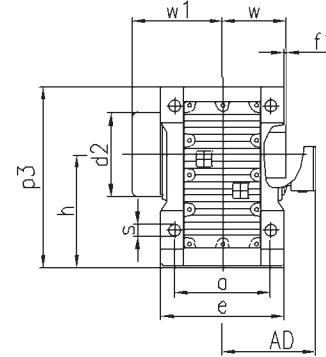
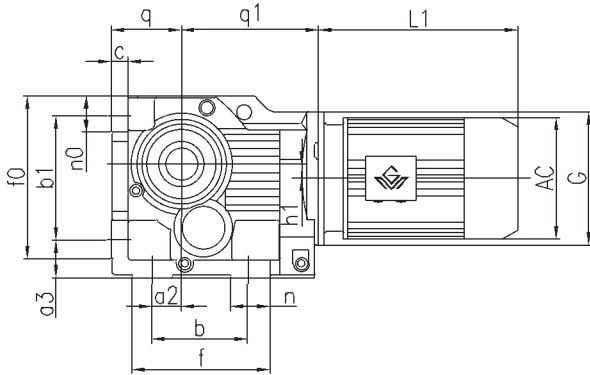
GKH37-107
Mounting Dimensional Description



规格 Specification	q	h	e	a ₄	a ₆	f	d ₂	d	w	w ₂	c ₁	c ₃	s	M	电机尺寸 Motor Size			
	q ₁	h ₁	p ₃	a ₅	a ₇	f ₁	d ₁	d ₃	w ₁	G	c ₂	c ₄	l ₃	H	AC	AD	L1	
GKH37	210 139	100 ^{-0.5} 8.5	100 164	60 35	82 97	147 2.5	Φ 75 Φ 45	Φ 30H7 Φ 30h6	60 95	86 Φ 120	31 20	36 25	M10 20	M8 12	见附录 A-2 Please see appendix A-2			
GKH47	243 166	112 ^{-0.5} 7.2	110 185	70 40	100 115	170 3	Φ 83 Φ 50	Φ 35H7 Φ 35h6	75 110	102 Φ 160	32 20	37 25	M10 20	M8 12				
GKH57	269 173	132 ^{-0.5} 13.1	122 215	88 47	105 120	182 3	Φ 83 Φ 55	Φ 40H7 Φ 40h6	83 117	112 Φ 160	26 20	31 25	M12 25	M12 20				
GKH67	274 179	140 ^{-0.5} 20	130 226	88 42	110 125	182 3.5	Φ 93 Φ 55	Φ 40H7 Φ 40h6	90 126	118 Φ 160	38 20	43 25	M12 25	M12 20				
GKH77	312 202	180 ^{-0.5} 31.3	154 286	102 48	122 139	204 4	Φ 114 Φ 70	Φ 50H7 Φ 50h6	105 146	136 Φ 200	36 30	41 35	M16 32	M12 20				
GKH87	390 257	212 ^{-0.5} 25.9	170 338	118 65	160 190	280 4	Φ 159 Φ 85	Φ 65H7 Φ 65h6	120 170	161 Φ 250	41 40	46 45	M16 32	M16 26				
GKH97	435 277	265.1 32.3	226 414	160 83	165 190	298 4	Φ 174 Φ 95	Φ 75H7 Φ 75h6	150 206	195 Φ 300	55 50	60 55	M20 36	M16 26				
GKH107	537 341	315.1 52	266 500	190 100	190 230	370 2.5	Φ 200 Φ 118	Φ 95H7 Φ 95h6	175 245	230 Φ 350	65 60	75 70	M24 44	/ /				

注:电机需方配或配特殊电机时需加联接法兰(见附录 D)

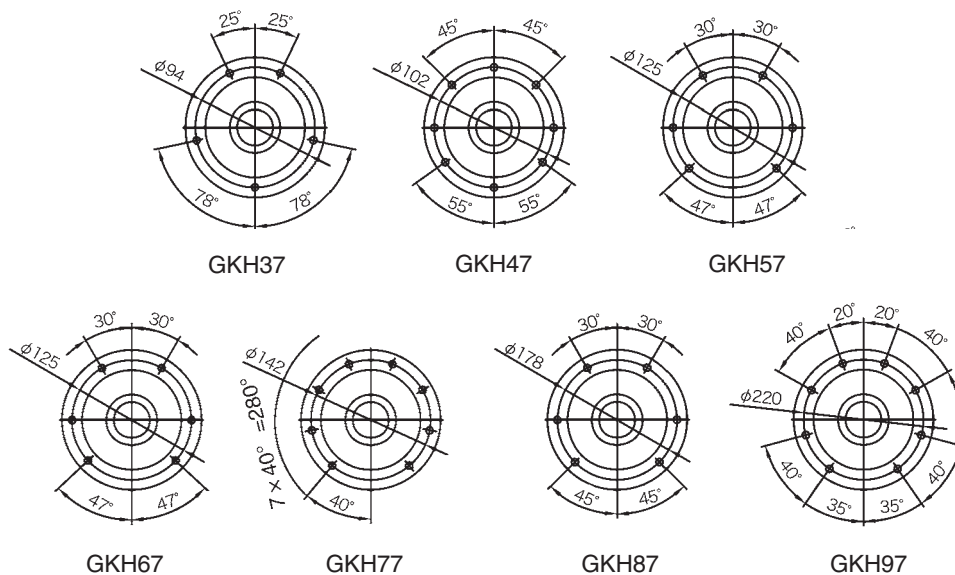
Note: When equipping the user's motor or the special one, the flange is required to connected.(Please see appendix D)

GKH127-157
安装结构尺寸
GKH127-157
Mounting Dimensional Description


规格 Specification	q ₁ q	c s	n ₀ b ₁	f ₀ a ₃	f n	a ₂ b	h p ₃	a e	w w ₁	w ₂ f ₁	c ₁ c ₂	c ₃ c ₄	d ₂ d ₁	d d ₃	h ₁ G	电机尺寸 Motor Size		
																AC	AD	L1
GKH127	390 225 _{-0.5}	45 Φ 39	111 420	526 110	440 100	115 350	375 ₋₁ 592	330 400	205 296	280 2.5	85 70	95 80	Φ 233 Φ 135	Φ 105H7 Φ 105h6	53 Φ 450	见附录 A-2 Please see appendix A-2		
GKH157	426 280 ₋₁	50 Φ 39	130 500	634 130	480 100	140 380	450 ₋₁ 705	420 500	250 370	330 /	90 80	100 90	Φ 315 Φ 155	Φ 125H7 Φ 125h6	71.7 Φ 550			

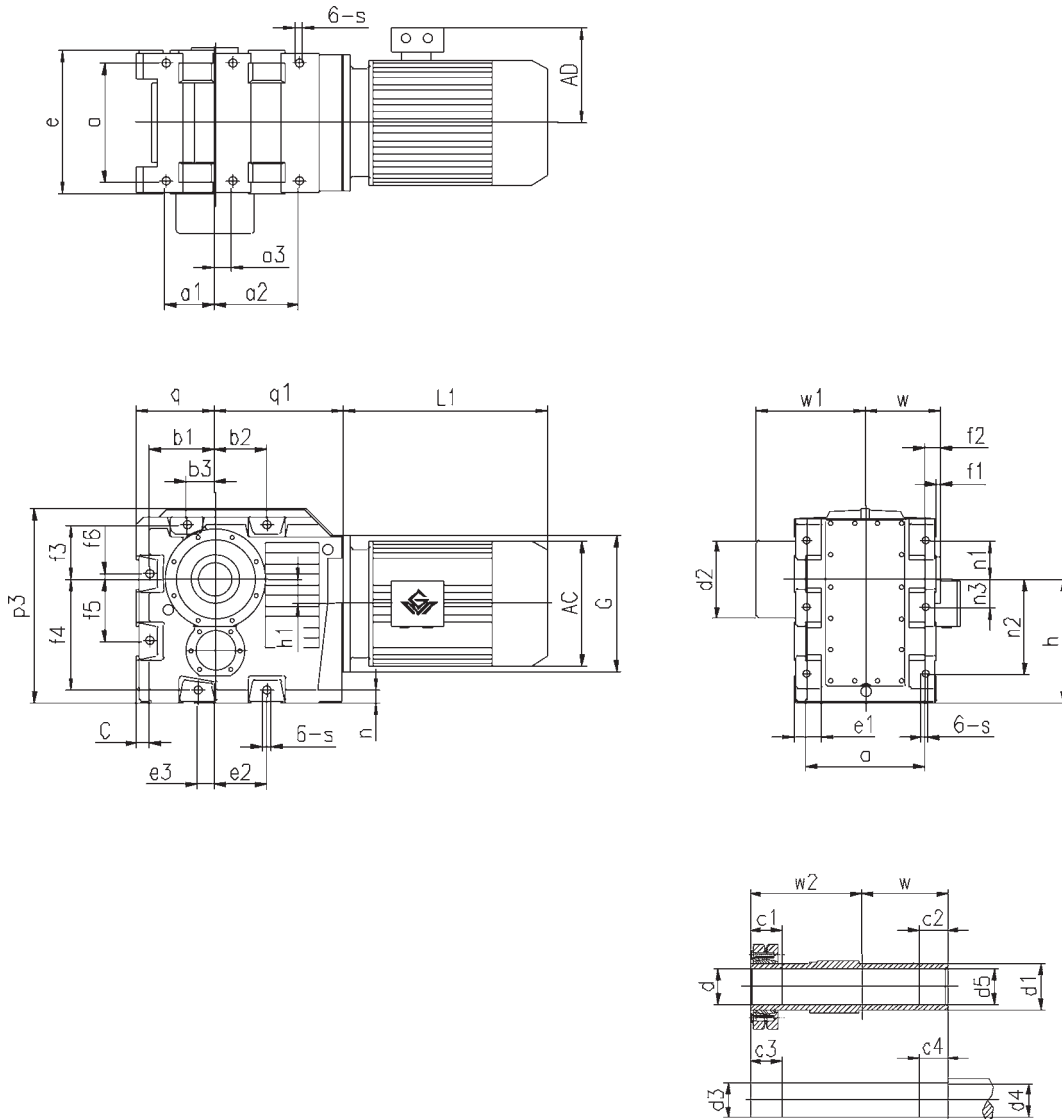
注:电机需方配或配特殊电机时需加联接法兰(见附录 D)

Note: When equipping the user's motor or the special one, the flange is required to connected.(Please see appendix D)

A向法兰安装结构尺寸 (Fig.A Mounting Dimension)


GKH167-187
安装结构尺寸

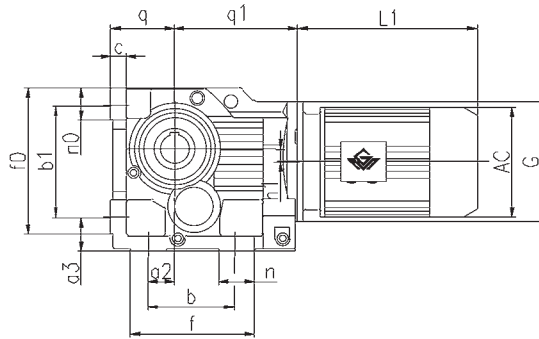
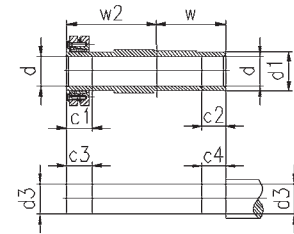
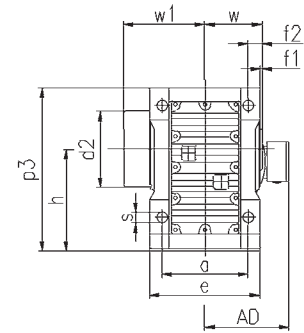
GKH167-187
Mounting Dimensional Description



规格 Specification	a_1	p_3	b_1	f_3	f_6	e_2	a	h	n_3	c_1	c_4	w_2	d	d_4	电机尺寸 Motor Size		
	a_2 a_3	q q_1	b_2 b_3	f_4 f_5	h_1 n	e_3 c	f_2 f_1	n_1 n_2	e e_1	c_2 c_3	w w_1	s d_2	d_5 d_3	d_1 G	AC	AD	L1
GKH167	200	786	265	220	22	210	480	500 _{.1}	115	122	100	423	Φ 135H7	Φ 140h6	见附录 A-2 Please see appendix A-2		
	340	315 _{.1}	210	450	97	70	65	155	580	90	305	Φ 33	Φ 140H7	Φ 190			
	70	522	115	250	50	50	9	385	104	130	442	Φ 315	Φ 135h6	Φ 550			
GKH187	215	942	305	250	5	250	540	600 _{.1}	150	117	105	455	Φ 155H7	Φ 160h6	见附录 A-2 Please see appendix A-2		
	405	355 _{.1}	250	550	112	60	67	160	640	95	337	Φ 39	Φ 160H7	Φ 200			
	95	582	135	305	50	50	10.5	460	110	130	474	Φ 373	Φ 155h6	Φ 550			

注:电机需方配或配特殊电机时需加联接法兰(见附录 D)

Note: When equipping the user's motor or the special one, the flange is required to connected.(Please see appendix D)

GKHB47-107
安装结构尺寸

GKHB47-107
Mounting Dimensional Description


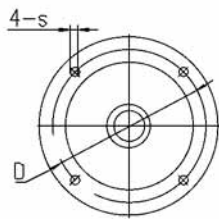
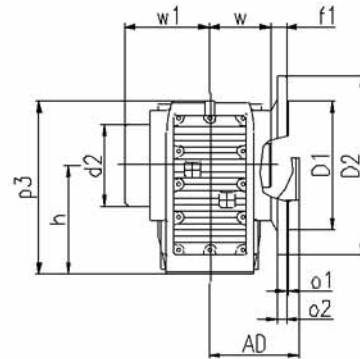
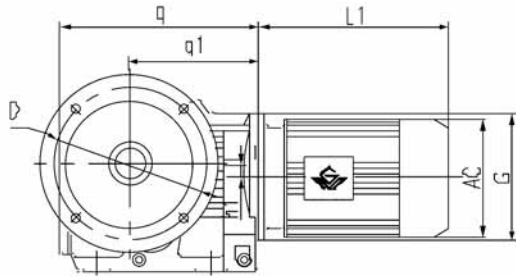
规格 Specification	q q ₁	s b	p ₃ a ₂	h n	a b ₁	e a ₃	f ₀ f ₁	w n ₀	d d ₃	c h ₁	d ₁ d ₂	f f ₂	c ₁ c ₂	c ₃ c ₄	w ₁ w ₂	G	电机尺寸 Motor Size			
																	AC	AD	L1	
GKHB47	71 ^{-0.5} 166	Φ 11 130	185 35	112 ^{-0.5} 32	120 130	145 37	170 3	75 37	Φ 35H7 Φ 35h6	18 7.2	Φ 50 Φ 83	162 15	32 20	37 25	110 102	Φ 160	见附录 A-2 Please see appendix A-2			
GKHB57	80 ^{-0.5} 173	Φ 13.5 130	217 30	132 ^{-0.5} 40	130 150	157 45	190 3	83 43	Φ 40H7 Φ 40h6	21 13.1	Φ 55 Φ 83	172 18	26 20	31 25	117 112	Φ 160				
GKHB67	90 ^{-0.5} 179	Φ 13.5 120	228 30	140 ^{-0.5} 45	140 160	170 45	203 3.5	90 43	Φ 40H7 Φ 40h6	24 20	Φ 55 Φ 93	170 20	38 20	43 25	126 118	Φ 160				
GKHB77	112 ^{-0.5} 202	Φ 17.5 150	288 40	180 ^{-0.5} 55	165 200	200 55	263 4	105 55	Φ 50H7 Φ 50h6	27 31.3	Φ 70 Φ 114	208 22.5	36 30	41 35	146 136	Φ 200				
GKHB87	132 ^{-0.5} 257	Φ 22 180	340 55	212 ^{-0.5} 75	180 233	230 70	305 4	120 67	Φ 65H7 Φ 65h6	32 25.9	Φ 85 Φ 159	260 30	41 40	46 45	170 161	Φ 250				
GKHB97	160 ^{-0.5} 277	Φ 26 240	417 75	265 ⁻¹ 60	240 295	290 75	372 4	150 82	Φ 75H7 Φ 75h6	36 32.3	Φ 95 Φ 174	294 30	55 50	60 55	206 195	Φ 300				
GKHB107	200 ^{-0.5} 341	Φ 33 280	503 95	315 ⁻¹ 100	270 360	340 95	448 2.5	175 98	Φ 95H7 Φ 95h6	40 52	Φ 118 Φ 200	380 40	65 60	75 70	245 230	Φ 350				

注:电机需方配或配特殊电机时需加联接法兰(见附录 D)

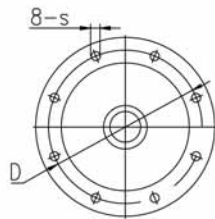
Note: When equipping the user's motor or the special one, the flange is required to connected.(Please see appendix D)

GKHF37-157
安装结构尺寸

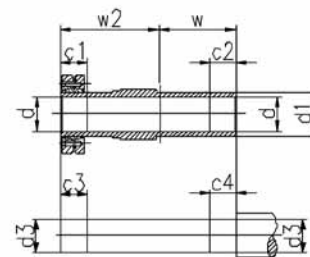
GKHF37-157
Mounting Dimensional Description



GKHF37-87



GKHF97-157



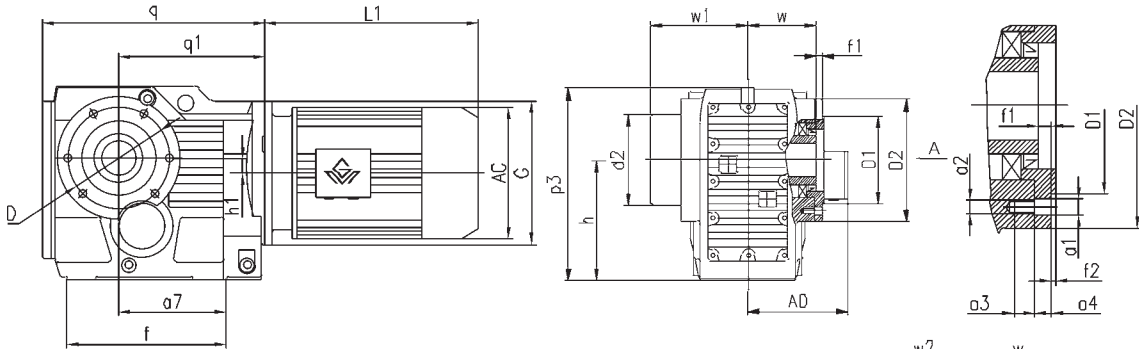
规格 Specification	q q ₁	h h ₁	o ₁ o ₂	s f ₁	w ₁ w	w ₂ c ₁	c ₂ c ₃	c ₄ D	D ₁ D ₂	d ₁ d ₃	d d ₂	p ₃ G	电机尺寸 Motor Size			
													AC	AD	L1	
GKHF37	210 139	100 ^{+0.5} 8.5	3.5 10	Φ 9 24	95 60	86 31	20 36	25 Φ 130	Φ 110j6 Φ 160	Φ 45 Φ 30h6	Φ 30H7 Φ 75	164 Φ 120	见附录 A-2 Please see appendix A-2			
GKHF47	243 166	112 ^{+0.5} 7.2	3.5 10	Φ 11 25	110 75	102 32	20 37	25 Φ 165	Φ 130j6 Φ 200	Φ 50 Φ 35h6	Φ 35H7 Φ 83	185 Φ 160				
GKHF57	269 173	132 ^{+0.5} 13.1	4 15	Φ 13.5 23.5	117 83	112 26	20 31	25 Φ 215	Φ 180j6 Φ 250	Φ 55 Φ 40h6	Φ 40H7 Φ 83	215 Φ 160				
GKHF67	274 179	140 ^{+0.5} 20	4 15	Φ 13.5 23	126 90	118 38	20 43	25 Φ 215	Φ 180j6 Φ 250	Φ 55 Φ 40h6	Φ 40H7 Φ 93	226 Φ 160				
GKHF77	312 202	180 ^{+0.5} 31.3	4 16	Φ 13.5 37	146 105	136 36	30 41	35 Φ 265	Φ 230j6 Φ 300	Φ 70 Φ 50h6	Φ 50H7 Φ 114	286 Φ 200				
GKHF87	390 257	212 ^{+0.5} 25.9	5 18	Φ 17.5 30	170 120	161 41	40 46	45 Φ 300	Φ 250h6 Φ 350	Φ 85 Φ 65h6	Φ 65H7 Φ 159	338 Φ 250				
GKHF97	435 277	265 ⁻¹ 32.3	5 22	Φ 17.5 41.5	206 150	195 55	50 60	55 Φ 400	Φ 350h6 Φ 450	Φ 95 Φ 75h6	Φ 75H7 Φ 174	414 Φ 300				
GKHF107	537 341	315 ⁻¹ 52	5 22	Φ 17.5 41	245 175	230 65	60 75	70 Φ 400	Φ 350h6 Φ 450	Φ 118 Φ 95h6	Φ 95H7 Φ 200	500 Φ 350				
GKHF127	615 390	375 ⁻¹ 53	5 25	Φ 17.5 51	296 205	280 85	70 95	80 Φ 500	Φ 450h6 Φ 550	Φ 135 Φ 105h6	Φ 105H7 Φ 233	592 Φ 450				
GKHF157	706 426	450 ⁻¹ 71.7	6 28	Φ 22 60	370 250	330 90	80 100	90 Φ 600	Φ 550h6 Φ 660	Φ 155 Φ 125h6	Φ 125H7 Φ 315	705 Φ 550				

注:电机需方配或配特殊电机时需加联接法兰(见附录 D)

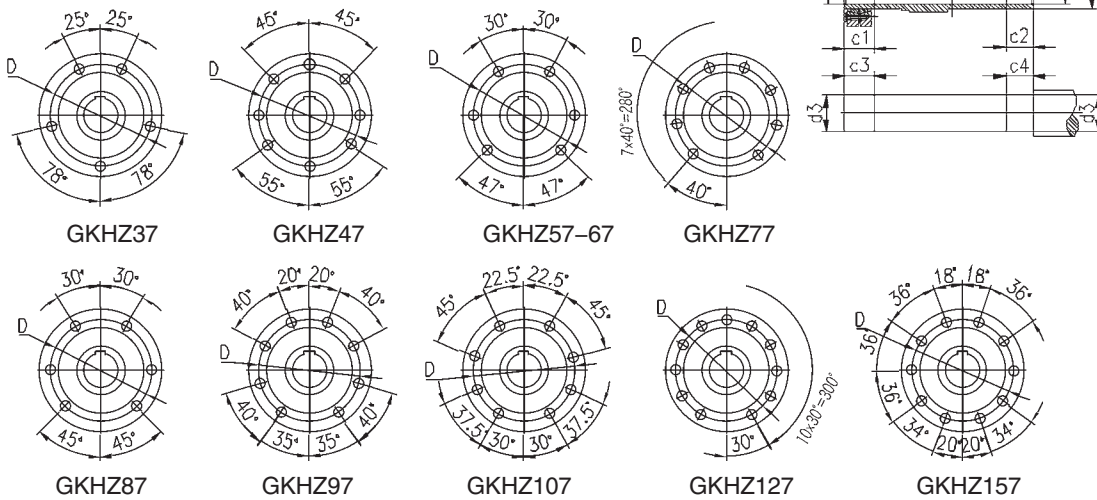
Note: When equipping the user's motor or the special one, the flange is required to connected.(Please see appendix D)

GKHZ37-157
安装结构尺寸

GKHZ37-157
Mounting Dimensional Description



A向法兰安装结构尺寸 (Fig.A Mounting Dimension)



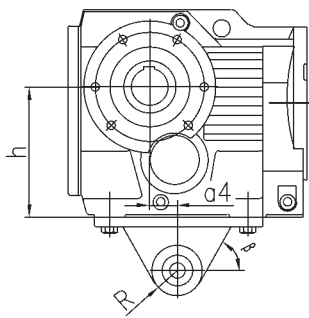
规格 Specification	q q ₁	D ₁ D ₂	h h ₁	p ₃ a ₇	f f ₁	w w ₁	G w ₂	d ₂ d ₁	d d ₃	c ₁ c ₂	c ₃ c ₄	a ₃ a ₄	f ₂ a ₂	a ₁ D	电机尺寸 Motor Size			
															AC	AD	L1	
GKHZ37	210 139	Φ 80j6 Φ 110	100 _{-0.5} 8.5	164 97	147 9	60 95	Φ 120 86	Φ 75 Φ 45	Φ 30H7 Φ 30h6	31 20	36 25	12 11.5	3 M8	Φ 9 Φ 94	见附录 A-2 Please see appendix A-2			
GKHZ47	243 166	Φ 80j6 Φ 120	112 _{-0.5} 7.2	185 115	170 8	75 110	Φ 160 102	Φ 83 Φ 50	Φ 35H7 Φ 35h6	32 20	37 25	12 11	3 M8	Φ 9 Φ 102				
GKHZ57	269 173	Φ 105j6 Φ 155	132 _{-0.5} 13.1	215 120	182 9	83 117	Φ 160 112	Φ 83 Φ 55	Φ 40H7 Φ 40h6	26 20	31 25	20 12	3.5 M12	Φ 13.5 Φ 125				
GKHZ67	274 179	Φ 105j6 Φ 155	140 _{-0.5} 20	226 125	182 8.5	90 126	Φ 160 118	Φ 93 Φ 55	Φ 40H7 Φ 40h6	38 20	43 25	20 12	3.5 M12	Φ 13.5 Φ 125				
GKHZ77	312 202	Φ 125j6 Φ 170	180 _{-0.5} 31.3	286 139	204 10	105 146	Φ 200 136	Φ 114 Φ 70	Φ 50H7 Φ 50h6	36 30	41 35	20 14	3.5 M12	Φ 13.5 Φ 142				
GKHZ87	390 257	Φ 155j6 Φ 215	212 _{-0.5} 25.9	338 190	280 11	120 170	Φ 250 161	Φ 159 Φ 85	Φ 65H7 Φ 65h6	41 40	46 45	26 15	4 M16	Φ 17.5 Φ 178				
GKHZ97	435 277	Φ 180j6 Φ 260	265 ₋₁ 32.3	414 190	298 14	150 206	Φ 300 195	Φ 174 Φ 95	Φ 75H7 Φ 75h6	55 50	60 55	26 18	4 M16	Φ 17.5 Φ 220				
GKHZ107	537 341	Φ 210j6 Φ 304	315 ₋₁ 52	500 230	370 8	175 245	Φ 350 230	Φ 200 Φ 118	Φ 95H7 Φ 95h6	65 60	75 70	30 22	4 M20	Φ 22 Φ 260				
GKHZ127	615 390	Φ 250h6 Φ 350	375 ₋₁ 53	592 288	440 0	205 296	Φ 450 280	Φ 233 Φ 135	Φ 105H7 Φ 105h6	85 70	95 80	28 30	5 M20	Φ 22 Φ 300				
GKHZ157	706 426	Φ 290h6 Φ 400	450 ₋₁ 71.7	705 298	480 14	250 370	Φ 550 330	Φ 315 Φ 155	Φ 125H7 Φ 125h6	90 80	100 90	36 28	5 M24	Φ 26 Φ 340				

注:电机需方配或配特殊电机时需加联接法兰(见附录 D)

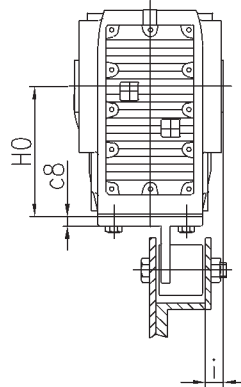
Note: When equipping the user's motor or the special one, the flange is required to connected.(Please see appendix D)

GKAT37-157
安装结构尺寸

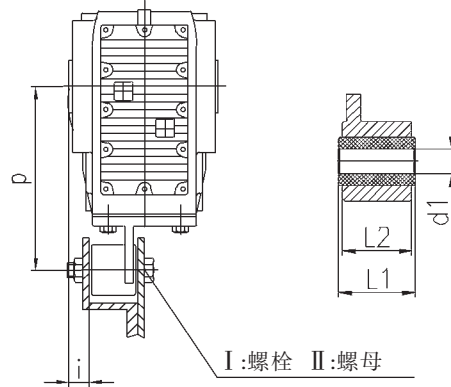
GKAT37-157
Mounting Dimensional Description



GKAT37-107

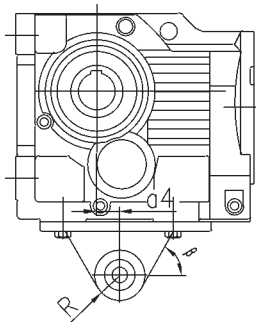


C面安装

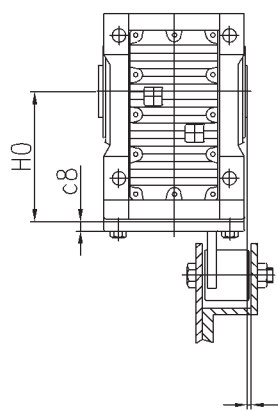


D面安装

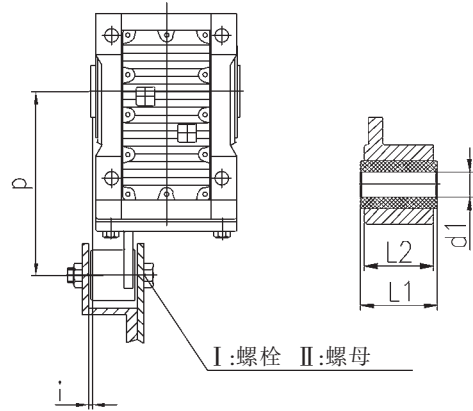
I:螺栓 II:螺母



GKAT127-157



C面安装



D面安装

I:螺栓 II:螺母

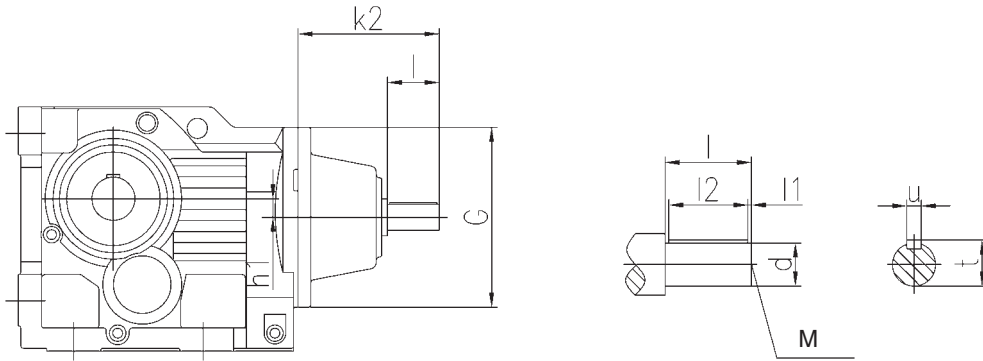
机型号 Type Size	a_4	β	C_8	i	P	R	H_0	d_1	$L_{1-0.3}$	L_2
GKAT37	23.5	60°	10	20	140 ^{+0.2} _{-0.7}	22.5	100 _{-0.5}	10.4 ^{+0.1} _{-0.1}	36	31
GKAT47	30	55°	12	20	160 ^{+0.2} _{-0.7}	22.5	112 _{-0.5}	10.4 ^{+0.1} _{-0.1}	36	31
GKAT57	40	55°	13	18	192 ^{+0.2} _{-0.7}	29	132 _{-0.5}	16.4 ^{+0.08} _{-0.08}	60	54
GKAT67	45	55°	13	25	200 ^{+0.2} _{-0.7}	29	140 _{-0.5}	16.4 ^{+0.08} _{-0.08}	60	54
GKAT77	52.5	60°	14	25	250 ^{+0.2} _{-0.7}	29	180 _{-0.5}	16.4 ^{+0.08} _{-0.08}	60	54
GKAT87	60	60°	16	30	300 ^{+0.2} _{-0.7}	41	212 _{-0.5}	25 ^{+0.08} _{-0.08}	80	72
GKAT97	70	50°	17	40	350 ^{+0.2} _{-1.2}	41	265 ₋₁	25 ^{+0.08} _{-0.08}	100	92
GKAT107	74	55°	20	45	450 ^{+0.5} _{-1.5}	41	315 ₋₁	25 ^{+0.08} _{-0.08}	100	92
GKAT127	60	65°	45	7	550 ^{+0.5} _{-1.5}	70	375 ₋₁	40 ^{+0.08} _{-0.08}	126	110
GKAT157	50	65°	45	2	700 ^{+0.5} _{-1.5}	70	450 ₋₁	40 ^{+0.08} _{-0.08}	126	110

其它尺寸请按照 GKA 型。

注:I:螺栓 II:螺母用户自配。

For other dimensions, see the type GKA.

Note: bolts I and nuts II are prepared by customers.

GK..SZ37-187AD1-8
安装结构尺寸
GK..SZ37-187AD1-8
Mounting Dimensional Description

GK..SZ37-187AD1-8 安装结构尺寸 (GK..SZ37-187AD1-8 Mounting Dimensional Description)

机型号 Type Size		d	G	k ₂	l	M	l ₁	l ₂	t	u	h ₁
GK..SZ37	AD1	16k6	Φ 120	115	40	M5	4	32	18	5	8.5
	AD2	19k6	Φ 120	115	40	M6	4	32	21.5	6	8.5
GK..SZ47	AD2	19k6	Φ 160	120	40	M6	4	32	21.5	6	7.2
	AD3	24k6	Φ 160	130	50	M8	5	40	27	8	7.2
GK..SZ57/67	AD2	19k6	Φ 160	120	40	M6	4	32	21.5	6	13.1/20
	AD3	24k6	Φ 160	130	50	M8	5	40	27	8	13.1/20
GK..SZ77	AD2	19k6	Φ 200	130	40	M6	4	32	21.5	6	31.3
	AD3	24k6	Φ 200	140	50	M8	5	40	27	8	31.3
	AD4	38k6	Φ 200	140	50	M12	5	40	41	10	31.3
GK..SZ87	AD2	19k6	Φ 250	160	40	M6	4	32	21.5	6	25.9
	AD3	28k6	Φ 250	180	60	M10	5	50	31	8	25.9
	AD4	38k6	Φ 250	200	80	M12	5	70	41	10	25.9
GK..SZ97	AD3	28k6	Φ 300	200	60	M10	5	50	31	8	32.3
	AD4	38k6	Φ 300	220	80	M12	5	70	41	10	32.3
	AD5	42k6	Φ 300	220	80	M16	5	70	45	12	32.3
	AD6	48k6	Φ 300	220	80	M16	5	70	51.5	14	32.3
GK..SZ107	AD3	28k6	Φ 350	220	60	M10	5	50	31	8	52
	AD4	38k6	Φ 350	240	80	M12	5	70	41	10	52
	AD5	42k6	Φ 350	270	110	M16	10	90	45	12	52
	AD6	48k6	Φ 350	270	110	M16	10	90	51.5	14	52
GK..SZ127	AD4	38k6	Φ 450	267	80	M12	5	70	41	10	53
	AD5	42k6	Φ 450	297	110	M16	10	90	45	12	53
	AD6	48k6	Φ 450	297	110	M16	10	90	51.5	14	53
	AD7	55m6	Φ 450	297	110	M20	10	90	59	16	53
	AD8	70m6	Φ 450	297	110	M20	10	90	74.5	20	53
GK..SZ157/167/187	AD5	42k6	Φ 550	344	110	M16	10	90	45	12	71.7/97/112
	AD6	48k6	Φ 550	344	110	M16	10	90	51.5	14	71.7/97/112
	AD7	55m6	Φ 550	344	110	M20	10	90	59	16	71.7/97/112
	AD8	70m6	Φ 550	374	140	M20	15	110	74.5	20	71.7/97/112

其它尺寸请参照 GK 型。

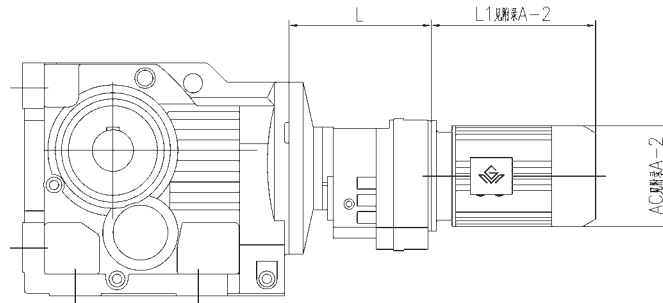
注：GKF/GKA/GKAB/GKAF/GKAZ/GKH/GKHF/GKHZ 也均可采用双轴型，并分别记为 GKFSZ..AD..、GKASZ..AD..、GKABSZ..AD..、GKAFSZ..AD..、GKAZSZ..AD..、GKHSZ..AD..、GKHFSZ..AD..和 GKHZSZ..AD..。

For other dimensions, see the type GK.

Note: double shafts type is also available for type GKF/GKA/GKAB/GKAF/GKAZ/GKH/GKHF/GKHZ, and these double shafts types are respectively named type GKHFSZ..AD..、GKASZ..AD..、GKABSZ..AD..、GKAFSZ..AD..、GKAZ..AD..、GKHSZ..AD..、GKHFSZ..AD...and GKHZSZ..AD..

GK..R..
安装结构尺寸

GK..R..
Mounting Dimensional Description



机型号 Type Size	电机机座号 Motor frame size	L
GK..37R17	63	131
	71	
	80	
GK..47R37 GK..67R37	63	157
	71	
	80	
GK..57R37	63	157
	71	
	80	
GK..77R37	63	157
	71	
	80	
GK..87R57	63	187
	71	
	80	
GK..97R57	63	187
	71	
	80	
GK..107R77	63	220
	71	
	80	
GK..127R77	90	220
	100	
	112	
	132	
	160	
GK..127R87	90	272
	100	
	112	
	132	
	160	
GK..157R97 GK..167R97 GK..187R97	90	320
	100	
	112	
	132	
	160	
GK..157R107 GK..167R107 GK..187R107	180	355
	200	
	225	
	100	
	112	

机型号 Type Size	电机机座号 Motor frame size	L
GK..127R77	63	220
	71	
	80	
	90	
	100	
GK..127R87	112	272
	132	
	160	
	180	
	90	
GK..157R97 GK..167R97 GK..187R97	100	320
	112	
	132	
	160	
	180	
GK..157R107 GK..167R107 GK..187R107	200	355
	225	
	100	
	112	
	132	

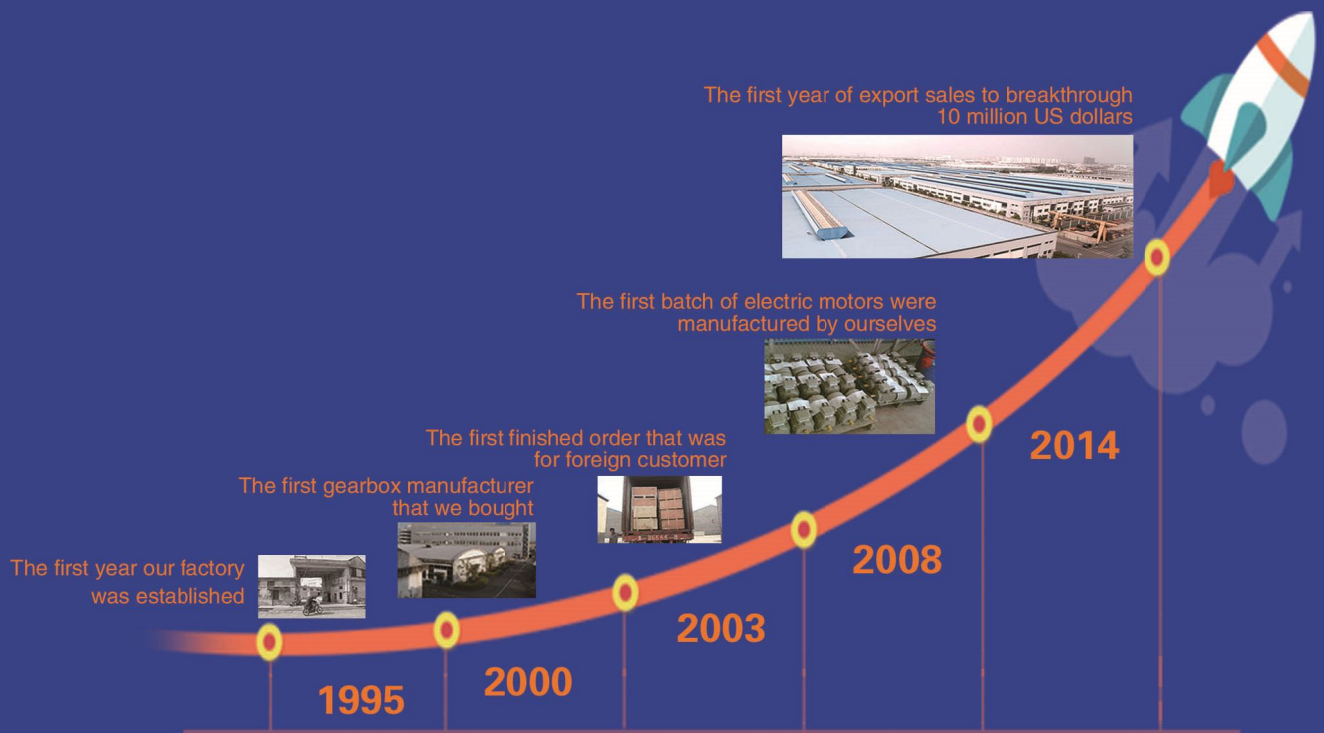
注:GKA/GKAF/GKF/GKAZ/GKH/GKHF/GKHZ 均可采用串联组合机型

Note: Combined type is also available for type GKA/GKAF/GKAZ/GKH/GKHF/GKHZ.

注:电机需方配或配特殊电机时需加联接法兰(见附录 D)

Note: When equipping the user's motor or the special one, the flange is required to connected.(Please see appendix D)

Always chase the first since 1995



Tel:+86-535-6330966

Mobile:+86-18563806647

E-mail: info@sogears.com

Viber/Line/Whatsapp/Wechat: 008618563806647

Web: www.sogears.com(Skype: qingdao411)

Headquarters Address: Wujin, Changzhou City, Jiangsu Province,China